

BENCHMADE

2009 PROFESSIONAL CATALOG





FAILURE IS NOT AN OPTION.

THE LIFE OF AN ARMED PROFESSIONAL IS NOT FOR EVERYONE. YOUR COMPASS ONLY POINTS FORWARD, GUIDED BY A SPIRITED WILL TO SERVE, AND DRIVEN BY UNDAUNTED DEDICATION TO PROTECT AT ALL COSTS. IT TAKES A UNIQUE INDIVIDUAL TO PUT IT ALL ON THE LINE SO THAT ANOTHER MAY HAVE THE FREEDOM TO CHOOSE. FOR YOU, IT IS NOT ABOUT THE GLORY, IT GOES MUCH DEEPER THAN THAT. ONLY YOU CAN UNDERSTAND THE TRUE MEANING OF FAILURE IS NOT AN OPTION. ANYTHING LESS JUST WON'T CUT IT.

BENCHMADE®

Benchmade recognizes the fact that we get to go home at night thanks to you, and those that have served before you. Most of us will never have walked in your shoes. That is why we dedicate our every effort to make the best tools we possibly can for you. Know that each is built with you in mind.

We will never forget.

NOTICE: PROCUREMENT OF AUTOMATIC KNIVES IS REGULATED BY LAW. NO EXCEPTIONS WILL BE MADE. IT IS THE PURCHASERS RESPONSIBILITY TO CHECK THE CURRENT LEGAL PERMISSIBILITY WITHIN YOUR STATE AND/OR LOCALITY.

Although automatic opening knives are not subject to prohibitive legislation in Oregon*, many states are not so fortunate. Federal law prohibits shipment of automatic knives across state lines, with the following exceptions: (1) to civilian or Armed Forces supply or procurement officers and employees of the Federal Government ordering, procuring, or purchasing such knives in connection with the activities of the Federal Government; (2) to supply or procurement officers of the National Guard, the Air National Guard, or militia of the State, Territory or the District of Columbia ordering, procuring, or purchasing such knives in connection with the activities of such organization; (3) to supply or procurement officers or employees of the municipal government of the District of Columbia or of the government of any State or Territory; (4) to manufacturers of such knives or bona fide dealers therein in connection with any shipment made pursuant of an order from any person designated in paragraphs (1), (2), and (3).

*Not to be carried concealed.

2009 PRODUCT MATRIX

Visit benchmade.com for up-to-date information on current product availability.



AUTOMATICS

pgs 5-11



FOLDERS

pgs 13-23



FOLDERS (CON'T)

FIXED BLADES

pgs 25-29

HOOKS

pgs 30-33

TECHINDEX

What Makes a Great Knife a Better Tool?	2
Forward Thinking	37
Tested Tougher	38
Mechanisms	39
Materials	42
Extras	44
Attachment	45
Service / Warranty	46
Feature Codes / Training	48

NSN/GSA

NSN/GSA Procurement.	3	550SBKHG	
500OSBK Auto-Presidio®		NSN 5110-01-452-2215	18
NSN 4220-01-546-0478	5	550SHG	
140SBK Nimravus®		NSN 5110-01-451-0707	18
NSN 1095-01-466-8569	27	912SBKD2	
7BLKW Hook		NSN 5110-01-432-6191	23
NSN 4240-01-543-9618	31		
8BLKW Hook			
NSN 4240-01-568-3219	32		

WHAT MAKES A GREAT KNIFE A BETTER TOOL?

Not all knives are created equal. **NOT EVEN CLOSE!**

Considering what you do for a living, can you really afford to not know all the features and facts? Too often, professionals like you take their cutting tool choice for granted and consequently have performance issues down the road. These can be as minor as a simple inconvenience or as major as a total tool failure.

Professionals need to seek out reliable information on their knives through user testimonials, available technical data, and reputable product reviews. The demanding world in which you work presents many challenges, some predictable and some not. When it comes to your choice of cutting tools, make sure you're getting the best tool for the job by considering mechanism, materials and the manufacturing process.

IT'S NOT JUST A KNIFE. IT'S A BENCHMADE.

To make certain that you get the Benchmade knife you want, be sure to order using the correct NSN, GSA, or other procurement product code. Benchmade knows there is nothing stronger than the United States Military and Law Enforcement Professionals. This is why we build our knives to exceed your standards and expectations.

Every effort is made to ensure the accuracy of the prices and information in this catalog. However, we reserve the right to rectify any and all errors prior to any sale transactions. This catalog is produced annually.

Prices shown are at suggested retail (U.S. currency). Actual purchase prices may vary. All pricing and product specifications are subject to possible change without prior notice.

MECHANISM

Can the blade be opened and closed easily and with one hand? Will it open and close intuitively without having to focus on the task? Can the blade be opened in a struggle or within physical limitations? Does it stay open or closed reliably? Is the mechanism proven to enhance function, or merely manufacturer sales?

MATERIALS

Do the materials used enhance performance or offer improved levels of performance over others? Are the materials strong and durable offering added value? Is the blade steel tough and how long will the edge stay sharp? Are the materials used truly what the knife manufacturer says they are?

MANUFACTURING

Does it feel solid and well-built? Does the blade wobble? Do all of the components fit together properly? Does the manufacturer offer a warranty and stand behind its products?

NSN/GSA PROCUREMENT

For those of you currently active in the armed forces or law enforcement sectors and interested in purchasing a Benchmade knife, here are the options available to you for procurement.

- Visit our Dealer Locator at BENCHMADE.COM and enter your zip code to find your nearest dealer.
- Purchase certain Benchmade knives through the National Stocking System. (See below)
- Benchmade knives are offered by General Services Administration Federal Supply Service. Visit GSAADVANTAGE.GOV.
- Email us at military@benchmade.com and you will be in direct contact with Benchmade's Fed/Gov Sales Department. Please be ready to email or fax your active military or law enforcement ID information to Benchmade and we will do our best to provide you with the tools you want, and most importantly deserve.



5000SBK AUTO-PRESIDIO®
NSN 4220-01-546-0478
page 5



550SBKHG
NSN 5110-01-452-2215
page 18



550SHG
NSN 5110-01-451-0707
page 18



912SBKD2
NSN 5110-01-432-6191
page 23



140SBK NIMRAVUS®
NSN 1095-01-466-8569
page 27



7BLKW HOOK
NSN 4240-01-543-9618
page 31



8BLKW HOOK
NSN 4240-01-568-3219
page 32

AUTOMATICS



NSNPRODUCT

5000 AUTO-PRESIDIO®

5300 AUTO-PRESIDIO® TANTO

Pardue Design — Made in the U.S.A.



- ▶ Patented Bi-Directional Grip Pattern Provides Superior Grip
- ▶ Non-Reflective Components for Tactical Applications
- ▶ Automatic AXIS® Allows for Ambidextrous Actuation

Sheath front



Pouch/sheath is MOLLE® compatible. (included w/ knife)

Sheath back w/ malice clip



5300SBK

5000SBK



5000T (RED HANDLE COLOR)

Note: Also available in non-auto folder (see page 16).

LOCKING MECHANISM	Auto AXIS Pull Release with Integrated Safety
BLADE STYLE & OPENER	5000 Drop-Point; 5300 Tanto; AXIS Button Release w/ Auto Open
BLADE STEEL	154CM Stainless Steel (58-61HRC)
HANDLE SPECS	Black Anodized; Machined 6061 T-6 Aluminum; Double 420J Liners; Movable Steel Carry-Clip
SHEATH	MOLLE® Compatible Soft Sheath
MSRP	5000 \$235, 5000SBK \$250, 5000T \$140, 5300 \$235, 5300SBK \$250

BLADE LENGTH	3.47" (8.81cm)
BLADE THICKNESS	0.125" (3.175mm)
OPEN	8.25" (20.96cm)
CLOSED	4.87" (12.37cm)
WEIGHT	5.60oz (158.76g)
HANDLE THICKNESS	0.64" (1.63cm)
COUNTRY OF ORIGIN	USA

5000SBK NSN 4220-01-546-0478

3300/3310 INFIDEL®

McHenry design — Made in the U.S.A.

The single-edged blade variant updates what is quickly becoming a Benchmade classic.

- ▶ Ambidextrous Function
- ▶ Overall Rugged Construction
- ▶ Double Action Slide Release
- ▶ Integrated Cleaning Port
- ▶ Deep Pocket Carry-Clip



LOCKING MECHANISM	Double Action Out-the-Front Auto
BLADE STYLE & OPENER	Double Edge Spear-Point or Utility Drop-Point; Ambidextrous Thumb-Slide
BLADE STEEL	3300: D2 Tool Steel (60-62HRC); 3310: S30V Premium Stainless Steel (58-60HRC)
HANDLE SPECS	Black Anodized, Machined 6061 T-6 Aluminum, Removable Deep Pocket Carry-Clip
SHEATH	MOLLE Compatible Soft Sheath
MSRP	3300 \$450, 3300BK \$465, 3310 \$450; 3310S \$450; 3310BK \$465; 3310SBK \$465

	3300	3310
BLADE LENGTH	3.91" (9.93cm)	3.95" (9.9 cm)
BLADE THICKNESS	0.118" (2.99mm)	0.118" (2.99 mm)
OPEN	8.91" (22.63cm)	8.95" (22.7 cm)
CLOSED	5.00" (12.70cm)	5.00" (12.70 cm)
WEIGHT	4.90oz (138.91g)	4.90oz (128.91g)
HANDLE THICKNESS	0.59" (1.49cm)	0.59" (1.49 cm)
COUNTRY OF ORIGIN	USA	USA

9051/9052AFO II

Benchmade design — Made in the U.S.A.

NEW

Based on the 9050 AFO, the 9051 AFO II advances a proven tool used in all branches of the Armed Forces. The redesigned AFO incorporates a stronger more reliable lock, open back design, larger button and steel pommel.

- ▶ New and Improved Push Button Lock is more than 30% Stronger than Previous Version
- ▶ Larger Button Release and Increased Finger Guard
- ▶ Faster and Stronger Spring Mechanism
- ▶ Open Backspacer Design for Easy Maintenance
- ▶ New Steel Glass Breaker on Butt End



LOCKING MECHANISM Button Auto with Integrated Safety
BLADE STYLE & OPENER 9051 Drop-Point; 9052 Tanto; Auto Open
BLADE STEEL 154CM Stainless Steel (58-61HRC)
HANDLE SPECS 6061T6 Aluminum, Open Backspacer, Black Hard Anodize;
Reversible Steel Carry Clip
MSRP 9051 \$230, 9051S \$230, 9051BK \$245, 9051SBK \$245,
9052 \$230, 9052S \$230, 9052BK \$245, 9052SBK \$245

BLADE LENGTH 3.56" (9.0cm)
BLADE THICKNESS 0.125" (3.175mm)
OPEN 8.51" (21.6cm)
CLOSED 4.95" (12.6cm)
WEIGHT 5.8oz (164.42g)
HANDLE THICKNESS 0.60" (15.23mm)
COUNTRY OF ORIGIN USA

5220 AUTO PRESIDIO® ULTRA

5270 MINI-AUTO PRESIDIO® ULTRA



NEW

Pardue design — Made in U.S.A.

This tactical, lightweight folder delivers strength and speed in any situation.

- ▶ Molded Textured Handles
- ▶ Unparalleled AXIS Function
- ▶ 440C Hollow Ground Blade Steel
- ▶ Drop-Point Blade



Note: Also available in non-auto folder (see page 15)

MODEL	5220
LOCKING MECHANISM	Auto AXIS Pull Release With Integrated Safety
BLADE STYLE & OPENER	Drop-Point; AXIS Button Release with Auto Open
BLADE STEEL	440C Stainless Steel (58-60HRC)
HANDLE SPECS	Noryl GTX with EDM Finish, Reversible Tip-Up Clip
MSRP	5220 \$200, 5220S \$200, 5220BK \$215, 5220SBK \$215

BLADE LENGTH	3.47" (8.81cm)
BLADE THICKNESS	0.125" (3.175mm)
OPEN	8.25" (20.96cm)
CLOSED	4.87" (12.37cm)
WEIGHT	4.8oz (136.07g)
HANDLE THICKNESS	0.64" (1.63cm)
COUNTRY OF ORIGIN	USA

MODEL	5270
LOCKING MECHANISM	Auto AXIS Pull Release With Integrated Safety
BLADE STYLE & OPENER	Drop-Point; AXIS Button Release with Auto Open
BLADE STEEL	440C Stainless Steel (58-60HRC)
HANDLE SPECS	Noryl GTX with EDM Finish, Reversible Tip-Up Clip
MSRP	5270 \$180, 5270S \$180, 5270BK \$195, 5270SBK \$195

BLADE LENGTH	2.97" (7.54cm)
BLADE THICKNESS	0.115" (2.92mm)
OPEN	7.12" (18.08cm)
CLOSED	4.15" (10.54cm)
WEIGHT	3.1oz (87.88g)
HANDLE THICKNESS	0.50" (1.26cm)
COUNTRY OF ORIGIN	USA

6150 MINI-AUTO RUKUS®

Made in the U.S.A.



- ▶ Drop-Point Blade Shape
- ▶ Components are Non-Reflective
- ▶ Auto-AXIS® Opener Mechanism
- ▶ Finger Guard/Grooves Maximize Grip
- ▶ Integrated Safety



6150SBK

LOCKING MECHANISM Auto AXIS Pull Release with Integrated Safety
BLADE STYLE & OPENER Utility Drop-Point, AXIS Button Release w/Auto Open
BLADE STEEL S30V Stainless Steel (58-60HRC)
HANDLE SPECS Black G10 and Olive Micarta Scales, Double Thick 410 Stainless Liners, Movable Carry-Clip
MSRP 6150 \$260, 6150SBK \$275

BLADE LENGTH 3.40" (8.63cm)
BLADE THICKNESS 0.121" (3.07mm)
OPEN 8.50" (21.59cm)
CLOSED 5.10" (12.95cm)
WEIGHT 5.95oz (168.11g)
HANDLE THICKNESS 0.65" (1.65cm)
COUNTRY OF ORIGIN USA

5500 MINI-AUTO PRESIDIO®

Pardue design — Made in the U.S.A.



- ▶ Patented Bi-Directional Handle Tread Design
- ▶ All Components are Non-Reflective
- ▶ Drop-Point Blade Shape
- ▶ Integrated Safety



Note: Also available in non-auto folder (see page 17).

LOCKING MECHANISM	Auto AXIS Pull Release with Integrated Safety
BLADE STYLE & OPENER	Drop-Point; AXIS Button Release w/Auto Open
BLADE STEEL	154CM Stainless Steel (58-61HRC)
HANDLE SPECS	Black Anodized Machined 6061 T-6 Aluminum; Double 420J Liners; Movable Carry-Clip
MSRP	5500 \$210, 5500S \$210, 5500SBK \$225

BLADE LENGTH	2.97" (7.54cm)
BLADE THICKNESS	0.115" (2.92mm)
OPEN	7.12" (18.08cm)
CLOSED	4.15" (10.54cm)
WEIGHT	3.70oz (104.89g)
HANDLE THICKNESS	0.50" (1.26cm)
COUNTRY OF ORIGIN	USA

9100 AUTO STRYKER®

9500 MINI-AUTO STRYKER®

Benchmade design — Made in the U.S.A.

- ▶ Non-Reflective Components for Tactical Applications
- ▶ Tanto Blade Shape has Piercing Power
- ▶ Thick Blade Spine Absorbs Shock, Enhances Tip Strength



LOCKING MECHANISM	Button Auto with Integrated Safety
BLADE STYLE & OPENER	Tanto; Auto Open
BLADE STEEL	154CM Stainless Steel (58-61HRC)
HANDLE SPECS	Machined 6061 T-6 Aluminum; Movable Steel Carry-Clip; All Black Anodized
MSRP	9500SBK \$205, 9100SBK \$245

	9100	9500
BLADE LENGTH	3.70" (9.40cm)	2.95" (7.49cm)
BLADE THICKNESS	0.120" (3.05mm)	0.100" (2.54mm)
OPEN	8.25" (20.96cm)	7.21" (18.31cm)
CLOSED	4.68" (11.89cm)	4.26" (10.82cm)
WEIGHT	3.90oz (110.56g)	2.90oz (82.21g)
HANDLE THICKNESS	0.50" (1.27cm)	0.47" (1.19cm)
COUNTRY OF ORIGIN	USA	USA

2550 MINI REFLEX™

Benchmade design — Made in the U.S.A.

- ▶ Large Finger Grooves for Added Protection
- ▶ Drop-Point Blade Shape
- ▶ Carry-Clip Placement Allows for Discreet Carry



LOCKING MECHANISM	Button Auto with Integrated Safety
BLADE STYLE & OPENER	Utility Drop-Point; Auto Open
BLADE STEEL	154CM Stainless Steel (58-61HRC)
HANDLE SPECS	Machined 6061 T-6 Aluminum; Movable Steel Carry-Clip; All Black Anodized
MSRP	2550 \$190, 2550SBK \$205

BLADE LENGTH	3.16" (8.03cm)
BLADE THICKNESS	0.100" (2.54mm)
OPEN	7.32" (18.59cm)
CLOSED	4.16" (10.57cm)
WEIGHT	2.70oz (76.54g)
HANDLE THICKNESS	0.47" (1.19cm)
COUNTRY OF ORIGIN	USA

3550

Pardue design — Made in the U.S.A.

- ▶ Slim Profile Makes for Ease of Carry
- ▶ Non-Reflective Components for Tactical Applications
- ▶ Spear-Point Blade Offers Enhanced Tip Qualities



LOCKING MECHANISM	Button Auto with Integrated Safety
BLADE STYLE & OPENER	Spear-Point; Auto Open
BLADE STEEL	154CM Stainless Steel (58-61HRC)
HANDLE SPECS	Machined 6061 T-6 Aluminum; Movable Steel Carry-Clip; All Black Anodized
MSRP	3550 \$190, 3550SBK \$205

BLADE LENGTH	2.98" (7.57cm)
BLADE THICKNESS	0.090" (2.29mm)
OPEN	7.10" (18.03cm)
CLOSED	4.10" (10.41cm)
WEIGHT	2.80oz (79.38g)
HANDLE THICKNESS	0.47" (1.19cm)
COUNTRY OF ORIGIN	USA

FOLDERS



580BARRAGE™ 585MINI-BARRAGE™

Osborne design — Made in the U.S.A.



NEW

For the first time ever, Benchmade's best selling AXIS lock gets a boost. These spring assisted models combine speed and strength in one complete package.

- ▶ Strongest Assist Locking Mechanism on the Market
- ▶ Ambidextrous Function
- ▶ Two Sizes Available
- ▶ Safety for Both Open and Closed Position



LOCKING MECHANISM	AXIS-ASSIST Lock with Integrated Safety
BLADE STYLE & OPENER	Drop-Point, Ambidextrous Thumb-Studs
BLADE STEEL	154CM Stainless Steel (58-61HRC)
HANDLE SPECS	Valox; Double 420J Stainless Steel Liners; Reversible Bright Split Arrow Clip
MSRP	580 \$130, 580S \$130, 580SBK \$145, 585 \$120, 585S \$120, 585SBK \$135

	580	585
BLADE LENGTH	3.60" (9.1cm)	2.91" (7.4cm)
BLADE THICKNESS	0.121" (3.07mm)	0.100" (2.54mm)
OPEN	8.35" (21.2cm)	6.91" (17.6cm)
CLOSED	4.75" (12.1cm)	4.00" (10.2cm)
WEIGHT	4.20oz (119.07g)	3.40oz (96.3g)
HANDLE THICKNESS	0.65" (1.65cm)	0.57" (1.45cm)
COUNTRY OF ORIGIN	USA	USA

950 RIFT®

Osborne design — Made in the U.S.A.



- ▶ Patented AXIS® Mechanics
- ▶ One-Hand Ambidextrous Function
- ▶ Heavily Milled G10 for Tactile Grip
- ▶ Tough 154CM Reverse Tanto Blade



NEW



LOCKING MECHANISM	AXIS Lock
BLADE STYLE & OPENER	Reverse Tanto, Ambidextrous Thumb-Stud
BLADE STEEL	154CM Stainless Steel (58-61HRC)
HANDLE SPECS	Black/Charcol Layered G10 Scales; Double 420J Steel Liners; Removable Carry-Clip
MSRP	950 \$180, 950SBK \$195, 950-1 \$180, 950SBK-1 \$195

BLADE LENGTH	3.67" (9.32cm)
BLADE THICKNESS	0.114" (2.90mm)
OPEN	8.27" (21.00cm)
CLOSED	4.60" (11.68cm)
WEIGHT	4.80oz (136.08g)
HANDLE THICKNESS	0.56" (1.42cm)
COUNTRY OF ORIGIN	USA

522PRESIDIO® ULTRA 527MINI-PRESIDIO® ULTRA

Pardue design — Made in U.S.A.



NEW

This tactical, lightweight folder delivers strength and speed in any situation.

- ▶ Molded Textured Handles
- ▶ Unparalleled AXIS Function
- ▶ 440C Hollow Ground Blade Steel
- ▶ Drop-Point Blade



522SBK

527SBK

MODEL 522
 LOCKING MECHANISM AXIS Lock
 BLADE STYLE & OPENER Hollow Ground Drop-Point, Ambidextrous Thumb-Studs
 BLADE STEEL 440C Stainless Steel (58-60HRC)
 HANDLE SPECS Noryl GTX with EDM Finish, Reversible Tip-Up Clip
 MSRP 522 \$100, 522S \$100, 522BK \$115, 522SBK \$115

BLADE LENGTH 3.47" (8.81cm)
 BLADE THICKNESS 0.125" (3.175mm)
 OPEN 8.25" (20.96cm)
 CLOSED 4.87" (12.37cm)
 WEIGHT 4.8oz (136.07g)
 HANDLE THICKNESS 0.64" (1.63cm)
 COUNTRY OF ORIGIN USA

MODEL 527
 LOCKING MECHANISM AXIS Lock
 BLADE STYLE & OPENER Hollow Ground Drop-Point, Ambidextrous Thumb-Studs
 BLADE STEEL 440C Stainless Steel (58-60HRC)
 HANDLE SPECS Noryl GTX with EDM Finish, Reversible Tip-Up Clip
 MSRP 527 \$90, 527S \$90, 527BK \$105, 527SBK \$105

BLADE LENGTH 2.97" (7.59cm)
 BLADE THICKNESS 0.115" (2.92mm)
 OPEN 7.12" (18.08cm)
 CLOSED 4.15" (10.54cm)
 WEIGHT 3.1oz (87.88g)
 HANDLE THICKNESS 0.55" (1.38cm)
 COUNTRY OF ORIGIN USA

520 PRESIDIO®

523 PRESIDIO® TANTO

Pardue design — Made in the U.S.A.



- ▶ One-Hand Ambidextrous Function
- ▶ Multi-Directional Positive Grip
- ▶ Fully-Adjustable Blade Pivot



523SBK

520SBK



520T (RED HANDLE COLOR)

LOCKING MECHANISM	AXIS Lock
BLADE STYLE & OPENER	520 Drop-Point; 523 Tanto; Ambidextrous Thumb-Studs
BLADE STEEL	154CM Stainless Steel (58-61HRC)
HANDLE SPECS	Black Anodized; Machined 6061 T-6 Aluminum; Double 420J Liners; Movable Steel Carry-Clip
MSRP	520 \$180, 520SBK \$195, 520T (440C STEEL) \$120, 523 \$180, 523SBK \$195

BLADE LENGTH	3.47" (8.81cm)
BLADE THICKNESS	0.125" (3.175mm)
OPEN	8.25" (20.96cm)
CLOSED	4.87" (12.37cm)
WEIGHT	5.75oz (163.00g)
HANDLE THICKNESS	0.64" (1.625cm)
COUNTRY OF ORIGIN	USA

525 MINI PRESIDIO®

Pardue design — Made in the U.S.A.



- ▶ Machined Aluminum Handles with Multi-Directional Positive Grip
- ▶ Optimally Sized for Versatile Carry
- ▶ Movable Carry-Clip



LOCKING MECHANISM	AXIS Lock
BLADE STYLE & OPENER	Drop-Point, Ambidextrous Thumb-Studs
BLADE STEEL	154CM Stainless Steel (58-61HRC)
HANDLE SPECS	Black Anodized; Machined 6061 T-6 Aluminum; Double 420J Liners; Movable Steel Carry-Clip
MSRP	525 \$165, 525S \$165, 525SBK \$180

BLADE LENGTH	2.97" (7.59cm)
BLADE THICKNESS	0.115" (2.92mm)
OPEN	7.12" (18.08cm)
CLOSED	4.15" (10.54cm)
WEIGHT	3.70oz (104.89g)
HANDLE THICKNESS	0.545" (13.84mm)
COUNTRY OF ORIGIN	USA

610 RUKUS® 615 MINI-RUKUS®

Made in the U.S.A.



- ▶ One-Hand Ambidextrous Function
- ▶ Profiled Handle Shape for Solid Grip
- ▶ Drop-Point Blade



LOCKING MECHANISM	AXIS Lock
BLADE STYLE & OPENER	Utility Drop-Point, Ambidextrous Thumb-Studs
BLADE STEEL	S30V Premium Stainless Steel (58-60HRC)
HANDLE SPECS	Black 610 and Olive Drab Micarta Scales, Double 410 Stainless Steel Liners, Movable Black Stainless Steel Carry-Clip
MSRP	610 \$260, 610SBK \$275, 615 \$230, 615S \$230, 615SBK \$245

	610	615
BLADE LENGTH	4.25" (10.80cm)	3.40" (8.63cm)
BLADE THICKNESS	0.150" (3.82mm)	0.121" (3.07mm)
OPEN	10.20" (25.91cm)	8.50" (21.59cm)
CLOSED	5.95" (15.12cm)	5.10" (12.95cm)
WEIGHT	7.86oz (222.83g)	5.90oz (167.26g)
HANDLE THICKNESS	0.79" (2.0cm)	0.65" (1.65cm)
COUNTRY OF ORIGIN	USA	USA

NSNPRODUCT.

550HG GRIPTILIAN®

555HG MINI-GRIPTILIAN®

Pardue design — Made in the U.S.A.



- ▶ Two Sizes Available
- ▶ Lightweight Molded Handle
- ▶ Hollow Ground Blade
- ▶ Multiple Configurations Available
- ▶ One Hand Ambidextrous Function



550HG

555HG



550T (RED HANDLE COLOR)



550SBKHGSD

LOCKING MECHANISM	AXIS Lock
BLADE STYLE & OPENER	Hollow Ground Modified Sheepfoot; Ambidextrous Thumb-Hole
BLADE STEEL	154CM Stainless Steel (58-61HRC)
HANDLE SPECS	Glass Fill Noryl GTX®/Color Valox®; Double 410 Steel Liners; Reversible Steel Carry-Clip
MSRP	550HG \$100, 550SHG \$100, 550SBKHG \$115, 550SBKHGSD \$115, 550SBKHGSDN \$120, 550T (440C Stainless Steel) \$75, 555HG \$90, 555SHG \$90, 555SBKHG \$105, 555SBKHGSD \$105, 555SHG-BLU \$90, 555SHG-YEL \$90, 555HG-PNK \$90, 555SHG-PNK \$90

	550	555
BLADE LENGTH	3.45" (8.76cm)	2.91" (7.38cm)
BLADE THICKNESS	0.115" (2.92mm)	0.100" (2.54mm)
OPEN	8.07" (20.50cm)	6.78" (17.21cm)
CLOSED	4.62" (11.73cm)	3.87" (9.82cm)
WEIGHT	3.25oz (92g)	2.56oz (73g)
HANDLE THICKNESS	0.64" (1.63cm)	0.51" (1.30cm)
COUNTRY OF ORIGIN	USA	USA

550SHG NSN 5110-01-451-0707
550SBKHG NSN 5110-01-452-2215

551 GRIPTILIAN®

556 MINI-GRIPTILIAN®

Pardue design — Made in the U.S.A.



Our popular Griptilian line-up gets an additional color as orange handles are added to the mix. A perfect tool for firefighters and EMTs.

- ▶ Two Sizes Available
- ▶ Ambidextrous Thumb-Stud Opener
- ▶ Grip Textured Molded Handle
- ▶ Premium AXIS® Function
- ▶ Multiple Configurations Available



551T (RED HANDLE COLOR)



551-ORG - NEW!



551SBKSN

LOCKING MECHANISM	AXIS Lock
BLADE STYLE & OPENER	Modified Drop-Point; Ambidextrous Thumb-Studs
BLADE STEEL	154CM Stainless Steel (58-61HRC)
HANDLE SPECS	Glass Fill Noryl GTX®/Color Valox®; Double 410 Steel Liners; Reversible Steel Carry-Clip
MSRP	551 \$100, 551S \$100, 551SBK \$115, 551SBKOD \$115, 551SBKSN \$120, 551-ORG \$100, 551S-ORG \$100, 551T (440C Stainless Steel) \$75, 556 \$90, 556S \$90, 556SBK \$105, 556SBKOD \$105, 556-BLU \$90, 556S-BLU \$90, 556-YEL \$90, 556S-YEL \$90, 556-PNK \$90, 556S-PNK \$90

	551	556
BLADE LENGTH	3.40" (8.64cm)	2.91" (7.38cm)
BLADE THICKNESS	0.115" (2.92mm)	0.100" (2.54mm)
OPEN	8.07" (20.50cm)	6.78" (17.21cm)
CLOSED	4.62" (11.73cm)	3.87" (9.82cm)
WEIGHT	3.82oz (108.39g)	2.56oz (73g)
HANDLE THICKNESS	0.64" (1.63cm)	0.51" (1.30cm)
COUNTRY OF ORIGIN	USA	USA

553 GRIPTILIAN® TANTO

557 MINI-GRIPTILIAN® TANTO



Pardue design — Made in the U.S.A.

- ▶ Two Sizes Available
- ▶ Enhanced Blade-Tip Strength Design
- ▶ One-Hand Ambidextrous Function
- ▶ Stainless Steel Liners
- ▶ Movable Carry-Clip



LOCKING MECHANISM	AXIS Lock	553	557
BLADE STYLE & OPENER	Tanto; Ambidextrous Thumb-Studs	BLADE LENGTH	3.40" (8.64cm) 2.91" (7.38cm)
BLADE STEEL	154CM Stainless Steel (58-61HRC)	BLADE THICKNESS	0.115" (2.92mm) 0.100" (2.54mm)
HANDLE SPECS	Glass Fill Noryl GTX®/Color Valox®; Double 410 Steel Liners; Reversible Steel Carry-Clip	OPEN	8.07" (20.50cm) 6.78" (17.21cm)
MSRP	553 \$100, 553S \$100, 553SBK \$115, 553SBKOD \$115, 553SBKSN \$120, 557 \$90, 557S \$90, 557SBK \$105, 557SBKOD \$105, 557SBKSN \$110	CLOSED	4.62" (11.73cm) 3.87" (9.82cm)
		WEIGHT	3.82oz (108.39g) 2.67oz (75.70g)
		HANDLE THICKNESS	0.64" (1.63cm) 0.51" (1.30cm)
		COUNTRY OF ORIGIN	USA USA

710

McHenry & Williams design — Made in the U.S.A.



- ▶ Reverse Curve Blade Shape
- ▶ Larger Sized Folder
- ▶ Machined G10 Handle Scales



LOCKING MECHANISM	AXIS Lock
BLADE STYLE & OPENER	Modified Clip-Point; Dual Thumb Stud
BLADE STEEL	D2 Tool Steel (60-62HRC)
HANDLE SPECS	Black G10 Scales, Double 410 Stainless Steel Liners; Movable Steel Carry-Clip
MSRP	710DZ \$165, 710SBKDZ \$180

BLADE LENGTH	3.90" (9.90cm)
BLADE THICKNESS	0.115" (2.92mm)
OPEN	8.80" (22.34cm)
CLOSED	4.90" (12.44cm)
WEIGHT	4.50oz (128g)
HANDLE THICKNESS	0.48" (1.22cm)
COUNTRY OF ORIGIN	USA

530

Pardue design — Made in the U.S.A.



- ▶ Less Than 2-Ounce Weight
- ▶ Ultra-Slim Profile
- ▶ One-Hand Ambidextrous Function
- ▶ Movable Carry-Clip



LOCKING MECHANISM	AXIS Lock
BLADE STYLE & OPENER	Modified Spear-Point; Ambidextrous Thumb-Studs
BLADE STEEL	154CM Stainless Steel (58-61HRC)
HANDLE SPECS	Noryl GTX® 830 Scales; Double 420J Liners; Removable Steel Carry-Clip
MSRP	530 \$100, 530S \$100, 530SBK \$115

BLADE LENGTH	3.25" (8.25cm)
BLADE THICKNESS	0.09" (2.28mm)
OPEN	7.42" (18.85cm)
CLOSED	4.17" (10.59cm)
WEIGHT	1.88oz (53.28g)
HANDLE THICKNESS	0.37" (0.93cm)
COUNTRY OF ORIGIN	USA

760BKLF1™

Lum design — Made in the U.S.A.

NEW

Legendary designer Bob Lum's legacy continues with this rock-steady Ti Monolock.

- ▶ Dual Titanium Handles
- ▶ Flawless Titanium Monolock Function
- ▶ Premium Grade Blade Steel



LOCKING MECHANISM Monolock
BLADE STYLE & OPENER Tanto Blade; Ambidextrous Thumb-Studs
BLADE STEEL CPM-M4 Tool Steel (60-62HRC)
HANDLE SPECS Sandblasted Finish; Fixed Location, Tip-Down Carry Clip
MSRP 760BK \$270; 760SBK \$270

BLADE LENGTH 4.00" (10.2cm)
BLADE THICKNESS 0.15" (3.81mm)
OPEN 9.00" (22.9cm)
CLOSED 5.00" (12.7)
WEIGHT 5.00oz (147.86g)
HANDLE THICKNESS 0.45" (1.14cm)
COUNTRY OF ORIGIN USA

NSNPRODUCT

912/913 NITROUS™ STRYKER®

906/907 MINI-NITROUS™ STRYKER®

Benchmade design — Made in the U.S.A.

- Superior Quality D2 Tool Steel
- Double Titanium Locking-Liners
- G10 Textured Handle Scales
- Two Blade Style Options
- Nitrous Assist Opening Mechanism



912SBKD2 NSN 5110-01-432-6191

LOCKING MECHANISM	Modified Locking-Liner w/Nitrous™
BLADE STYLE & OPENER	912 Modified Tanto; 913 Modified Spear-Point; Ambidextrous Thumb-Stud
BLADE STEEL	D2 Tool Steel (60-62HRC)
HANDLE SPECS	Black G10 Scales, Double Titanium Liners, Removable Steel Carry-Clip
MSRP	912D2 \$150, 912SBKD2 \$165, 913D2 \$150, 913SBKD2 \$165, 906D2 \$140, 906SBKD2 \$155, 907D2 \$140, 907SBKD2 \$155

	912/913	906/907
BLADE LENGTH	3.70" (9.0cm)	3.00" (7.62cm)
BLADE THICKNESS	0.125" (3.18mm)	0.100" (2.54mm)
OPEN	8.25" (20.96cm)	7.25" (18.42cm)
CLOSED	4.68" (11.89cm)	4.25" (10.80cm)
WEIGHT	3.80oz (108g)	2.80oz (79.38g)
HANDLE THICKNESS	0.48" (1.20cm)	0.45" (1.14cm)
COUNTRY OF ORIGIN	USA	USA

FIXED



150BKSN MARC LEE "GLORY" KNIFE

Killian design — Made in the U.S.A.

NEW

Designed by Eddie Killian and manufactured at Benchmade's production facility in Oregon City, OR, this knife honors the fearless actions and heroic behavior of Petty Officer Second Class Marc Alan Lee, the first Navy SEAL to be killed in Iraq since the war began in 2003.

Marc Lee was part of a dedicated Naval Special Warfare team fighting the insurgency in Iraq, supporting the U.S. in its efforts to bring peace and stability to that country. His valorous conduct, exemplary leadership, and extraordinary self-sacrifice for his fellow service members have earned him the highest respect and gratitude of his fellow SEALs, the Navy, and our Nation.

- ▶ Commemorative and Combat Ready
- ▶ Grooved Notches on Handle for Great Grip and Thumb Control
- ▶ A Portion of the Proceeds From Every Knife Sold Will be Donated to the Marc Lee Foundation – Visit Marcleefoundation.org for More Details



BLADE STYLE	Re-curve Blade, BK1
BLADE STEEL	154CM Stainless Steel (58-61HRC)
HANDLE SPECS	Machined G10 Handle Applied with Coyote Brown BK1
SHEATH	Multi-Function Soft Sheath, Nylon, MOLLE® Compatible
MSRP	150BKSN \$350

BLADE LENGTH	7.30" (18.5cm)
BLADE THICKNESS	0.19" (4.83mm)
OVERALL LENGTH	12.50" (31.8cm)
WEIGHT	10.10oz (286.33g)
HANDLE THICKNESS	0.75" (1.91cm)
SHEATH WEIGHT	4.20oz (119.06g)
COUNTRY OF ORIGIN	USA

147BK NIM CUB II™

Benchmade design — Made in the U.S.A.

NEW

This compact fixed blade was designed in collaboration with elite airborne military personnel.

- ▶ Deeper Fingerguard
- ▶ Lightweight Handle
- ▶ Ambidextrous Fitted Sheath and Parachutist Retention Strap



BLADE STYLE	Modified Tanto Blade
BLADE STEEL	154CM Stainless Steel (58-61HRC)
HANDLE SPECS	Noryl GTX; EDM Textured Finish
SHEATH	Molded Nylon Friction Fit with Secondary Snap Closure, MOLLE® Compatible
MSRP	147BK \$135, 147SBK \$135

BLADE LENGTH	3.5" (8.9cm)
BLADE THICKNESS	0.115" (2.92mm)
OVERALL LENGTH	7.87" (20.0cm)
WEIGHT	3.2oz (90.72g)
HANDLE THICKNESS	0.59" (1.49cm)
SHEATH WEIGHT	1.10oz (31.18g)
COUNTRY OF ORIGIN	USA

NSN PRODUCT

140 NIMRAVUS®

141 NIMRAVUS® TANTO

Benchmade design — Made in the U.S.A.

- ▶ Single Piece Full-Tang Drop-Point or Modified Tanto Blade Shape
- ▶ Large Finger Groove for Added Control
- ▶ Machined Aluminum Handle Scales
- ▶ Multi-Feature Soft Sheath with MOLLE® Capability



OTHER SHEATH OPTIONS
AVAILABLE SEPARATELY,
SEE PAGE 45.



140/141 SBKSN

140/141 SBK-ADC



140/141 comes standard
with black sheath

MODEL	140
BLADE STYLE	Drop-Point
BLADE STEEL	154CM Stainless Steel (58-61HRC)
HANDLE SPECS	Full-Tang; Anodized Machined 6061 T-6 Aluminum
SHEATH	Multi-Function Soft Sheath, Nylon, MOLLE® Compatible w/ Included Malice Clip
MSRP	140BK \$175, 140SBK \$175, 140SBKSN \$190, 140SBK-ADC \$190, 140T (440C Stainless Steel) \$130

BLADE LENGTH	4.50" (11.43cm)
BLADE THICKNESS	0.115" (2.92mm)
OVERALL LENGTH	9.45" (24.00cm)
WEIGHT	6.20oz (174.95g)
HANDLE THICKNESS	0.58" (1.48cm)
SHEATH WEIGHT	5.00oz (141.75g)
COUNTRY OF ORIGIN	USA

MODEL	141
BLADE STYLE	Modified Tanto
BLADE STEEL	154CM Stainless Steel (58-61HRC)
HANDLE SPECS	Full-Tang; Anodized Machined 6061 T-6 Aluminum
SHEATH	Multi-Function Soft Sheath, Nylon, MOLLE® Compatible w/ Included Malice Clip
MSRP	141BK \$175, 141SBK \$175, 141SBKSN \$190, 141SBK-ADC \$190

BLADE LENGTH	4.50" (11.43cm)
BLADE THICKNESS	0.115" (2.92mm)
OVERALL LENGTH	9.45" (24.00cm)
WEIGHT	5.86oz (161.13g)
HANDLE THICKNESS	0.58" (1.48cm)
SHEATH WEIGHT	5.00oz (141.75g)
COUNTRY OF ORIGIN	USA

140SBK NSN 1095-01-466-8569

158 CSKII

Benchmade design — Made in the U.S.A.

- ▶ Single Piece Full-Tang Clipped Blade Shape
- ▶ Thicker Blade Construction for Added Tool Strength
- ▶ Tactile Soft Surfacd Handle Grip Pattern
- ▶ Large Integrated Finger Guard Provides Safety
- ▶ Heavy Duty 1095 Carbon Steel Blade



BLADE STYLE	Combat/Survival Clip-Point
BLADE STEEL	Black Powder Coated 1095 Carbon Steel (57-60HRC)
HANDLE SPECS	Black Santoprene®
SHEATH	Multi-Function Black Leather Sheath, MOLLE® Compatible w/ Included Malice Clip
MSRP	158BK \$100, 158SBK \$100

BLADE LENGTH	6.00" (15.24cm)
BLADE THICKNESS	0.180" (4.57mm)
OVERALL LENGTH	10.75" (27.31cm)
WEIGHT	7.50oz (212.62g)
HANDLE THICKNESS	0.88" (2.03cm)
SHEATH WEIGHT	6.50oz (184.27g)
COUNTRY OF ORIGIN	USA

175 CBK

Benchmade design — Made in the U.S.A.

- ▶ Double Edged for Ease of Penetration
- ▶ Thick Blade Adds Heft, Durability and Strength
- ▶ Sheath Designed for Versatile Carry Options
- ▶ Large, Open Handle Provides Ample Gripping Space
- ▶ Vinyl Handle Coating



NOTE: Sheath features removable steel carry-clip to fit up to 2-inch duty belt.

BLADE STYLE	Double Edge Spear-Point with Chisel Ground Edge
BLADE STEEL	440C Stainless Steel (58-60HRC)
HANDLE SPECS	Vinyl Coating, Full-Tang
SHEATH	Molded Kydex®/Thermoplastic; Reversible Belt-Clip
MSRP	175BK \$90

BLADE LENGTH	2.50" (6.35cm)
BLADE THICKNESS	0.125" (3.175mm)
OVERALL LENGTH	5.47" (13.893cm)
WEIGHT	2.32oz (65.77g)
HANDLE THICKNESS	0.25" (6.35mm)
COUNTRY OF ORIGIN	USA

100SH20

Benchmade design — Made in the U.S.A.

- Super Corrosion Resistant Blade Steel
- Multi-Feature Molded Sheath
- Safer Rounded Blade Tip



BLADE STYLE Modified Sheepfoot
BLADE STEEL X15-TN Stainless Steel (58-60HRC)
HANDLE SPECS Full-Tang; Day-glow Yellow Kydex® or Black G10 Scales
SHEATH Molded Kydex®/Thermoplastic; Reversible Lash Tab Carry-Clip
MSRP 100SH20 \$150, 100SH20-BLK \$150

BLADE LENGTH 3.23" (8.32cm)
BLADE THICKNESS 0.114" (2.90mm)
OVERALL LENGTH 7.50" (19.50cm)
WEIGHT 4.00oz (128g)
HANDLE THICKNESS 0.58" (14.80cm)
SHEATH WEIGHT 5.00oz (141.75g)
COUNTRY OF ORIGIN USA

RESCUE HOOKS

5 RESCUE HOOK

Benchmade design — Made in the U.S.A.

- ▶ Unparalleled Rapid Response Cut Ability with a Safer Deployment Design
- ▶ Durable Edge Quality
- ▶ Multiple Carry Options Available

CUTS QUICKLY, SAFELY,
AND EFFECTIVELY WITH
PULLING MOTION



#981607F



#981608F

OPTIONAL LASH-TAB CARRY-CLIP
ASSEMBLY AVAILABLE SEPARATELY

STANDARD HARD SHEATH



STANDARD SOFT SHEATH

5BLK NOT AVAILABLE
WITH O2 WRENCH

5 AVAILABLE
WITH O2 WRENCH

5 BLK

5

BLADE STYLE	Hook
BLADE STEEL	440C Stainless Steel (58-60HRC)
HANDLE SPECS	Black Oxide or Satin Finish; Finger Hole 1.12" (2.85cm)
SHEATH	Soft: Nylon Webbing Pouch/Velcro® Closure; MOLLE® Compatible; Hard: Molded Delrin® Snap-Fit
MSRP	5 (Hard Sheath) \$30, 5 BLK (Hard Sheath) \$30, 5 W (Soft Sheath) \$30, 5 BLKW (Black Soft Sheath) \$30, 5 BLKWSN (Coyote Soft Sheath) \$30, 5 BLKWADC (Foliage Soft Sheath) \$30

BLADE OPENING	0.50" (1.27cm)
BLADE THICKNESS	0.115" (2.92mm)
OVERALL LENGTH	2.90" (7.37cm)
WEIGHT	1.20oz (34g)
HANDLE THICKNESS	0.26" (6.85mm)
SOFT SHEATH WT	0.60oz (17g)
HARD SHEATH WT	0.36oz (10.21g)
COUNTRY OF ORIGIN	USA

NSN PRODUCT
7BLKW HOOK

Benchmade design — Made in the U.S.A.

The 7HOOK is one of the trusty products in our line of professional grade hooks. Flak jackets, tubular webbing, leather boots, Kevlar, seatbelts, and para-cords are just some of the materials you can cut through quickly and reliably in an emergency situation. The 7HOOK is fast becoming a necessity, not an option.

- ▶ Larger Handle w/Vinyl Coating for Grip
- ▶ Multiple Grip Options for Specific Application
- ▶ Multiple Carry Options Available

**ONE CHANCE
 ONE CUT.**

7BLKW HOOK NSN 4240-01-543-9618

WWW.7HOOK.COM



BLADE STYLE	Hook
BLADE STEEL	7 440C Stainless Steel (58-60HRC); 7H20 X15-TN Stainless Steel (58-60HRC)
HANDLE SPECS	Black Powder Coat Finish w/Grit Dipped Vinyl Handle Coating
SHEATH	Nylon Webbing Pouch w/Velcro® Closure; Retention Band; MOLLE® Compatible
MSRP	7BLKW (Black Sheath) \$30, 7BLKWADC (Foliage Green Sheath) \$30, 7BLKWSN (Coyote Brown Sheath) \$30, 7H20W \$50, 7BH20W \$50

BLADE OPENING	0.50" (12.67mm)
BLADE THICKNESS	0.115" (2.92mm)
OVERALL LENGTH	4.30" (10.92cm)
WEIGHT	1.50oz (42.97g)
HANDLE THICKNESS	0.26" (6.85mm)
SHEATH WEIGHT	1.60oz (45.36g)
COUNTRY OF ORIGIN	USA

NSNPRODUCT
8BLKWHOOK

Benchmade design — Made in the U.S.A.

- ▶ Unparalleled Rapid Response Cut Ability with a Safer Deployment Design
- ▶ Durable Edge Quality and Versatile Design
- ▶ Larger Handle Area for Heavy Gloved Grip
- ▶ Multiple Carry Options Available



8BLKW



8BLK

NOTE: This sheath is not backward compatible with hooks prior to 2009.

BLADE STYLE	Hook
BLADE STEEL	440C Stainless Steel (58-60HRC)
HANDLE SPECS	Full-Tang; Black Powder Coat Finish
SHEATH	SOFT: Nylon Webbing Pouch w/Velcro® Closure, Retention Band, MOLLE® Compatible; HARD: Molded Nylon Friction Fit with Secondary Lanyard Snap Closure, MOLLE® Compatible
MSRP	8BLK \$30, 8BLKW \$30, 8BLKWADC \$30, 8BLKWSN \$30

BLADE OPENING	0.50" (1.27cm)
BLADE THICKNESS	0.115" (2.92mm)
OVERALL LENGTH	6.50" (16.51cm)
WEIGHT	1.50oz (43g)
HANDLE THICKNESS	0.114" (2.89mm)
SOFT SHEATH WT	0.40oz (11.34g)
HARD SHEATH WT	0.60oz (17.01g)
COUNTRY OF ORIGIN	USA

8BLKWHOOK NSN 4240-01-568-3219

HOUDINI

EMERGENCY RESCUE TOOLS

THE RESCUE TOOL THAT COULD SAVE YOUR LIFE.


HOUDINI PRO 30200 & 30210



WINDOW BREAKER 
Spring-loaded tempered glass punch lets you safely exit your vehicle.

SEATBELT CUTTER 
Quickly frees you, even when you're upside down.

LED FLASHLIGHT 
5-lumen lamp lights the way with approximately 10 hours of runtime.

SAFETY WHISTLE 
(only available on Houdini)
Signals for help up to a 1/4 mile away.

Part # 30200 & 30210 formerly
Benchmade ERT 10105-YEL & 10105-BLK

HOUDINI 30100



PRODUCT	PART	MSRP
Houdini Pro	30200 (yellow)	\$40.00
Houdini Pro	30210 (black)	\$40.00
Houdini Keychain	30100	\$25.00

DID YOU KNOW...

There are over 6 million auto accidents per year in the United States alone?

Several hundred thousand people find themselves trapped in their car every year.

AAA estimates that over 11,000 vehicles crash into water each year.

Almost everyday in America someone dies from drowning in their vehicle.

As little as 12-24 inches of moving water can sweep any vehicle off the road.

BREAK. CUT. ESCAPE.

WWW.HOUDINITOOL.COM

TACTICAL PENS

1100 PEN SERIES

Benchmade design — Made in the U.S.A.

- ▶ Ergonomic Knurling Pattern
- ▶ Anodized Aluminum or Stainless Body
- ▶ Cap Securely Snaps Open or Closed
- ▶ Replaceable Ink Cartridges by Fisher Pen Company



PEN CAP
MSRP

Cap Snaps Securely, Both Open and Closed with Internal O-Ring

1100-1 \$120 Charcoal Body / Blue Tip / Blue Ink
 1100-2 \$120 Charcoal Body / Black Tip / Black Ink
 1100-3 \$180 Stainless Steel / Blue Ink
 1100-4 \$180 Stainless Steel / Black Ink
 1100-5 \$120 Pink Body / Pink Tip / Blue Ink

1100-6 \$120 Pink Body / Pink Tip / Black Ink
 1100-7 \$120 Red Body / Blue Tip / Blue Ink
 1100-8 \$120 Red Body / Black Tip / Black Ink
 1100-9 \$120 Gold Body / Black Tip / Blue Ink
 1100-10 \$120 Gold Body / Black Tip / Black Ink

PEN THICKNESS 0.50" (1.27cm)
 OPEN W/OUT CAP 5.10" (12.97cm)
 CLOSED W/ CAP 5.33" (13.54cm)
 ALUMINUM WEIGHT 1.30oz (36.85g)
 STAINLESS WEIGHT 3.20oz (90.72g)
 COUNTRY OF ORIGIN USA

1150/1155 PEN SERIES

Benchmade design — Made in the U.S.A.

- ▶ Low Profile, Slim Tactical Sizing
- ▶ CNC Machined Body Cap and Grip
- ▶ Non-Reflective Anodized Components for Tactical Applications
- ▶ Replaceable Ink Cartridges by Fisher Pen Company



PEN CAP
MSRP

Screw Cap, Both Open and Closed
 1150-1 \$100 Charcoal Body / Blue Tip / Blue Ink
 1150-2 \$100 Charcoal Body / Black Tip / Black Ink
 1155-1 \$100 Charcoal Body / Blue Tip / Blue Ink
 1155-2 \$100 Charcoal Body / Black Tip / Black Ink

PEN THICKNESS 0.39" (1.00cm)
 OPEN W/OUT CAP 4.38" (11.13cm)
 CLOSED W/ CAP 4.56" (11.58cm)
 WEIGHT 0.50oz (14.17g)
 COUNTRY OF ORIGIN USA

1150-2

1155-2

EXTRAS



SOFT SHEATHS & ATTACHMENT SYSTEMS

Benchmade does not currently manufacture any MOLLE® mounting vests. We simply produce the finest systems for mounting our knives to them, or wherever and however you choose to carry your knife.



140/141 MOLLE® FIXED SHEATH

Now the battle-tested, performance-proven Nimravus® has adapted to its new environment with a MOLLE® compatible sheath. Knife stows reversibly so sheath is totally universal. One-inch webbing and a Malice clip make attachment simple and secure. Available in standard issue tactical black (140/141 Presidio), coyote color (140/141 sand models), and foliage green.

A. 983468F Black MOLLE® Fixed Sheath \$50 **B. 983469F** Coyote MOLLE® Fixed Sheath \$50 **C. 983854F** Foliage Green MOLLE® Fixed Sheath \$50

MOLLE® FOLDER POUCH SHEATH

These duty-tough, snap-over hood closure pouches secure folding knives, flashlights or even single pistol mags well. The Malice clip (included) provides Molle attachment, or can be used for belt carry. An elasticized expansion cavity secures the cargo snug. Available in standard issue tactical black (9050 AFO), coyote color, and foliage green.

D. 983466F Black MOLLE® Folder Pouch \$20 **E. 983467F** Coyote MOLLE® Folder Pouch \$20 **F. 983853F** Foliage Green MOLLE® Folder Pouch \$20

5HOOK POUCH

The 5 Rescue Hook can attach to your Molle gear. A Velcro hooded closure secures the 5 in its pouch for secure carry and rapid deployment. The sheath can also be worn on a belt. Available in standard issue tactical black (5 W, 5 BLKW), coyote color, and foliage green.

G. 981494F Black MOLLE® 5 Hook Pouch \$8 **H. 983855F** Coyote MOLLE® 5 Hook Pouch \$8 **I. 983856F** Foliage Green MOLLE® 5 Hook Pouch \$8

MALICE CLIPS

These injection molded connecting-clips attach sheaths and pouches to Molle systems, or can be used for belt-loop style carry. Available in two sizes, black only.

J. 983550F Small Malice Clip (3.00") \$1.50 **K. 983551F** Large Malice Clip (4.75") \$2



FORWARD THINKING

It all starts with a commitment to innovation. And for us, it goes beyond simply being innovatively different— Benchmade continually strives to be innovatively better. We believe that when a customer chooses to purchase a Benchmade, they don't do so just to be different. They do so because they want the best. This mindset of innovating for improvement is alive and well throughout Benchmade. It goes into every design and comes out of every product. Admittedly, it's definitely not the easiest way to make knives, but it's the only way we know how.

ENGINEERING

Rocket science? Ok, well, almost. It starts with a dedicated Engineering department hell bent on getting it right - before a milling machine ever begins its work. It means taking a custom design concept and unique designer personality, and translating it into computer renderings and programs for a multitude of individual manufacturing processes. Our engineers are continually checking and rechecking for perfection, and we are fully integrated with

our outside manufacturing partners to ensure our Benchmade quality standards are adhered to. From the latest computer aided design (CAD) software and 3-D modeling technologies to just plain knife know-how gained from years of experience, it's a test of wills. And when we sign off on the final prototype, the customer always wins.

MANUFACTURING

The Benchmade manufacturing arsenal contains ultra-modern laser cutters and machining centers dialed in for spot-on tolerances of 0.0005" on command. Our computerized machining centers offer the precision and control usually found only in the aerospace industry. Most of our products are hand-assembled for a "go together" fit and finish typically seen only in a custom knife. But it's more than just having modern equipment. For Benchmade, it's having a workforce of skilled and dedicated professionals who know how to make it all work together. We also work with a select group of outside manufacturing partners, who are willing to go beyond working for us — they work with us to deliver the best product regardless of price point. It's a lot of effort for just a knife, which is why a Benchmade knife isn't "just a knife." It's an engineered cutting tool founded on function, built for performance and recognized for both.

TESTED TOUGHER

More often than not, our toughest competitor is ourselves. We are relentless when it comes to making every effort to ensure our knives will perform better than you should ever need. Benchmade Knife Company is committed to making the best the best performing knives in the world.

To ensure that our products remain superior, we have instituted a process of applying our absolute technical superiority to each of our tactical products in some very purposeful ways. In addition, we solicit input from professionals like you who rely on and use the tools under some of the toughest conditions possible. This collective effort helps to identify and define exactly what a tactical knife needs to do.

CUTTING EDGE

The tool must have the capacity to cut a variety of materials including heavy gauge, steel sheet metal and to then keep on cutting. The Benchmade process includes the ability to heat-treat the hardest of steels to not only maximize toughness, but to hold a shaving-fine cutting edge as well.

RELIABLE FUNCTION

Locking/folding mechanisms must operate without fail in all conditions with extreme efficiency and durability. Field-tested exposure to nature's elements like sand or dirt, heat, cold, snow, ice, and water without hampering tool performance. The capability to open quickly and easily with either hand, and with heavy gloves is paramount. Bottom line, they need to last over the long haul.

FIELD TOUGHNESS

The knife needs to be able to pry and take heavy impact. That's why before we start field application cutting tests with one of our tactical folders, we pound it through a 55-gallon steel drum several times with a hammer. We isolate and test blade strength, total body strength, locking mechanism strength, and overall impact-resistance to the highest performance standards in the world.

PRACTICAL DESIGN

The knife must possess the proper size/weight to performance ratio. Benchmade tactical models not only perform the best, they are efficient in size and weight. Work smarter, not harder.

REALISTIC CARRY

We understand real-world applications and integrate designs into gear efficiently for easy access and carry. This year our military customers will see new Molle compatible carry pouches and sheaths. These will be available in the tactical colors asked for by the operators, including the versatile Coyote tan.

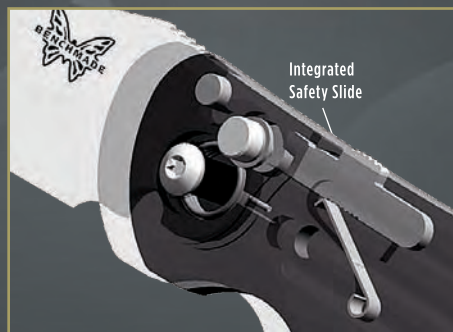
DEVELOPMENT PROCESS

Our development process includes a very rigorous regimen of testing to ensure performance objectives are achieved. Benchmade tactical knives go through two testing protocols: The first, lab testing against other brands in which we strive to completely outclass any other brand in the world in locking mechanism breaking strength, cutting performance, and component strength and durability. The second, even more respected by our special operations customers, is the field application testing conducted by our experienced tactical staff. For more information, ask one of the Benchmade tactical representatives for the field test overview of the model 5000 Auto AXIS, arguably the best tactical knife in the world, and you will see why Benchmade remains the tactical tool of choice.

MECHANISMS

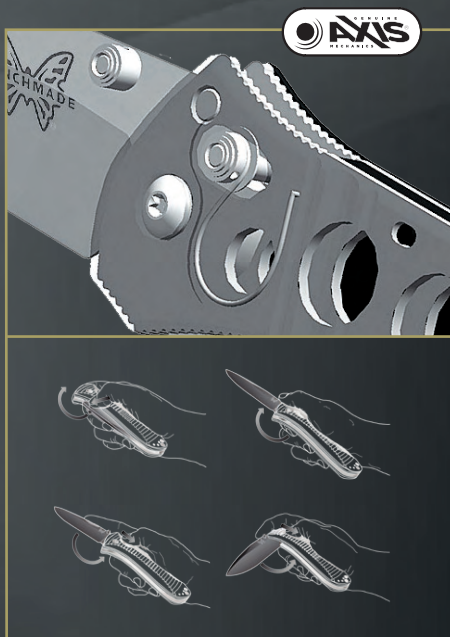
Seems simple enough. You open the knife, you close the knife. But it's the mechanics of motion that happens in the process of opening and closing which can make the difference between ordinary and extraordinary. Is the knife easy to actuate, can it be opened with one hand, is it ambidextrous, and will it be reliable when you need it most? These are all essential considerations when it comes to knife mechanics.

Benchmade offers several mechanisms, from patented exclusives like the unparalleled **AXIS**, to more traditional lock back designs. It all comes down to your level of desired function.



AUTOMATIC

These are folding knives, which open at the push of a button... The blade is deployed from the handle side like traditional folding knives, but the blade is spring open assisted to a fully locked position. Benchmade is recognized for making some of the finest auto-opening knives in the world. These are primarily manufactured for Law Enforcement, Military and Government Agency distribution. The Benchmade autos take full advantage of a powerful coil spring blade actuator coupled with our precisely machined taper lock mechanism, proving itself to be the most reliable system available in auto-open knives. And our patented integrated safety mechanism (located on handle spine) ensures that the blade will not inadvertently deploy nor close once it is locked open. Benchmade autos are precision engineered and manufactured to perform in the real world. You would be hard-pressed to find a superior tool in the automatic market.

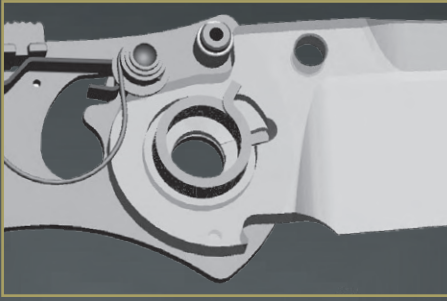


AXIS®

A patented Benchmade exclusive, **AXIS** has been turning heads and winning fans ever since its introduction. A 100-percent ambidextrous design, **AXIS** gets its function from a small, hardened steel bar which rides forward and back in a slot machined into both steel liners. The bar extends to both sides of the knife, spans the liners, and is positioned over the rear of the blade. It engages a ramped, tang portion of the knife blade when it is opened. Two omega style springs, one on each liner, give the locking bar its inertia to engage the knife tang. As a result, the tang is wedged solidly between a sizable stop pin and the **AXIS** bar itself.

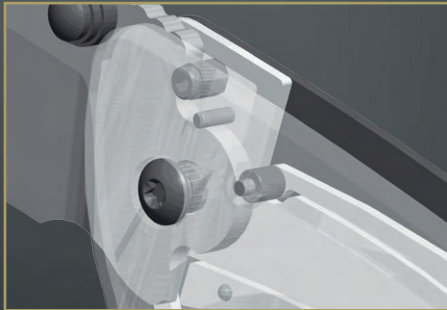
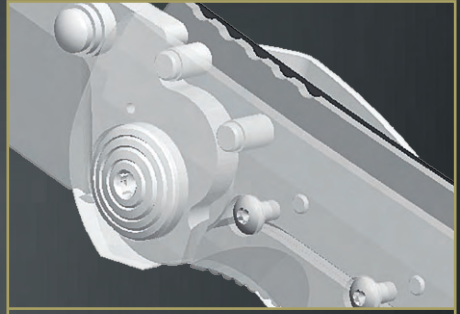
AUTO-AXIS®

AUTO-AXIS is a combination of our **AXIS** lock and auto-open mechanisms to create a 100-percent ambidextrous automatic knife. Blade deployment is initiated by drawing the **AXIS** button back with either hand, even gloved.



AXIS[®] ASSIST

Another patented Benchmade exclusive. All of the advantages of an AXIS lock combined with the power of coil spring assisted opening. The blade is started open with the thumb lug, then the coil spring engages and maintains torque to the fully open position. A safety can be engaged in either the open or closed position for added security.

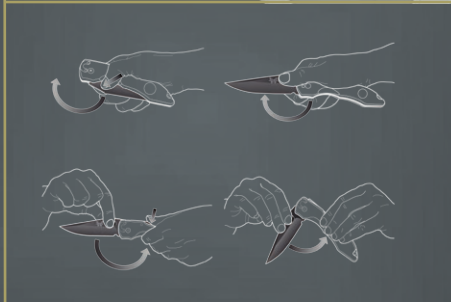
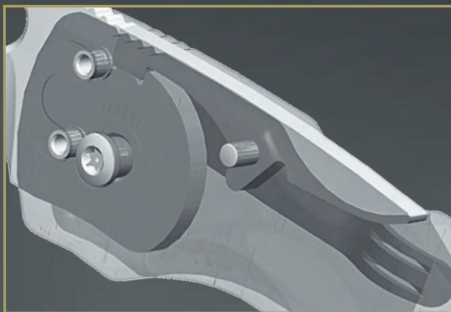


MODIFIED LOCKING-LINER

The basic principle is an integral locking bar within the knife liner being stress bent, enabling it to spring into position behind the rear tang of the blade when the blade is opened. The locking bar wedges against the rear of the blade, locking it open until you physically push it clear and close the blade (locking-liners are made either right or left hand specific). The function success and function failure of a locking-liner depends greatly on how well it is made and also the quality of the materials used. With Benchmade, you get the best of both, and we offer it in a variety of knives.

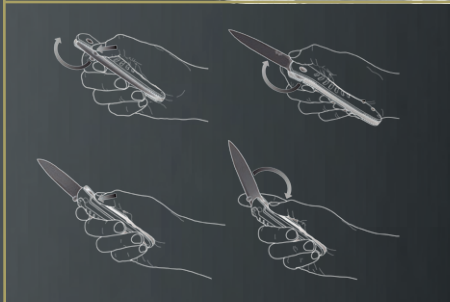
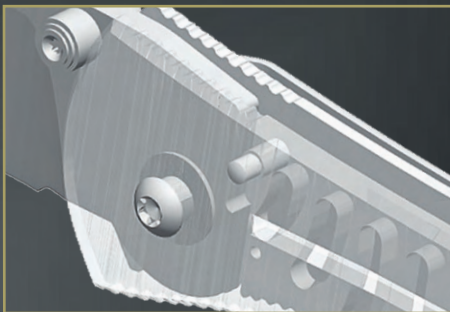
NITROUS[™]

Another patented Benchmade exclusive, the Nitrous boosts the blade with ease. As the blade is closed, the two torsion arms which run the length of the handle liners are secured in place and make contact with the blade tang. As tensioned against the blade tang, the user rotates the blade open to a 30-degree angle, the torsion arms take over and continue the blade opening process on its own. The huge advantage of the Nitrous design over other similar concepts, is that the blade must be rotated open to beyond a 30-degree angle, which offers added user control. The choice is yours.



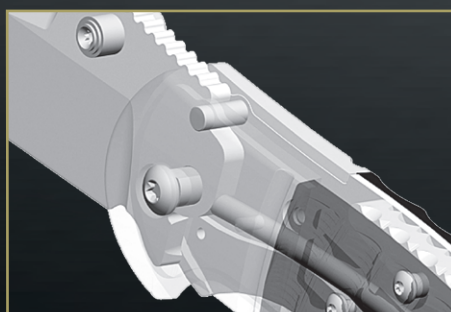
LOCK BACK

A basic functional lock that is relatively simple and this is low-cost to manufacture. In practice, the lock design positions a stop bar parallel to and in direct line with the blade at the upper back or rear tang of the blade to lock the blade open. To release the lock, the exposed portion of the stop bar in the handle back is depressed into the handle, pivoting the stop bar out, and releasing the locked blade. This style of mechanism requires two hands to safely close the blade although you may still easily open the blade single-handedly if desired.



MONOLOCK

The monolock mechanism is basically a locking-liner on steroids. The knife liner is one and the same as the knife handle, and thus it is designed and made to function as the locking mechanism. A thicker material is used to provide enough surface area to be a functional handle, and in turn creates a larger surface area with which to lock the blade. If executed properly, the monolock design rates very highly in strength and function.



OPTIMISER®

Another patented Benchmade exclusive, which “optimizes” the knife mechanism if the user chooses to do so. A steel torsion bar running the length of the inside handle spine is secured in place and contacts a surface area of the blade tang. As the blade is closed, the torsion bar is tensioned against the blade tang. Then, as the user rotates the blade open to a 30-degree angle, the torsion bar takes over and continues the blade opening process on its own. The huge advantages of the Optimiser design over other similar concepts is that the blade must be rotated open to beyond a 30-degree angle, which offers added user control. And even more amazing, the Optimiser can be added or removed at the discretion of the user and the knife/mechanism still functions normally. The choice is yours.

MATERIALS

So what's it made of? Which blade steel is best? Just a couple of the questions we are asked when people see our knives, and the answers come down to this—Benchmade uses a variety of modern materials specially selected for their superior performance characteristics. We strongly believe that if you're going to put this much effort into designing a custom quality cutting tool, then it only makes sense to build it with materials that compliment its form and enhance its function. And in some instances, it's more than just selecting a certain material; it's what we do to it to bring out the extra edge that sets us apart from everyone else. Bottom line, we would much rather overbuild a knife than risk the alternative. We thought you would like that too.

BLADE STEELS & FINISHES

154CM

An American-made premium grade stainless steel originally developed for tough industrial applications. Known for its best all-around qualities, it offers great corrosion resistance with good toughness and edge quality.

S30V

An American-made and developed premium grade stainless steel created especially for knives. It is a powder-made steel with a uniform carbide distribution and clean steel properties. As a blade material, it offers excellent corrosion resistance and superb edge qualities.

CPM-M4

Special purpose, high-speed steel with a combination of high Carbon, Moly, Vanadium and Tungsten for excellent wear resistance and toughness. A powder-metal, non stainless steel.

D2

An air-hardened tool steel that offers good corrosion resistance and excellent mileage in wear resistance. A good choice for hard use applications.

440C

A high-chromium stainless steel with a terrific balance of good hardness and corrosion resistance. 440C takes a nice edge and is fairly easy to resharpen. An excellent value-priced steel for its performance.

N690

An Austrian made stainless steel, which is comparable to 440C in performance and value. Keen edge qualities with great corrosion resistance.

X15-TN

This French steel was developed for the aircraft industry for jet ball bearings, as well as the medical industry for scalpels. It has the ability to resist rust in the worst of conditions while maintaining ample edge retention. The capability behind this steel is in the way it is manufactured, resulting in the finest steel for use in harsh environments such as salt water. The edge on an X-15-TN blade is easier to maintain.

STEEL	CARBON	CHROMIUM	COBALT	NITROGEN	MANGANESE	MOLYBDENUM	NICKEL	PHOSPHOROUS	SILICON	SULPHUR	TUNGSTEN	VANADIUM	HRC
154CM	1.05	14.00	-	-	0.50	4.00	-	-	0.30	-	-	-	58-61
S30V	1.45	14.00	-	-	0.50	2.00	-	-	0.50	-	-	4.00	58-60
X15-TN	0.40	16.00	-	-	-	2.00	-	< 0.02	-	< 0.005	-	0.35	58-60
M2	0.85	4.15	-	0.30	0.30	5.00	0.30	-	0.30	-	5.50-6.75	1.95	58-60
D2	1.50	12.00	-	0.30	0.60	1.00	0.30	-	0.60	-	-	1.00	60-62
N690	1.07	17.00	1.50	-	0.40	1.10	-	-	0.40	-	-	0.10	58-60
440C	0.75	17.00	-	-	1.00	0.75	-	0.04	1.00	0.03	-	-	58-60
8CR4MOV	0.75	14.50	-	-	1.00	0.20	-	0.03	1.00	0.03	-	0.20	57-58
AUS-8	0.75	14.00	-	0.49	0.50	0.10	0.49	0.04	1.00	0.03	-	0.20	58-59
1095	1.00	-	-	-	0.40	-	-	0.04	-	0.05	-	-	57-60
9CR13COMV	0.85	13.50	1.00	-	1.00	0.20	-	-	-	-	-	0.20	58-60
CPM-M4	1.42	4.0	-	-	-	5.25	-	-	-	-	5.5	4.0	60.02

DAMASCUS

A specially forged, layered steel made up of a variety of steels. It offers remarkable toughness and edge quality. For finishing, the surface layers or lines are exposed through an acid etch which creates a very unique visual effect. Used in special applications due to its inherent high cost and artistic nature.

BK1® COATING

A matte black coating that provides excellent corrosion protection exceeds the ASTM-117 spec for saltwater, and possesses higher scratch resistance.

BP1 COATING

Black Pearl (BP) is a PVD (physical vapor deposition) coating made up of Titanium Carbo-Nitride (TiCN). It is a darker, near black, scratch-resistant coating with nice decorative qualities.

COMBOEDGE®

It denotes our partial serration on the plain edge blade configuration. Benchmade's serration pattern offers ideal cutting ability for fibrous materials such as webbing, straps, netting, or rope.

HEAT-TREATMENT

Over the years we have developed a "special recipe" for heat-treating our blade steels. This process maximizes the steel's molecular structure for a custom toughness and Benchmade superior performance. All steels may be created equally, but that is where it stops when it comes to Benchmade.

HANDLES

CARBON FIBER

A contemporary, premium composite of thin strands of carbon tightly woven into various weave patterns, then set in resin, which is most commonly clear but can be color tinted. It offers great looks and is exceptionally strong for its minimal weight.

MICARTA

Layers of linen cloths soaked in resin and pressured together. Most commonly used on more stylish knives due to its rich color finish qualities.

6061 T-6 ALUMINUM

A nonferrous metal originally developed as a premium aircraft grade aluminum, it offers a solid handle form and function at a nominal weight. Most typically color anodized.

NORYL GTX®

A modern engineered plastic offering high-strength, minimal flex, and optimally lightweight properties. Molded to form.

G10

An extremely durable makeup of layers of fiberglass soaked in resin, then highly compressed and baked. Impervious to moisture or liquid and physically stable under climate change. Most commonly black, but is available in various colors too.

ZYTEL®

A lightweight glass-filled nylon engineered for strength and durability. Widely used throughout the auto industry in engine-related components. Molded to form.

KYDEX®

A mixture of acrylic and PVC which offers outstanding impact and chemical resistance as well as fire retardancy. Widely used in the auto and aerospace industry. Molded or thermo-formed.

DELTRIN®

A lightweight and durable engineered polymer with low-wear properties. Used throughout the auto industry. Molded to form.

VALOX®

A reinforced resin with excellent stiffness, strength, and dimensional stability. Molded to form.

ANODIZATION

An electrochemical process used for adding color to titanium surfaces. A combination of chemical bath and electrical voltage level generates the desired color. A similar process is used for aluminum with the addition of a chemical coloring bath.

SANTOPRENE®

A thermoplastic elastomer which is molded to specification. It offers excellent flexibility with high tear strength and fatigue resistance. Resistance to many harsh chemicals. These features contribute to improved performance in a range of tough jobs.

LINERS

6AL 4V-TITANIUM

Considered an exotic metal alloy (Titanium + 6% Aluminum + 4% Vanadium) with an excellent strength to weight ratio which offers exceptional performance in a knife. Titanium is corrosion resistant to natural elements as well as many industrial chemicals.

420J STAINLESS STEEL

A common knife grade with low carbon, high chromium content steel which offers excellent bend toughness and wear ability. It offers excellent corrosion resistant characteristics as well. Also used in handles.

SHEATHS

BALLISTICS NYLON

A heavy duty woven nylon fabric originally developed for use in bullet proof vests and body armor. Offers great lightweight sheath durability.

LEATHER

A natural material dating back to man's earliest beginnings in the knife world. It can be easily dyed and tooled for desired visual effect. Offers traditionally accepted levels of performance and design.

The following are registered trademarks of their respective companies: Delrin®, E.I. du Pont de Nemours & Company; Zytel®, E.I. du Pont de Nemours & Company; Kydex®, Kleerdex Company; Noryl GTX®, General Electric Company; Valox®, General Electric Company; Xylan®, Whitford Worldwide Corporation; Kraton®, Kraton Polymers Company; Santoprene®, Advanced Elastomer Systems

EXTRAS

There's more to Benchmade than just great knives. We also offer you the service and support to back up or enhance the performance of our knives. From the finest customer service in the industry to branded clothing and specialty items—it's all available for you to take advantage of. And if you find that something is missing or needs improvement, we want to hear about it.



Blue Box

- › Adjust blade tension
- › Remove carry clip
- › Check for loosened screws

Includes:

- › Various bit sizes
- › Bit holder/extension
- › Molded plastic case which doubles as the handle

981084F Blue Box \$12.00



Bluelube™/Bluelube Cleaner

- › Enhance overall knife function
- › Use bluelube cleaner to flush and prep the moving parts
- › Use bluelube to lubricate and prevent rust and corrosion

983901F BLUELUBE Cleaner (4oz bottle) \$7.95

983900F BLUELUBE (1.25oz bottle w/ nozzle) \$6.50



Benchmade Knife Sharpeners

A. The Tactical Pro Sharpener

- › Easy everyday carry
- › Ceramic honing surface
- › Length 3.00"

983902F Benchmade Tactical Pro Sharpener \$24.95

B. The Mini-Tactical Pro

- › Smaller version of the Tactical Pro
- › Length 2.00"

983903F Benchmade Mini-Tactical Pro Sharpener \$19.95

C. Combo Sharpener

- › Duromite® cutter blades
- › Diamond honing rod
- › Includes sheath for convenient belt-carry

985547F Benchmade Combo Edge Sharpener \$30.00



Property of Benchmade Tee

M, L, XL, 2XL \$25.00

Property of Benchmade Hoodie

S, M, L, XL, 2XL \$40.00



One Chance, One Cut Tee

M, L, XL, 2XL \$25.00

Failure Is Not an Option Tee

M, L, XL, 2XL \$25.00

Black/Gray Sport Jacket

Designer styled urban look in a lightweight jacket. A nylon/cotton shell with nylon mesh and taffeta lining. Zippered front, adjustable cuffs, zippered sleeve pocket and other functional features.

S, M, L, XL, 2XL \$80.00



Logo Beanie

One Size Fits All \$12.00



Flexfit® Hat

Black with silver embroidered logo on facing and American flag embroidered on front left panel.

S-M, L-XL \$20.00

ATTACHMENT

Folder Pouch (MOLLE® Compatible)

These snap-over hood closure pouches secure the knife well and can be used for belt carry with the Malice® clip (included), and are Molle system enabled too. Heavy stitch and elasticized fit offer a true fit. Available in 3 color options. Made in USA.

MOLLE Folder Pouch \$20

- A. 983466F - Black
- B. 983853F - Foliage Green
- C. 983467F - Coyote



140/141 Fixed Sheath (MOLLE® Compatible)

Sheaths come standard with Malice clip and Velcro® adjustable belt hanger for belt carry. Heavy stitch and hard liners stow the knife securely and a snap-around closure snug the handle. Available in 3 color options. Made in USA.

MOLLE Fixed Soft Sheath \$50

- D. 983468F - Black
- E. 983854F - Foliage Green
- F. 983469F - Coyote



155/158 Fixed Sheath Kit

Based on the 140/141 soft sheaths. Built tough enough for any mission. Made in USA. (Only Black Pictured)

MOLLE Fixed Sheath \$60.00

- G. 984143F - Black
- 984145F - Coyote
- 984144F - Foliage Green



5hook/7hook/8hook Pouch (MOLLE® Compatible)

These Velcro® hood closure pouches secure the Rescue Hook for belt carry, and are MOLLE system enabled with the Malice® clip (sold separately). Available in 3 colors. Made in USA.

MOLLE 5 Hook Pouch \$8.00

- H. 981494F - Black
- I. 983856F - Foliage Green
- J. 983855F - Coyote

MOLLE 7 Hook Pouch \$10.00

- K. 984166F - Black
- L. 984205F - Foliage Green
- M. 984204F - Coyote

MOLLE 8 Hook Pouch \$12.00

- O. 985398F - Black
- 985570F - Foliage Green (not shown)
- 985569F - Coyote (not shown)

MOLLE 8 Hook Molded Sheath \$15.00

- N. 985394F - Black
- 985653F - Foliage Green (not shown)
- 985654F - Coyote (not shown)



Malice Clips

Injection molded connecting-clip to attach sheaths to Molle systems, or to use as a belt loop style carry. Clips securely closed with a snap-lock.

W. 983551F Large Malice Clip (4.75" size) \$2.00

Z. 983550F Small Malice Clip (3" size) \$1.50



Sheath Accessories

We offer several carry accessories so you can modify your Benchmade sheaths to suit your carry needs:

(NOTE: Some items are limited to model specific applications, and individual lash tabs not pictured).

P. 981607F Metal-Clip w/lash tab (fits Model 5, 100, 140, 141, 145, 160, 175, 10510) \$10.00

Q. 981608F Molded Belt-Loop w/bridge (fits Model 100, 140, 141, 145) \$10.00

R. 981609F Tek-Lok®, large size \$15.00

S. 981610F Perma-Clips® for large Tek-Lok (set of 2) \$4.00

T. 981611F Carry-Strap w/4-way lash-tab \$10.00

981612F (no pic) Lash-Tab (sewn onto clothing or gear) \$5.00



Folder Pouch/Soft Sheaths

Snap-buckle closure flap, can be worn as a belt carry, or lashed to a shoulder strap with the Velcro lash straps. Made in China.

U. 983170F Folder Pouch, Black \$15.00

There are two different sizes (small: 1.625" W x 5.00" D; large: 2.00" W x 5.25" D) for folders, and a 4-inch Bali-Song sheath (not pictured). All soft sheaths are 1680 denier poly-ballistic nylon with liners and Velcro® closures. Made in USA.

V. 981086F Soft Sheath, Small (1.625" W x 5" D), black \$10.00

981087F Soft Sheath, Large (2" W x 5.25" D), black \$10.00

981717F Soft Sheath, Bali-Song Series, black \$10.00



SPECIAL SERVICES



There's more to Benchmade than just great knives. We also offer you the service and support to back up or enhance the performance of our knives. From the finest customer service in the industry to branded clothing and specialty items — it's all available for you to take advantage of. And if you find that something is missing or needs improvement, we want to hear about it.

LIFESHARP® SERVICE

There's never a dull moment with a Benchmade. That's right! We will gladly resharpen your Benchmade knife to a factory razor sharp edge (service does not apply to any serrated portion of the blade). If you prefer us to sharpen your blade, or if you may have neglected to maintain your edge for a while, simply ship your knife to us. We'll not only sharpen it, we will also inspect the knife for any warrantied repairs and "tune" the knife for optimum performance. Simply ship the knife to the Benchmade address, postage paid and insured. Please enclose your return shipping address with \$5.00 to cover return shipping charges.



THE ULTIMATE SOURCE

BENCHMADE.COM

Stay connected with everything Benchmade. From views of every Benchmade model configuration to creating a list of your personal favorites for future reference and improvement of your Benchmade cyberspace experience. For the new Benchmade visitor, there's expanded product and technical information to make your "initiation" process easier. And for you Benchmade addicts, you can get your fix of the latest model introductions as well as share your knife knowledge and Benchmade experiences with the rest of the world. The web site also has a handy dealer locator so you can find your nearest source for cutting edge innovation close to home. Or, if you prefer, you can buy direct from the factory and have it shipped right to your door. So your inside track on everything Benchmade is only a click away at BENCHMADE.COM.

WARRANTY

LIMITED LIFETIME WARRANTY

Benchmade Knife Company, Inc. ("Benchmade") warrants to the original owner that this knife will be free from defects in materials and workmanship. Benchmade will, without charge, repair or replace, at Benchmade's option, any knife returned for Warranty work and found to be defective by Benchmade. The knife must be shipped by owner prepaid and insured freight, together with a description of the problem, and must be accompanied by the original bill of sale, your charge or credit card receipt or any satisfactory proof of the original date of purchase from a retail dealer. Any automatic knife returned for warranty service from outside of Oregon must also include a copy of the owner's active police or military identification, or be returned through the authorized Benchmade dealer from whom the knife was originally purchased.

NO EXCEPTIONS WILL BE MADE.

WHAT IS COVERED

This warranty covers replacement parts and labor.

WHAT IS NOT COVERED

This warranty does not cover normal wear, resharpening of the blade, damage caused by neglect, misuse or the failure to perform normal or necessary maintenance, disassembly of any knife by any person other than Benchmade's Warranty department, or shipping costs for returned knives.

Do not use your new knife as a screwdriver, prybar, chisel or punch. Do not throw your knife or use it for any purpose other than cutting. Do not disassemble your knife. Do not sharpen your knife on a power grinding wheel. Any of these acts will void your Warranty. MINIMUM CHARGE TO REASSEMBLE A KNIFE WHEN THE WARRANTY HAS BEEN VOIDED IS \$20 PLUS PARTS.

Repair or replacement as provided under this Warranty is the exclusive remedy of the consumer. Benchmade shall not be liable for any incidental, reliance, or consequential damages or breach of implied warranty on this product, including any damage to person or property. Benchmade's liability under any circumstances is limited to the purchase price. Some states do not allow exclusion or limitation of incidental or consequential damages, so the above limitations or exclusions may not apply to you. This warranty gives you specific legal rights, and you may also have other rights which vary from state to state.

This knife has only one use, as a cutting tool. Benchmade's knives carry no warranty except as expressly contained herein. Benchmade disclaims all warranties of merchantability and fitness for a particular purpose other than for use as a cutting tool. There are no warranties which extend beyond the description contained herein.

Please review the warranty information and proper knife care instructions provided with each knife.

ORDERING OF AUTOMATIC KNIVES

Automatic knives are available for sale in Oregon state. All orders for automatic knives must be on departmental purchase order or letterhead with wording to the effect that the knives will be used as duty items. All orders for automatic knives must be faxed or mailed. We cannot accept phone orders for automatic knives. The sales of automatic knives is Federally regulated (refer to catalog inside cover for Federal Statutes), always check permissibility within your state or locality as non-Federal personnel may be precluded from ownership or use by State laws. NO EXCEPTIONS WILL BE MADE.

The purchase, use and ownership of knives is subject to a wide variety of local laws and regulations. It is impossible for Benchmade Knife Company to know or interpret all of these laws. It is the responsibility of the buyer to be aware of the laws which govern them in their specific area wherever that may be. We encourage the responsible ownership and use of knives as one of mankind's oldest tools. Be smart and be safe.

SHIPPING OF AUTOMATIC KNIVES

All AUTOMATIC knives shipped by Benchmade will be done via the following couriers, UPS, FedEx, etc. and CANNOT be shipped through the U.S. Postal Service. Also please note that all returns of automatic knives must be shipped via alternate couriers, UPS, FedEx, etc. This is in accordance with the policies of the U.S. Postal Service. Thank you

ARE ASSIST OPEN KNIVES LEGAL?

The way that the Benchmade assist opener knives are designed and built, they are not considered an automatic or switchblade under Federal interpretations. The Optimiser[®] and new Nitrous[™] assist mechanisms must be initiated with the user manually overcoming the pull of the torsion bar or, split liner systems to activate the assist function. This is done through the use manually or, physically having to engage the blade first before opening. And, as an added safety feature, the Benchmade assist openers must have their blades rotated open to an approximately 20 to 30-degree open angle BEFORE the assist engages. This eliminates the need and complication of a secondary safety mechanism.

Even though the Benchmade assist opener models are not classified as automatics or switchblades, it is still recommended that the user research and verify the legalities in their own specific areas. Knife laws and regulations are subject to local interpretations and may change frequently.

You may also contact the American Knife and Tool Institute (AKTI) for assistance or, you can choose to become a member and help to protect your knife freedoms.

WWW.AKTI.ORG

The following are trademarks of Benchmade Knife Company, Inc., Oregon City, Oregon USA: Brag Bag; Blue Lube; Blue Morpho; Instigator; Rukus; Skirmish. • The following are registered trademarks of Benchmade Knife Company, Inc., Oregon City, Oregon USA: Benchmade; Activator; Ambush; Apparition; Ares; AXIS; Bali-Song (butterfly logo); BenchKote (BK); Benchmite; BILT (Bolted In-Line Tang); BK1; BT2; ComboEdge; Gamer; Gravitator; Griptilian; InDraft; Jujuu; LEVITATOR; LifeSharp; MonoChrome; Nimravus; Offsider; Opportunist; Optimiser; Outbounder; Pika; Presidio; PrestigeEdges; Rant; Reflex; Resistor; Sequel; Snipe; Stryker; Switchback. • NOTE: We reserve the right to make any design and/or material modifications without prior notice. • Benchmade products are manufactured under one or more of the following patents: Safety Lock for Automatic Folding Knife- U.S. Patent No. 5,822,866; Blade Lock Mechanism for Folding Knife (Modified Locking Liner)- U.S. Patent No. 5,755,035; Pocket Knife With Lock (AXIS Lock)- U.S. Patent No. 5,737,841; Folding Knife (Design, Stryker Model)- U.S. Patent No. D408,705; Knife Blade (Design, Stryker Model)- U.S. Patent No. D409,070; Folding Knife With Grooved Handle (Design, Model 350, 3550)- U.S. Patent No. D397,017; Grooved Knife Handle (Design, 350, 3550)- U.S. Patent No. D397,020; Folding Knife (Design, Ascent Model)- U.S. Patent No. D385,173; Knife Design (Design, Ascent Model)- U.S. Patent No. D384,871; Portion Of A Blade For A Knife (Design, Pardue Model 720 Knife)- U.S. Patent No. D426,132; Knife Blade (Design Model 140/145)- U.S. Patent No. D425,389; Knife Handle (Design, Model 705)- U.S. Patent No. D428,789.

Other Patents Pending.

MODEL FEATURE CODES

These codes appear after the Benchmade model numbers. They identify particular feature variations within each model. (Example: Model 140SBK is a Model 140 knife which features partially serrated ComboEdge and BK1 black corrosion resistant coating on the blade).

(NO CODE)	Plain edge/no blade coating	-RED	Red color handle
S	ComboEdge™ (partially serrated)/no blade coatingz	SLV	Silver color handle
BK	Plain edge black corrosion resistant coated blade	-BLU	Blue color handle
SBK	ComboEdge (partially serrated) black corrosion resistant coated blade	-YEL	Yellow color handle
B	Black anti-reflective, corrosion resistant coated blade (Red Class)	-ORG	Orange color handle
SB	ComboEdge (partially serrated)/ black anti-reflective coated blade (Red Class)	-BLK	Black color handle
OD	Olive Drab color handle	-PNK	Pink color handle
SN	Sand Camouflage color handle	BP	BP1 Charcoal color, scratch resistant coating
CF	Carbon Fiber Handle	W	Soft sheath for rescue hook
		ADC	Army Digital Camouflage color sheath
		T	Trainer blade with red handle
		TR	Bali-song trainer with red handle
		D2	D2 Blade Steel
		H20	X15-TN steel, 100% corrosion resistant
		DM	Damascus Blade
		CP	Clam pack

EDGED WEAPONS TRAINING

Cutting Edge Training, LLC, is the premier police training company in the US. Their “Tactical Duty Knife” courses were carefully designed to train the police officer, deputy, and agent how to reasonably and effectively employ the knife in those last-ditch situations where survival is doubtful.

Our knives, when used for defense purposes, are life-saving tools and Cutting Edge Training’s program employs the most effective method of teaching officers how to use the knife effectively. The liability awareness and reduction aspects of this training are nothing less than outstanding and should be a required component of any force response course.

If you are interested in obtaining the finest training possible in the rational use of and defense against edged weapons for law enforcement and military, contact Benchmade customer service at 800.800.7427, or contact George Williams with Cutting Edge Training directly at 360.671.2007 or training@cuttingedgetraining.org.



TRAINER HANDLES ARE RED IN COLOR FOR POSITIVE IDENTIFICATION



PERSONALIZED LASER MARKING

Make any Benchmade your Benchmade. Commemorate an event or outfit the unit. Whatever the occasion, now you can have your logo or artwork laser-etched onto any Benchmade. Depending on the particular model, the mark can be placed either on the blade, or in some models, on the handles. If you are interested in this special service, simply call a Benchmade customer service representative at 800.800.7427 or visit www.benchmade.com/lasermark. Basic set-up charges and quantity restrictions do apply.

BENCHMADE HEROES

Benchmade is proud to honor and recognize the extreme sacrifices made by Public Safety Officers and Military Personnel worldwide. Our world is a safer and better place due to the heroic actions of these brave men and women.

For more information on the organizations that we support, please visit Benchmade.com/heroes.

BENCHMADE



BENCHMADE KNIFE COMPANY, INC
300 BEAVERCREEK ROAD
OREGON CITY, OREGON 97045 USA

TELEPHONE
800.800.7427 503.655.6004

CUSTOMER SERVICE FAX
503.496.1896

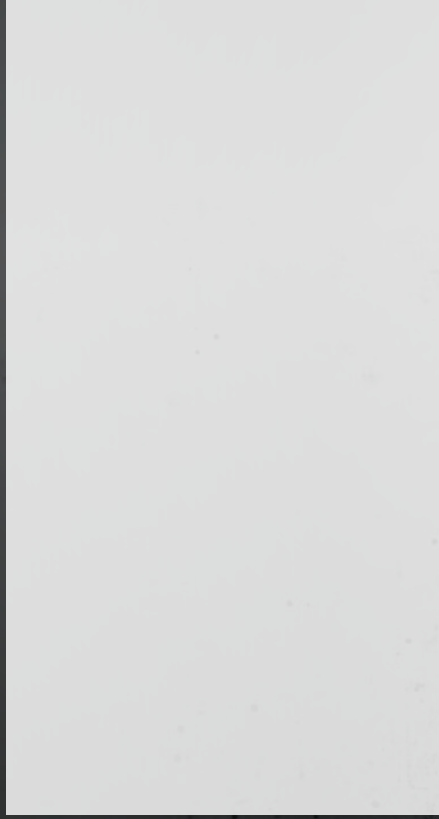
EMAIL
INFO@BENCHMADE.COM

WEB
BENCHMADE.COM

BENCHMADE

300 BEAVERCREEK ROAD
OREGON CITY, OR 97045

PRSRST STD
US POSTAGE
PAID
OREGON CITY, OR
PERMIT NO. 25



All trademarks and copyrights are the property of
Benchmade Knife Company, Inc.
Notice, one or more patents may apply.
©2009 BENCHMADE KNIFE CO., INC • Printed in USA