

BENCHMADE®

2009 CONSUMER CATALOG



HELLO!

For two decades Benchmade has been committed to designing and manufacturing world-class sports cutlery and superior edged tools. We continually strive to provide high quality products that will deliver superior performance and provide great value for our customers. Avid sportsmen and professionals alike enjoy and rely on our products around the globe. Whether you are using a Griptilian® as a basic cutting tool or one of our professional grade rescue hooks to perform a quick cut in an emergency situation, you can count on your Benchmade to get the job done.

Innovation is at the core of the Benchmade brand and in 2009 we'll introduce some of the most innovative products in our company's history. In our Blue Class, we've added a new twist to our AXIS® locking mechanism to make it one of the strongest, most reliable assist mechanisms on the market. Check out the action on the 580 Barrage™. We think you'll be impressed. In our Black Class, our new product introductions range from two new ultra-light folders based on the Presidio® platform to two great new fixed blades, the 147BK NimCub II and the 150BKSN. This latter knife was created to honor the heroic behavior and extreme sacrifice made by Oregonian Marc Lee, the first Navy SEAL to be killed in Iraq since the war started. Needless to say, all of us at Benchmade are extremely proud to be a part of this project. For our Red Class, we're building on the success of two very innovative mechanisms - the Nak-Lok™ in the 10700 Nagara™ and the Optimiser® assist in the 10350 Aphid™. Both models provide great value and would serve well as an everyday carry. Finally, for the first time since we launched our Gold Class over five years ago, we'll be offering a model for the duration of the calendar year. The 525-81 features an acid etched Hakkapella Damasteel drop-point blade, hand finished carbon fiber handles, jeweled liners and hand polished/heat colored bronze hardware. It truly is a work of art that highlights the enormous skill and craftsmanship of our employees here in Oregon.

Finally, I wanted to take a moment to thank the entire Benchmade Team - our employees, dealer-partners and loyal consumers - for all your support. You have my promise that Benchmade will continue to tailor and shape our products, processes and services to fit your needs and wants.

Remember, you're not just buying a knife. You're buying a Benchmade.

Les de Asis
Founder and Owner



NEW 09 MODELS



525-81
page 5



580/585
page 8



551-ORG
page 21



760BK
page 13



890
page 15



150BKSN
page 32



147BK
page 31



950-1
page 26



522/527
page 27



10700
page 38



10350
page 39



1100 Series
page 46



1150/1155
page 47



1200 Series
page 47

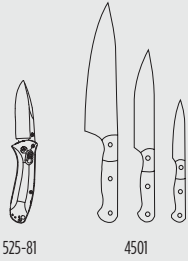


1210
page 47

2009 PRODUCT MATRIX

Visit www.benchmade.com for up-to-date information on current product availability.

GOLDCLASS



525-81

4501

pgs 5-6

BLUECLASS



440

480

530

580

585

610

615

707

710

740

745

760

890

930

940

943

960

FOLDERS
pgs 8-16



100

201

211

FIXED BLADES
pgs 16-17



32

42

BALI-SONGS
pg 18



151

550

551

553

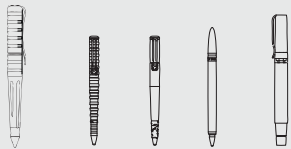
555

556

557

GRIPTILIANS
pgs 20-24

PENS



1100
SERIES

1150

1155

1200
SERIES

1210

pgs 46-47

HOUDINI



30100

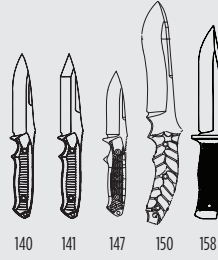
30200

pg 36

BLACKCLASS



FOLDERS
pgs 26-29

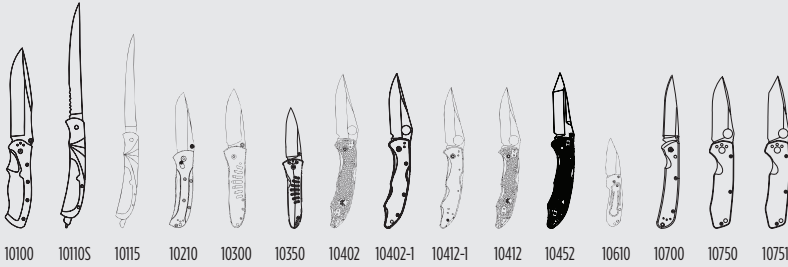


FIXED
pgs 30-32

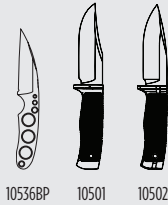


HOOKS
pgs 33-35

REDCLASS



FOLDERS
pgs 38-43



FIXED BLADES
pg 44

TECHINDEX

What's In A Knife 49

Forward Thinking/Our Mindset 50-51

Mechanisms 52

Advanced Materials 55

Model Feature Codes 57

Extras, Attachment,
Carry, Clothing 58-61

Special Services, Warranty 62-63

GOLDCLASS

Our Gold Class clearly sets the standard of what is possible in premium knife manufacturing. It's quite simply the best of the best.



525-81

Pardue design — Made in the U.S.A.



Our Gold Class continues to set the standard of what is possible when it comes to high level knife manufacturing. The 525-81 features an acid etched Hakkapella Damasteel drop-point blade with ambidextrous thumb-studs, hand finished carbon fiber handles, jeweled liners, hand polished and heat colored bronze hardware, clip, barrel spacers and a custom presentation box.

- ▶ Hakkapella Damasteel Blade
- ▶ Jeweled Liners & Bronze Color Hardware
- ▶ Carbon Fiber Handle Scales



LOCKING MECHANISM	AXIS Lock
BLADE STYLE & OPENER	Drop-Point, Ambidextrous Thumb-Studs
BLADE STEEL	Hakkapella Damasteel
HANDLE SPECS	Hand Finished Carbon Fiber Handle Scales, Hand Polished, Bronze Colored Hardware, Reversible Steel Carry-Clip
MSRP	525-81 \$500

BLADE LENGTH	2.97" (7.59cm)
BLADE THICKNESS	0.115" (2.92mm)
OPEN	7.12" (18.08cm)
CLOSED	4.15" (10.54cm)
WEIGHT	3.70oz (104.89g)
HANDLE THICKNESS	0.55" (13.84mm)
COUNTRY OF ORIGIN	USA

4501 PRESTIGEDGES®

De Asis design — Made in the U.S.A.



CHEF KNIFE

UTILITY KNIFE

PARING KNIFE

3-KNIFE SET COMES IN ATTRACTIVE PRESENTATION CASE

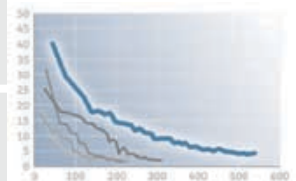
BLADE STEEL
HANDLE SPEC

Single Piece, Full-Tang 440C Stainless Steel (58-60HRC)
Impregnated Real Wood Laminate; Woven Micarta Bolster;
Nickel/Silver Rivet Assembly

COUNTRY OF ORIGIN

USA

	PARING KNIFE	UTILITY KNIFE	CHEF KNIFE
Blade Length	3.50" (8.89cm)	6.00" (15.24cm)	8.00" (20.32cm)
Blade Thickness	0.070" (1.84mm)	0.120" (3.05mm)	0.140" (3.59mm)
Overall Length	7.09" (18.01cm)	10.25" (26.04cm)	13.00" (33.00cm)
Weight	2.10oz (60gm)	4.80oz (136gm)	8.50oz (241gm)
MSRP	4501 \$500 (available only as three knife set)		



BENCHMADE OUTPERFORMED THE WORLD'S FINEST BY NEARLY DOUBLE THE EDGE QUALITY.

BLUECLASS

Our Blue Class represents the heart of everything that is Benchmade. These USA made products are designed and built for the individual who appreciates the difference that a high-quality cutting tool can make.



580BARRAGE™

585MINI-BARRAGE™

Osborne design — Made in the U.S.A.



For the first time ever, Benchmade's best selling AXIS lock gets a boost. These spring assisted models combine speed and strength in one complete package.

- ▶ Strongest Assist Locking Mechanism on the Market
- ▶ Ambidextrous Function
- ▶ Reversible Carry-Clip
- ▶ Two Sizes Available
- ▶ Safety for Both Opened and Closed Position



MODEL	580
LOCKING MECHANISM	AXIS-ASSIST Lock
BLADE STYLE & OPENER	Drop-Point; Ambidextrous Thumb-Studs
BLADE STEEL	154CM Stainless Steel (58-61HRC)
HANDLE SPECS	Valox; Double 420J Stainless Steel Liners; Reversible Bright Split Arrow Clip
MSRP	580 \$130, 580S \$130, 580SBK \$145

BLADE LENGTH	3.60" (9.1cm)
BLADE THICKNESS	0.121" (3.07mm)
OPEN	8.35" (21.2cm)
CLOSED	4.75" (12.1cm)
WEIGHT	4.2oz (119.07g)
HANDLE THICKNESS	0.65" (16.51mm)
COUNTRY OF ORIGIN	USA

MODEL	585
LOCKING MECHANISM	AXIS-ASSIST Lock
BLADE STYLE & OPENER	Mini-Drop Point; Ambidextrous Thumb-Studs
BLADE STEEL	154CM Stainless Steel (58-61HRC)
HANDLE SPECS	Valox; Double 420J Stainless Steel Liners; Reversible Bright Split Arrow Clip
MSRP	585 \$120, 585S \$120, 585SBK \$135

BLADE LENGTH	2.91" (7.4cm)
BLADE THICKNESS	0.100" (2.54mm)
OPEN	6.91" (17.6cm)
CLOSED	4.00" (10.2cm)
WEIGHT	3.4oz (96.3g)
HANDLE THICKNESS	0.57" (14.47mm)
COUNTRY OF ORIGIN	USA

930 KULGERA™

Osborne design — Made in the U.S.A.



Sleek, comfortable and born in the outback, the Kulgera brings form and function together seamlessly.

- › Overall Slim Profile
- › One-Hand Ambidextrous Function
- › Fully Adjustable Blade Pivot
- › Lightweight Everyday Carry



LOCKING MECHANISM	AXIS Lock
BLADE STYLE & OPENER	Modified Drop-Point, Ambidextrous Dual Thumb-Studs
BLADE STEEL	S30V Premium Stainless Steel (58-60HRC)
HANDLE SPECS	CNC Milled Black/Blue Layered G10, BP-1 Coated Stainless Steel Liners, Black Nickel Hardware and Reversible Carry-Clip
MSRP	930 \$200, 930SBK \$215

BLADE LENGTH	3.60" (9.14cm)
BLADE THICKNESS	0.115" (2.92mm)
OPEN	8.00" (20.32cm)
CLOSED	4.40" (11.18cm)
WEIGHT	3.00oz (85.05g)
HANDLE THICKNESS	0.47" (11.94mm)
COUNTRY OF ORIGIN	USA

960

Osborne design — Made in the U.S.A.



- › Custom-Grade Detailing
- › Machine Contoured Handles
- › Polished Blade Finish
- › Titanium Back Spacer



LOCKING MECHANISM	AXIS Lock
BLADE STYLE & OPENER	Modified Drop-Point, Ambidextrous Dual Thumb-Studs
BLADE STEEL	D2 Tool Steel (60-62HRC)
HANDLE SPECS	Color Anodized 6061-T6 Aluminum with Black G10 Inlays, Double 420 Stainless Steel Inset Liners, Color Anodized Titanium Backspacer, Reversible/Removable Carry-Clip
MSRP	960-RED \$200, 960SLV \$200

BLADE LENGTH	3.12" (7.92cm)
BLADE THICKNESS	0.100" (2.54mm)
OPEN	7.28" (18.49cm)
CLOSED	4.16" (10.57cm)
WEIGHT	2.26oz (64.50g)
HANDLE THICKNESS	0.37" (9.39mm)
COUNTRY OF ORIGIN	USA

940

Osborne design — Made in the U.S.A.



- ▶ Overall Slim Profile
- ▶ One-Hand Ambidextrous Function
- ▶ Fully Adjustable Blade Pivot
- ▶ Lightweight Everyday Carry



LOCKING MECHANISM	AXIS Lock
BLADE STYLE & OPENER	Modified Reverse Tanto, Ambidextrous Dual Thumb-Studs
BLADE STEEL	S30V Premium Stainless Steel (58-60HRC)
HANDLE SPECS	Green Color Anodized 6061-T6 Aluminum; Double 410 Stainless Steel Liners, Color Anodized Titanium Back Spacer; Movable Steel Carry-Clip
MSRP	940 \$195, 940SBK \$210

BLADE LENGTH	3.40" (8.64cm)
BLADE THICKNESS	0.115" (2.92mm)
OPEN	7.87" (19.99cm)
CLOSED	4.47" (11.35cm)
WEIGHT	2.90oz (82.21g)
HANDLE THICKNESS	0.41" (1.04cm)
COUNTRY OF ORIGIN	USA

943

Osborne design — Made in the U.S.A.



- ▶ Machined Aircraft Grade Aluminum Handles
- ▶ Precision Fit Components
- ▶ Hard Coat Anodized Handle Finish
- ▶ Movable Carry-Clip



LOCKING MECHANISM	AXIS Lock
BLADE STYLE & OPENER	Straight Clip-Point, Ambidextrous Dual Thumb-Studs
BLADE STEEL	S30V Premium Stainless Steel (58-60HRC)
HANDLE SPECS	Black Color Anodized 6061-T6 Aluminum; Double 410 Stainless Steel Liners, Color Anodized Titanium Back Spacer; Movable Steel Carry-Clip
MSRP	943 \$195, 943SBK \$210

BLADE LENGTH	3.40" (8.64cm)
BLADE THICKNESS	0.115" (2.92mm)
OPEN	7.87" (19.99cm)
CLOSED	4.47" (11.35cm)
WEIGHT	2.90oz (82.21g)
HANDLE THICKNESS	0.41" (1.04cm)
COUNTRY OF ORIGIN	USA

530

Pardue design — Made in the U.S.A.



- ▶ Weighs Less than Two Ounces
- ▶ Ultra-Slim Profile
- ▶ One-Hand Ambidextrous Function
- ▶ Movable Carry-Clip



LOCKING MECHANISM	AXIS Lock
BLADE STYLE & OPENER	Modified Spear-Point; Ambidextrous Thumb-Studs
BLADE STEEL	154CM Stainless Steel (58-61HRC)
HANDLE SPECS	Noryl GTX® 830 Scales; Double 420J Liners; Removable Steel Carry-Clip
MSRP	530 \$100, 530SBK \$115

BLADE LENGTH	3.25" (8.25cm)
BLADE THICKNESS	0.09" (2.28mm)
OPEN	7.42" (18.85cm)
CLOSED	4.17" (10.59cm)
WEIGHT	1.88oz (53.28g)
HANDLE THICKNESS	0.37" (9.39mm)
COUNTRY OF ORIGIN	USA

707 SEQUEL®

McHenry & Williams design — Made in the U.S.A.



- ▶ Generous Drop-Point Blade Shape
- ▶ Machined Aluminum Handle Scales with G10 Inlays
- ▶ One-Hand Ambidextrous Function
- ▶ Movable Carry-Clip



LOCKING MECHANISM	AXIS Lock
BLADE STYLE & OPENER	Modified Clip-Point; Dual Thumb-Studs
BLADE STEEL	154CM Stainless Steel (58-61HRC)
HANDLE SPECS	Machined 6061-T6 Aluminum with Black G10 Inlays, Double Stainless Steel 410 Liners, Movable Steel Carry-Clip
MSRP	707 \$150, 707S \$150, 707SBK \$165

BLADE LENGTH	2.95" (7.50cm)
BLADE THICKNESS	0.100" (2.54mm)
OPEN	6.75" (17.15cm)
CLOSED	3.80" (9.67cm)
WEIGHT	2.60oz (73.70g)
HANDLE THICKNESS	0.42" (10.67mm)
COUNTRY OF ORIGIN	USA

710

McHenry & Williams design — Made in the U.S.A.



- ▶ Reverse Curve Blade Shape
- ▶ Larger Sized Folder
- ▶ Machined G10 Handle Scales



710D2

710SBKD2

LOCKING MECHANISM	AXIS Lock
BLADE STYLE & OPENER	Modified Clip-Point; Dual Thumb Studs
BLADE STEEL	D2 Tool Steel (60-62HRC)
HANDLE SPECS	Black G10 Scales, Double 410 Stainless Steel Liners; Movable Steel Carry-Clip
MSRP	710D2 \$165, 710SBKD2 \$180

BLADE LENGTH	3.98" (10.11cm)
BLADE THICKNESS	0.115" (2.92mm)
OPEN	8.80" (22.34cm)
CLOSED	4.98" (12.65cm)
WEIGHT	4.68oz (132.68g)
HANDLE THICKNESS	0.48" (12.19mm)
COUNTRY OF ORIGIN	USA

610 RUKUS®

615 MINI-RUKUS®

Made in the U.S.A.



- ▶ One-Hand Ambidextrous Function
- ▶ Profiled Handle Shape for Solid Grip
- ▶ Full Drop-Point Blade Geometry
- ▶ Movable Carry-Clip



610SBK

615

LOCKING MECHANISM	AXIS Lock
BLADE STYLE & OPENER	Utility Drop-Point, Ambidextrous Dual Thumb-Studs
BLADE STEEL	S30V Stainless Steel (58-60HRC)
HANDLE SPECS	Black G10 and Olive Micarta Scales, Double 410 Stainless Liners, Movable Carry-Clip
MSRP	610 \$260, 610SBK \$275, 615 \$230, 615S \$230, 615SBK \$245

	610	615
BLADE LENGTH	4.25" (10.80cm)	3.40" (8.63cm)
BLADE THICKNESS	0.150" (3.82mm)	0.121" (3.07mm)
OPEN	10.20" (25.91cm)	8.50" (21.59cm)
CLOSED	5.95" (15.12cm)	5.10" (12.95cm)
WEIGHT	7.86oz (222.83g)	5.90oz (167.26g)
HANDLE THICKNESS	0.79" (19.96mm)	0.65" (16.51mm)
COUNTRY OF ORIGIN	USA	USA

760BKLF*Ti*™

Lum design — Made in the U.S.A.

NEW

Legendary designer Bob Lum's legacy continues with this rock-steady Ti Monolock.

- ▶ Dual Titanium Handles
- ▶ Flawless Titanium Monolock Function
- ▶ Premium Grade Blade Steel



LOCKING MECHANISM Monolock
BLADE STYLE & OPENER Tanto Blade; Ambidextrous Thumb-Studs
BLADE STEEL CPM-M4 Tool Steel (60-62HRC)
HANDLE SPECS Sandblasted Finish; Fixed Location, Tip-Down Carry Clip
MSRP 760BK \$270; 760SBK \$270

BLADE LENGTH 4.00" (10.2cm)
BLADE THICKNESS 0.15" (3.81mm)
OPEN 9.00" (22.9cm)
CLOSED 5.00" (12.7)
WEIGHT 5.00oz (147.86g)
HANDLE THICKNESS 0.45" (11.43mm)
COUNTRY OF ORIGIN USA

480 SHOKI™

Nakamura design — Made in the U.S.A.

- ▶ Contoured G10 and Stabilized Wine Wood Handle
- ▶ Radiant Blue Anodized Titanium Liners
- ▶ Black Nickel Hardware



480 SHEATH

LOCKING MECHANISM	Nak-Lok®
BLADE STYLE & OPENER	Hollow Ground Utility w/Crowned Blade Spine, Thumb-Stud
BLADE STEEL	S30V Stainless Steel (58-60HRC)
HANDLE SPECS	Black G10 w/Stabilized Wine Wood, Stainless Steel Black Nickel Plated Hardware and MIM Custom File Work Emulated Backspacer, 6AL-4V Blue Anodized Titanium Liners
MSRP	480 \$200

BLADE LENGTH	2.89" (7.35cm)
BLADE THICKNESS	0.09" (2.29mm)
OPEN	6.67" (16.94cm)
CLOSED	3.79" (9.63cm)
WEIGHT	1.7oz (48.19g)
HANDLE THICKNESS	0.37" (9.39mm)
COUNTRY OF ORIGIN	USA

740 DÈJÁVOO™ 745 MINI-DÈJÁVOO™

Lum design — Made in the U.S.A.

- ▶ Ergonomic Handle Design
- ▶ Round Thumb-hole Opener
- ▶ Ultra-Premium Blade Steel
- ▶ Two Sizes Available



740

745

LOCKING MECHANISM	Modified Locking-Liner
BLADE STYLE & OPENER	High Ground Utility, Ambidextrous Functioning Thumb-Hole Opener
BLADE STEEL	S30V Stainless Steel (58-60HRC)
HANDLE SPECS	Full 3D Contoured Black G10 Handles; 420J Stainless Steel Support Liner, 6AL-4V Titanium Lock Liner; Removable Steel Carry-Clip
MSRP	740 \$160, 740SBK \$175, 745 \$140, 745SBK \$155

	740	745
BLADE LENGTH	3.95" (10.03cm)	3.25" (8.21cm)
BLADE THICKNESS	0.125" (3.18mm)	0.114" (2.90mm)
OPEN	9.12" (23.17cm)	7.69" (19.53cm)
CLOSED	5.17" (13.13cm)	4.42" (11.23cm)
WEIGHT	4.10oz (116.23g)	3.50oz (99.23g)
HANDLE THICKNESS	0.66" (16.64mm)	0.65" (16.51mm)
COUNTRY OF ORIGIN	USA	USA

890TORRENT™

Steigerwalt design — Made in the U.S.A.

NEW

This Ken Steigerwalt design makes for a perfect EDC.

- ▶ Nitrous™ Assist Allows for Quick, Reliable Deployment
- ▶ Lightweight Everyday Carry
- ▶ Overall Slim Profile



LOCKING MECHANISM Locking-Liner with Nitrous Assist
BLADE STYLE & OPENER Modified Drop Point; Ambidextrous Thumb-Studs
BLADE STEEL 154CM Stainless Steel (58-61HRC)
HANDLE SPECS Black G10 Scales; Tip Down Carry-Clip
MSRP 890 \$150, 890S \$150, 890BK \$165, 890SBK \$165

BLADE LENGTH 3.60" (9.14cm)
BLADE THICKNESS 0.10" (2.54mm)
OPEN 8.20" (20.83cm)
CLOSED 4.60" (11.68cm)
WEIGHT 3.50oz (99g)
HANDLE THICKNESS 0.60" (15.24mm)
COUNTRY OF ORIGIN USA

440 OPPORTUNIST®

Osborne design — Made in the U.S.A.

- ▶ Ultra-Premium Grade Blade Steel
- ▶ Machined Jig-Patterned Aluminum Handles
- ▶ Stabilized Real Wood Handle Onlays
- ▶ Lightweight Everyday Pocket Carry
- ▶ Lanyard Pin



LOCKING MECHANISM	Modified Locking-Liner
BLADE STYLE & OPENER	Modified Wharricliff, Thumb-Stud
BLADE STEEL	S30V Premium Stainless Steel (58-60HRC)
HANDLE SPECS	Anodized 6061-T6 Aluminum with Jig Pattern, Stabilized Wood Scales, 6AL-4V Titanium Locking-Liner
MSRP	440 \$180

BLADE LENGTH	2.99" (7.59cm)
BLADE THICKNESS	0.114" (2.90mm)
OPEN	6.83" (17.35cm)
CLOSED	3.84" (9.75cm)
WEIGHT	1.70oz (48.20g)
HANDLE THICKNESS	0.49" (12.32mm)
COUNTRY OF ORIGIN	USA

100SH20

Benchmade design — Made in the U.S.A.

- ▶ Highly Corrosion Resistant Blade Steel
- ▶ Multi-Feature Molded Sheath



BLADE STYLE	Modified Sheepfoot
BLADE STEEL	X15 T.N Stainless Steel (58-60HRC)
HANDLE SPECS	Full-Tang; Day-glow Yellow Kydex® or Black G10 Scales
SHEATH	Molded Kydex®/Thermoplastic; Reversible Lash Tab Carry-Clip
MSRP	100SH20 \$150, 100SH20-BLK \$150

BLADE LENGTH	3.23" (8.32cm)
BLADE THICKNESS	0.114" (2.90mm)
OVERALL LENGTH	7.50" (19.50cm)
WEIGHT	4.00oz (128.00g)
HANDLE THICKNESS	0.58" (14.80mm)
COUNTRY OF ORIGIN	USA

201 ACTIVATOR®+

Snody design — Made in the U.S.A.

- ▶ D2 Tool Steel for Improved Performance
- ▶ Stabilized Real Wood Handle Scales
- ▶ Leather Belt Carry Sheath with Snap Over



BLADE STYLE	Utility
BLADE STEEL	D2 Tool Steel (60-62HRC)
HANDLE SPECS	Full-Tang; Wine Wood Scales
SHEATH	Stitched Leather with Belt Loop, Color Dyed, Snap Over Strap
MSRP	201 \$130

BLADE LENGTH	3.63" (9.21cm)
BLADE THICKNESS	0.140" (3.57mm)
OVERALL LENGTH	8.13" (20.64cm)
WEIGHT	5.00oz (141.75g)
HANDLE THICKNESS	0.54" (13.59mm)
COUNTRY OF ORIGIN	USA

211 ACTIVATOR®

Snody design — Made in the U.S.A.

- ▶ Stabilized Wine Wood Handle
- ▶ D2 Tool Steel
- ▶ Textured Black Leather Sheath



211 SHEATH

BLADE STYLE	Drop-Point Utility
BLADE STEEL	D2 Tool Steel (60-62HRC)
HANDLE SPECS	Full-Tang, Wine Wood Scales
SHEATH	Deep-Pocket Textured Black Leather Belt-Carry
MSRP	211 \$110

BLADE LENGTH	2.125" (5.40cm)
BLADE THICKNESS	0.140" (3.56mm)
OVERALL LENGTH	5.50" (13.97cm)
WEIGHT	2.40oz (68.04g)
SHEATH WEIGHT	1.50oz (42.52g)
HANDLE THICKNESS	0.39" (9.96mm)
COUNTRY OF ORIGIN	USA

32 MORPHO®

Benchmade design — Made in the U.S.A.

- ▶ Machined Skeletonized G10 Handle Scales
- ▶ Next Generation Kicker-Pin Technology
- ▶ Compact Overall Design
- ▶ Titanium Carry-Clip



LOCKING MECHANISM	Spring Latch
BLADE STYLE & OPENER	Crowned Modified Spear-Point
BLADE STEEL	D2 Tool Steel (60-62HRC)
HANDLE SPECS	Machined and Skeletonized Black G10 Scales, 6AL 4V Blue Anodized and Jeweled Liners, 6AL 4V Blue Anodized and Laser Engraved Movable Titanium Carry-Clip
MSRP	32 \$240

BLADE LENGTH	3.25" (8.26cm)
BLADE THICKNESS	0.100" (2.57mm)
	OPEN 7.29" (18.52cm)
	CLOSED 4.39" (11.15cm)
WEIGHT	2.70oz (76.54g)
HANDLE THICKNESS	0.44" (11.25mm)
COUNTRY OF ORIGIN	USA

42 BALI-SONG® 40TR BALI-SONG®

Benchmade design — Made in the U.S.A.

- ▶ Practical Weehawk Blade Shape
- ▶ Skeletonized Titanium Handles
- ▶ Spring Latch for Easy Open
- ▶ Unparalleled Benchmade Fit and Finish
- ▶ Matching Trainer Model for Safer Practice



LOCKING MECHANISM	Integrated Spring Latch
BLADE STYLE & OPENER	42 Weehawk, 40TR Skeletonized Trainer Safe Blade
BLADE STEEL	42 154CM Stainless Steel (58-61HRC), 40TR 440C Stainless Steel
HANDLE SPECS	Skeletonized Cast 6AL-4V Titanium
MSRP	42 \$280, 40TR \$200

BLADE LENGTH	4.20" (10.67cm)
BLADE THICKNESS	0.125" (3.18mm)
	OPEN 9.40" (23.88cm)
	CLOSED 5.54" (14.07cm)
WEIGHT	4.40oz (124.74g)
HANDLE THICKNESS	0.53" (13.46mm)
COUNTRY OF ORIGIN	USA

GRIPTILIAN®

Every aspect of the Griptilian's genetics has been painstakingly thought out. Over the years the Grips have marked their territory with a vengeance on industry leading mechanics and lightweight carry.



550HG GRIPTILIAN®

555HG MINI-GRIPTILIAN®



Pardue design — Made in the U.S.A.

NSN# 5110-01-451-0707 (550SHG)

NSN# 5110-01-452-2215 (550SBKHG)

- ▶ Two Sizes Available
- ▶ Ambidextrous Thumb-Hole Opener
- ▶ Lightweight Molded Handle
- ▶ Hollow Ground Blade
- ▶ Multiple Configurations Available



MODEL	550HG
LOCKING MECHANISM	AXIS Lock
BLADE STYLE & OPENER	Hollow Ground Modified Sheepfoot; Ambidextrous Functioning Thumb-Hole Opener
BLADE STEEL	154CM Stainless Steel (58-61HRC)
HANDLE SPECS	Black Glass Fill Noryl GTX®/Color Valox®; Double 420J Liners; Reversible Steel Carry-Clip
MSRP	550HG \$100, 550SHG \$100, 550SBKHG \$115, 550SBKHGSD \$115, 550SBKHGSDN \$120, 550T (440C Stainless Steel) \$75

BLADE LENGTH	3.45" (8.76cm)
BLADE THICKNESS	0.115" (2.92mm)
OPEN	8.07" (20.50cm)
CLOSED	4.62" (11.73cm)
WEIGHT	3.25oz (92.13g)
HANDLE THICKNESS	0.64" (16.29mm)
COUNTRY OF ORIGIN	USA

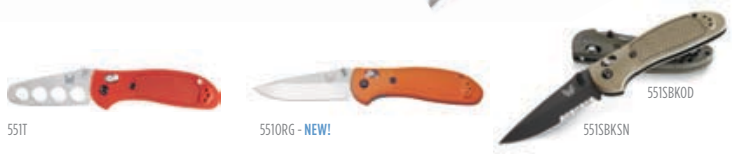
MODEL	555HG
LOCKING MECHANISM	AXIS Lock
BLADE STYLE & OPENER	Hollow Ground Modified Sheepfoot; Ambidextrous Functioning Thumb-Hole Opener
BLADE STEEL	154CM Stainless Steel (58-61HRC)
HANDLE SPECS	Color Valox®; Double 420J Stainless Steel Liners; Reversible Steel Carry-Clip
MSRP	555HG \$90, 555SHG \$90, 555SBKHG \$105, 555SBKHGSD \$105, 555SHG-BLU \$90, 555SHG-YEL \$90, 555HG-PNK \$90, 555SHG-PNK \$90

BLADE LENGTH	2.91" (7.38cm)
BLADE THICKNESS	0.100" (2.54mm)
OPEN	6.78" (17.21cm)
CLOSED	3.87" (9.82cm)
WEIGHT	2.56oz (72.57g)
HANDLE THICKNESS	0.51" (12.95mm)
COUNTRY OF ORIGIN	USA

551 GRIPTILIAN® 556 MINI-GRIPTILIAN®

Pardue design — Made in the U.S.A.

- ▶ Two Sizes Available
- ▶ Ambidextrous Thumb-Stud Opener
- ▶ Grip Textured Molded Handle
- ▶ Premium AXIS Function
- ▶ Multiple Configurations Available



MODEL	551
LOCKING MECHANISM	AXIS Lock
BLADE STYLE & OPENER	Modified Drop-Point; Ambidextrous Thumb-Studs
BLADE STEEL	154CM Stainless Steel (58-61HRC)
HANDLE SPECS	Black Glass Fill Noryl GTX™/Color Valox®; Double 420J Liners; Reversible Steel Carry-Clip
MSRP	551 \$100, 551S \$100, 551SBK \$115, 551SBKOD \$115, 551-ORG \$100, 551S-ORG \$100, 551SBKSN \$120, 551T (440C Stainless Steel) \$75

BLADE LENGTH	3.40" (8.64cm)
BLADE THICKNESS	0.115" (2.92mm)
OPEN	8.07" (20.50cm)
CLOSED	4.62" (11.73cm)
WEIGHT	3.82oz (108.39g)
HANDLE THICKNESS	0.64" (16.29mm)
COUNTRY OF ORIGIN	USA

MODEL	556
LOCKING MECHANISM	AXIS Lock
BLADE STYLE & OPENER	Modified Drop-Point; Ambidextrous Thumb-Studs
BLADE STEEL	154CM Stainless Steel (58-61HRC)
HANDLE SPECS	Color Valox®; Double 420J Stainless Steel Liners; Reversible Steel Carry-Clip
MSRP	556 \$90, 556S \$90, 556SBK \$105, 556SBKOD \$105, 556-BLU \$90, 556S-BLU \$90, 556-YEL \$90, 556S-YEL \$90, 556-PNK \$90, 556S-PNK \$90

BLADE LENGTH	2.91" (7.38cm)
BLADE THICKNESS	0.100" (2.54mm)
OPEN	6.78" (17.21cm)
CLOSED	3.87" (9.82cm)
WEIGHT	2.56oz (72.57g)
HANDLE THICKNESS	0.51" (12.95mm)
COUNTRY OF ORIGIN	USA

553 GRIPTILIAN® TANTO

557 MINI-GRIPTILIAN® TANTO



Pardue design — Made in the U.S.A.

- ▶ Two Sizes Available
- ▶ Enhanced Blade-Tip Strength Design
- ▶ One-Hand Ambidextrous Function
- ▶ Stainless Steel Liners
- ▶ Movable Carry-Clip



MODEL	553
LOCKING MECHANISM	AXIS Lock
BLADE STYLE & OPENER	Tanto, Ambidextrous Thumb-Studs
BLADE STEEL	154CM Stainless Steel (58-61HRC)
HANDLE SPECS	Black Glass Fill Noryl GTX®/Color Valox®; Double 420J Liners; Reversible Steel Carry-Clip
MSRP	553 \$100, 553S \$100, 553SBK \$115, 553SBKOD \$115, 553SBKSN \$120

BLADE LENGTH	3.40" (8.64cm)
BLADE THICKNESS	0.115" (2.92mm)
OPEN	8.07" (20.50cm)
CLOSED	4.62" (11.73cm)
WEIGHT	3.88oz (109.99g)
HANDLE THICKNESS	0.64" (16.96mm)
COUNTRY OF ORIGIN	USA

MODEL	557
LOCKING MECHANISM	AXIS Lock
BLADE STYLE & OPENER	Tanto, Ambidextrous Thumb-Studs
BLADE STEEL	154CM Stainless Steel (58-61HRC)
HANDLE SPECS	Color Valox®; Double 420J Stainless Steel Liners; Reversible Steel Carry-Clip
MSRP	557 \$90, 557S \$90, 557SBK \$105, 557SBKOD \$105, 557SBKSN \$110

BLADE LENGTH	2.91" (7.38cm)
BLADE THICKNESS	0.100" (2.54mm)
OPEN	6.78" (17.21cm)
CLOSED	3.87" (9.82cm)
WEIGHT	2.67oz (75.70g)
HANDLE THICKNESS	0.51" (12.97mm)
COUNTRY OF ORIGIN	USA

555HG-PNK MINI-GRIPTILIAN®

556-PNK MINI-GRIPTILIAN®

Pardue design — Made in the U.S.A.

Benchmade is proud to donate a portion of the profits from the sale of this knife to the Oregon Health and Science University Breast Cancer Institute in Portland, Oregon to benefit their Breast Health Education Program. This program provides medical students, residents and practicing clinicians with standardized training to enhance their ability to detect palpable breast cancer in its earliest form.

- ▶ Two Available Pink Styles
- ▶ Grip Textured Molded Handle
- ▶ One-Hand Ambidextrous Function
- ▶ Movable Carry-Clip



Benchmade is a proud supporter of the OHSU Breast Cancer Research Insititute.

MODEL	555HG-PNK
LOCKING MECHANISM	AXIS Lock
BLADE STYLE & OPENER	Hollow Ground Modified Sheepfoot; Ambidextrous Functioning Thumb-Hole Opener
BLADE STEEL	154CM Stainless Steel (58-61HRC)
HANDLE SPECS	Color Valox®; Double 420J Stainless Steel Liners; Reversible Steel Carry-Clip
MSRP	555HG-PNK \$90, 555HG-PNK \$90

BLADE LENGTH	2.91" (7.38cm)
BLADE THICKNESS	0.100" (2.54mm)
OPEN	6.78" (17.21cm)
CLOSED	3.87" (9.82cm)
WEIGHT	2.56oz (73.00g)
HANDLE THICKNESS	0.51" (12.95mm)
COUNTRY OF ORIGIN	USA

MODEL	556-PNK
LOCKING MECHANISM	AXIS Lock
BLADE STYLE & OPENER	Modified Drop-Point; Ambidextrous Thumb-Studs
BLADE STEEL	154CM Stainless Steel (58-61HRC)
HANDLE SPECS	Color Valox®; Double 420J Stainless Steel Liners; Reversible Steel Carry-Clip
MSRP	556-PNK \$90, 556S-PNK \$90

BLADE LENGTH	2.91" (7.38cm)
BLADE THICKNESS	0.100" (2.54mm)
OPEN	6.78" (17.21cm)
CLOSED	3.87" (9.82cm)
WEIGHT	2.56oz (73.00g)
HANDLE THICKNESS	0.51" (12.95mm)
COUNTRY OF ORIGIN	USA

151 FIXED GRIPTILIAN®

Pardue design — Made in the U.S.A.

- ▶ Mid-Sized for Comfortable Carry
- ▶ Optimum Utility Oriented Blade Style
- ▶ Multi-Feature Sheath Design
- ▶ High Value Price Point

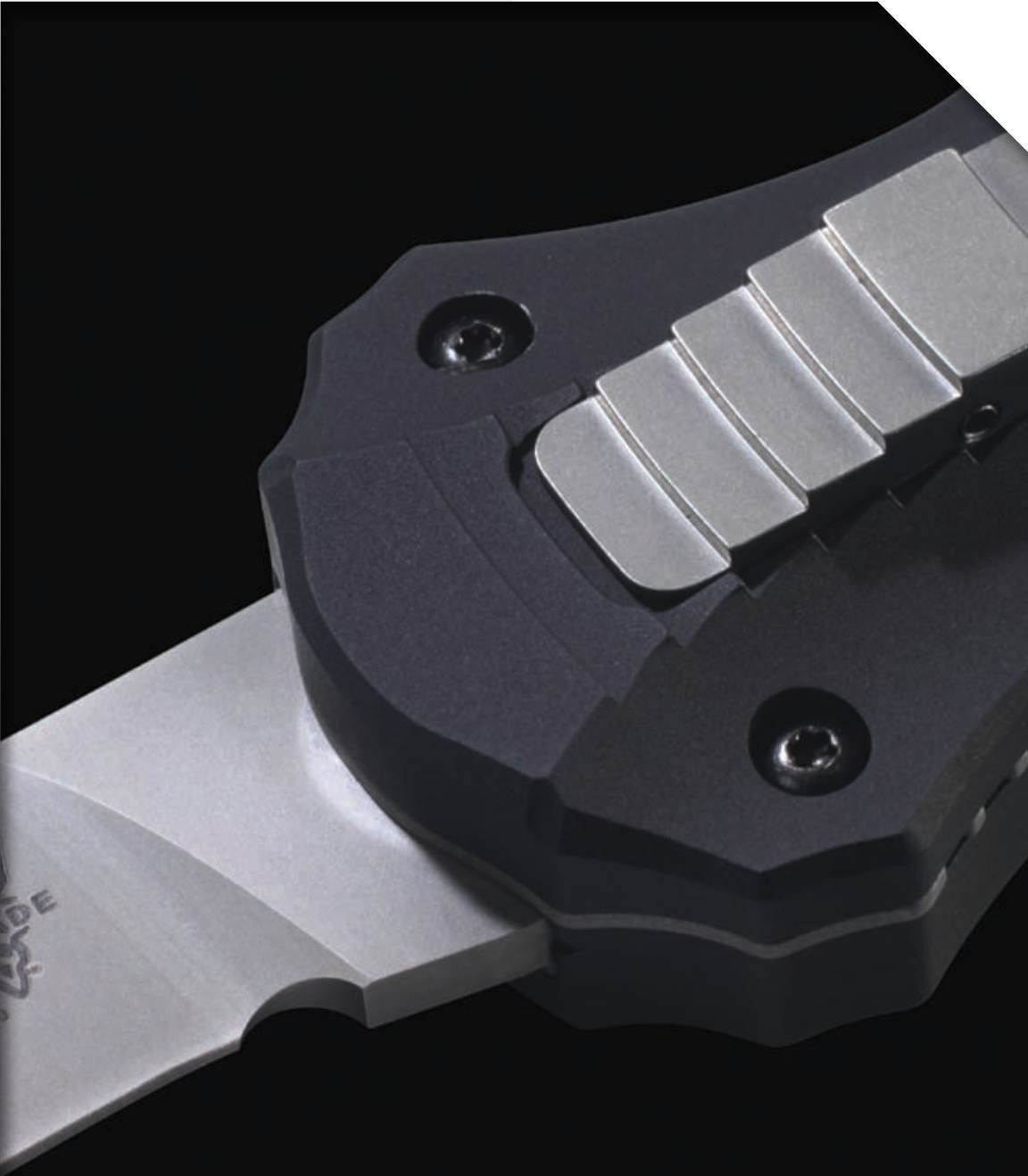


BLADE STYLE	Modified Drop-Point
BLADE STEEL	154CM Stainless Steel (58-61HRC)
HANDLE SPECS	Black Color; Glass Reinforced Nylon With Santoprene® Insert
SHEATH	MOLLE Compatible; Low Profile Ballistic Nylon; Molded Thermoplastic Insert
MSRP	151 \$100, 151SBK \$115

BLADE LENGTH	4.16" (10.56cm)
BLADE THICKNESS	0.120" (3.05mm)
OVERALL LENGTH	8.72" (22.15cm)
WEIGHT	4.60oz (130.41g)
HANDLE THICKNESS	0.63" (15.95mm)
COUNTRY OF ORIGIN	USA

BLACKCLASS

Our Black Class products are designed, developed and tested for extreme duty. They are the preferred cutting tools for Law Enforcement, Public Safety and Elite Military Troops around the globe.



950 RIFT™

Osborne design — Made in the U.S.A.



The 950 Rift is packed with features to help get the job done. Reverse Tanto for toughness, large-bellied blade for all the utility cutting you can throw at it, and textured G10 scales to help you get a firm grip on any situation.

- ▶ Patented AXIS® Mechanics
- ▶ One-Hand Ambidextrous Function
- ▶ Heavily Milled G10 for Tactile Grip
- ▶ Tough 154CM Reverse Tanto Blade



NEW



LOCKING MECHANISM	AXIS Lock
BLADE STYLE & OPENER	Reverse Tanto, Ambidextrous Thumb-Studs
BLADE STEEL	154CM Stainless Steel (58-61HRC)
HANDLE SPECS	Black/Charcoal Layered G10 Scales; Double 420J Steel Liners; Removable Carry-Clip
MSRP	950 \$180, 950SBK \$195, 950-1 \$180, 950SBK-1 \$195

BLADE LENGTH	3.67" (9.32cm)
BLADE THICKNESS	0.114" (2.90mm)
OPEN	8.27" (21.00cm)
CLOSED	4.60" (11.68cm)
WEIGHT	4.80oz (136.08g)
HANDLE THICKNESS	0.56" (14.28mm)
COUNTRY OF ORIGIN	USA

522PRESIDIO® ULTRA 527MINI-PRESIDIO® ULTRA

Pardue design — Made in U.S.A.



NEW

This tactical, lightweight folder delivers strength and speed in any situation.

- ▶ Molded Textured Handles
- ▶ Unparalleled AXIS Function
- ▶ 440C Hollow Ground Blade Steel
- ▶ Drop Point Blade



522SBK

527SBK

MODEL	522
LOCKING MECHANISM	AXIS Lock
BLADE STYLE & OPENER	Hollow Ground Drop-Point, Ambidextrous Thumb-Studs
BLADE STEEL	440C Stainless Steel (58-60HRC)
HANDLE SPECS	Noryl GTX with EDM Finish, Reversible Tip-Up Clip
MSRP	522 \$100, 522S \$100, 522BK \$115, 522SBK \$115

BLADE LENGTH	3.47" (8.81cm)
BLADE THICKNESS	0.125" (3.175mm)
OPEN	8.25" (20.96cm)
CLOSED	4.87" (12.37cm)
WEIGHT	4.8oz (136.07g)
HANDLE THICKNESS	0.64" (1.625cm)
COUNTRY OF ORIGIN	USA

MODEL	527
LOCKING MECHANISM	AXIS Lock
BLADE STYLE & OPENER	Hollow Ground Drop-Point, Ambidextrous Thumb-Studs
BLADE STEEL	440C Stainless Steel (58-60HRC)
HANDLE SPECS	Noryl GTX with EDM Finish, Reversible Tip-Up Clip
MSRP	527 \$90, 527S \$90, 527BK \$105, 527SBK \$105

BLADE LENGTH	2.97" (7.59cm)
BLADE THICKNESS	0.115" (2.92mm)
OPEN	7.12" (18.08cm)
CLOSED	4.15" (10.54cm)
WEIGHT	3.1oz (87.88g)
HANDLE THICKNESS	0.55" (13.84mm)
COUNTRY OF ORIGIN	USA

520 PRESIDIO®

523 PRESIDIO® TANTO

Pardue design — Made in the U.S.A.



- ▶ One-Hand Ambidextrous Function
- ▶ Multi-Directional Positive Grip
- ▶ Fully-Adjustable Blade Pivot



523SBK

520SBK



520T

LOCKING MECHANISM	AXIS Lock
BLADE STYLE & OPENER	520 Drop-Point; 523 Tanto; Ambidextrous Thumb-Studs
BLADE STEEL	154CM Stainless Steel (58-61HRC)
HANDLE SPECS	Black Anodized; Machined 6061 T-6 Aluminum; Double 420J Liners; Movable Steel Carry-Clip
MSRP	520 \$180, 520SBK \$195, 520T \$120, 523 \$180, 523SBK \$195

BLADE LENGTH	3.42" (8.69cm)
BLADE THICKNESS	0.125" (3.17mm)
OPEN	8.29" (21.07cm)
CLOSED	4.87" (12.37cm)
WEIGHT	520: 5.68oz (161.03g) 523: 5.84oz (165.56g)
HANDLE THICKNESS	0.64" (1.625cm)
COUNTRY OF ORIGIN	USA

525 MINI-PRESIDIO®

Pardue design — Made in the U.S.A.



- ▶ Machined Aluminum Handles with Multi-Directional Positive Grip
- ▶ Optimally Sized for Versatile Carry
- ▶ Movable Carry-Clip



525S

525SBK

LOCKING MECHANISM	AXIS Lock
BLADE STYLE & OPENER	Drop-Point, Ambidextrous Thumb-Studs
BLADE STEEL	154CM Stainless Steel (58-61HRC)
HANDLE SPECS	Black Anodized; Machined 6061 T-6 Aluminum; Double 420J Liners; Movable Steel Carry-Clip
MSRP	525 \$165, 525S \$165, 525SBK \$180

BLADE LENGTH	2.97" (7.59cm)
BLADE THICKNESS	0.115" (2.92mm)
OPEN	7.12" (18.08cm)
CLOSED	4.15" (10.54cm)
WEIGHT	3.70oz (104.89g)
HANDLE THICKNESS	0.55" (13.84mm)
COUNTRY OF ORIGIN	USA

912D2/913D2 NITROUS™ STRYKER® 906D2/907D2 MINI-NITROUS™ STRYKER®

Benchmade design — Made in the U.S.A.
NSN# 5110-01-432-6191 (912SBKD2)

- ▶ Superior Quality D2 Tool Steel
- ▶ Double Titanium Locking-Liners
- ▶ G10 Textured Handle Scales
- ▶ Two Blade Style Options
- ▶ Nitrous™ Assist Opening Mechanism



MODEL	912 & 913
LOCKING MECHANISM	Modified Locking-Liner w/Nitrous™ Assist
BLADE STYLE & OPENER	912 Modified Tanto; 913 Modified Spear-Point; Ambidextrous Thumb-Studs
BLADE STEEL	D2 Tool Steel (60-62HRC)
HANDLE SPECS	Black G10 Scales, Double Titanium Liners, Removable Steel Carry-Clip
MSRP	912D2 \$150, 912SBKD2 \$165, 913D2 \$150, 913SBKD2 \$165

BLADE LENGTH	3.70" (9.00cm)
BLADE THICKNESS	0.125" (3.18mm)
OPEN	8.25" (20.96cm)
CLOSED	4.68" (11.89cm)
WEIGHT	3.80oz (108.02g)
HANDLE THICKNESS	0.48" (12.04mm)
COUNTRY OF ORIGIN	USA

MODEL	906 & 907
LOCKING MECHANISM	Modified Locking-Liner w/Nitrous™ Assist
BLADE STYLE & OPENER	906 Modified Tanto; 907 Modified Spear-Point; Ambidextrous Thumb-Studs
BLADE STEEL	D2 Tool Steel (60-62HRC)
HANDLE SPECS	Black G10 Scales, Double Titanium Liners, Removable Steel Carry-Clip
MSRP	906D2 \$140, 906SBKD2 \$155, 907D2 \$140, 907SBKD2 \$155

BLADE LENGTH	3.00" (7.62cm)
BLADE THICKNESS	0.100" (2.54mm)
OPEN	7.25" (18.42cm)
CLOSED	4.25" (10.80cm)
WEIGHT	2.80oz (79.38g)
HANDLE THICKNESS	0.45" (11.35mm)
COUNTRY OF ORIGIN	USA

140 NIMRAVUS®

141 NIMRAVUS® TANTO

Benchmade design — Made in the U.S.A.
 NSN# 1095-01-466-8569 (140SBK)

- ▶ Single Piece Full-Tang Drop-Point or Modified Tanto Blade Shape
- ▶ Large Finger Groove for Added Control
- ▶ Machined Aluminum Handle Scales
- ▶ Multi-Feature Soft Sheath with MOLLE® Capability



OTHER SHEATH OPTIONS
 AVAILABLE SEPARATELY,
 SEE PAGE 59.



MODEL	140
BLADE STYLE	Drop-Point
BLADE STEEL	154CM Stainless Steel (58-61HRC)
HANDLE SPECS	Full-Tang; Anodized Machined 6061 T-6 Aluminum
SHEATH	Multi-Function Soft Sheath, Nylon, MOLLE® Compatible w/ Included Malice Clip
MSRP	140BK \$175, 140SBK \$175, 140SBKSN \$190, 140SBK-ADC \$190, 140T (440C Stainless Steel) \$130

BLADE LENGTH	4.50" (11.43cm)
BLADE THICKNESS	0.115" (2.92mm)
OVERALL LENGTH	9.45" (24.00cm)
WEIGHT	6.20oz (174.95g)
HANDLE THICKNESS	0.58" (14.79mm)
SHEATH WEIGHT	5.00oz (141.75g)
COUNTRY OF ORIGIN	USA

MODEL	141
BLADE STYLE	Modified Tanto
BLADE STEEL	154CM Stainless Steel (58-61HRC)
HANDLE SPECS	Full-Tang; Anodized Machined 6061 T-6 Aluminum
SHEATH	Multi-Function Soft Sheath, Nylon, MOLLE® Compatible w/ Included Malice Clip
MSRP	141BK \$175, 141SBK \$175, 141SBKSN \$190, 141SBK-ADC \$190

BLADE LENGTH	4.50" (11.43cm)
BLADE THICKNESS	0.115" (2.92mm)
OVERALL LENGTH	9.45" (24.00cm)
WEIGHT	5.86oz (161.13g)
HANDLE THICKNESS	0.58" (14.79mm)
SHEATH WEIGHT	5.00oz (141.75g)
COUNTRY OF ORIGIN	USA

147BK NIM CUB II™

Benchmade design — Made in the U.S.A.

NEW

This compact fixed blade was designed in collaboration with elite military airborne personnel.

- ▶ Deep Finger Guard
- ▶ Lightweight Handle
- ▶ Ambidextrous Fitted Sheath and Parachutist Retention Strap



BLADE STYLE	Modified Tanto Blade
BLADE STEEL	154CM Stainless Steel (58-61HRC)
HANDLE SPECS	Noryl GTX; EDM Textured Finish
SHEATH	Molded Nylon Friction Fit with Secondary Snap Closure; MOLLE® Compatible
MSRP	147BK \$135, 147SBK \$135

BLADE LENGTH	3.5" (8.9cm)
BLADE THICKNESS	0.115" (2.92mm)
OVERALL LENGTH	7.87" (20.0cm)
WEIGHT	3.2oz (90.72g)
SHEATH WEIGHT	1.10oz (31.18g)
COUNTRY OF ORIGIN	USA

158CSKII

Benchmade design — Made in the U.S.A.

- ▶ Single Piece Full-Tang Clipped Blade Shape
- ▶ Thicker Blade Construction for Added Tool Strength
- ▶ Tactile Soft Surfaced Handle Grip Pattern
- ▶ Large Integrated Finger Guard Provides Safety
- ▶ Heavy Duty 1095 Carbon Steel Blade



158CSKII
BLACK SHEATH

BLADE STYLE	Combat/Survival Clip-Point
BLADE STEEL	Black Powder Coated 1095 Carbon Steel (57-60HRC)
HANDLE SPECS	Black Santoprene®
SHEATH	Multi-Function Black Leather Sheath, MOLLE® Compatible w/ Included Malice Clip
MSRP	158BK \$100, 158SBK \$100

BLADE LENGTH	6.00" (15.24cm)
BLADE THICKNESS	0.180" (4.57mm)
OVERALL LENGTH	10.75" (27.31cm)
WEIGHT	7.50oz (212.62g)
HANDLE THICKNESS	0.88" (20.29mm)
SHEATH WEIGHT	6.50oz (184.27g)
COUNTRY OF ORIGIN	USA

150BKSN MARC LEE “GLORY” KNIFE

Killian design — Made in the U.S.A.



Designed by Eddie Killian and manufactured at Benchmade’s production facility in Oregon City, OR, this knife honors the fearless actions and heroic behavior of Petty Officer Second Class Marc Alan Lee, the first Navy SEAL to be killed in Iraq since the war began in 2003.

Marc Lee was part of a dedicated Naval Special Warfare team fighting the insurgency in Iraq, supporting the U.S. in its efforts to bring peace and stability to that country. His valorous conduct, exemplary leadership, and extraordinary self-sacrifice for his fellow service members have earned him the highest respect and gratitude of his fellow SEALs, the Navy, and our Nation.

- ▶ Commemorative and Combat Ready
- ▶ Grooved Notches on Handle for Great Grip and Thumb Control
- ▶ A Portion of the Proceeds From Every Knife Sold Will Be Donated to the Marc Lee Foundation- Visit Marcleefoundation.org for More Details



BLADE STYLE	Re-curve blade, BK1
BLADE STEEL	154CM Stainless Steel (58-61-HRC)
HANDLE SPECS	Machined G10 handle applied with Coyote Brown BK1
SHEATH	Multi-Function Soft Sheath, Nylon, MOLLE® Compatible
MSRP	150BKSN \$350

BLADE LENGTH	7.30" (18.5cm)
BLADE THICKNESS	0.19" (4.83mm)
OVERALL LENGTH	12.50" (31.8cm)
WEIGHT	10.10oz (286.33g)
HANDLE THICKNESS	0.75" (19.05mm)
SHEATH WEIGHT	4.80oz (136.07g)
COUNTRY OF ORIGIN	USA

RESCUE HOOKS

5 RESCUE HOOK

Benchmade design - Made in the U.S.A.

- ▶ Unparalleled Rapid Response Cut Ability with a Safer Deployment Design
- ▶ Durable Edge Quality
- ▶ Multiple Carry Options Available

CUTS QUICKLY, SAFELY,
AND EFFECTIVELY WITH
PULLING MOTION



#981607



#981608

OPTIONAL LASH-TAB CARRY-CLIP
ASSEMBLY AVAILABLE SEPARATELY

STANDARD
HARD SHEATH

STANDARD
SOFT SHEATH

5 AVAILABLE
WITH O2 WRENCH

5BLK NOT AVAILABLE
WITH O2 WRENCH

BLADE STYLE	Hook
BLADE STEEL	440C Stainless Steel (58-60HRC)
HANDLE SPECS	Black Oxide or Satin Finish; Finger Hole 1.12" (2.85cm)
SOFT/HARD SHEATH	Nylon Webbing Pouch/Velcro® Closure; MOLLE® Compatible; Molded Delrin® Snap-Fit
MSRP	5 (Hard Sheath) \$30, 5BLK (Hard Sheath) \$30, 5W (Soft Sheath) \$30, 5BLKW (Black Soft Sheath) \$30, 5BLKWSN (Coyote Soft Sheath) \$30, 5BLKWADC (Foliage Green Soft Sheath) \$30

BLADE OPENING	0.50" (1.27cm)
BLADE THICKNESS	0.115" (2.92mm)
OVERALL LENGTH	2.90" (7.37cm)
WEIGHT	1.20oz (33.97g)
HANDLE THICKNESS	0.26" (6.85mm)
SOFT SHEATH WT	0.60oz (16.97g)
HARD SHEATH WT	0.36oz (10.21g)
COUNTRY OF ORIGIN	USA

7BLKW HOOK

Benchmade design — Made in the U.S.A.
NSN# 4240-01-543-9618 (7BLKW)

The 7HOOK is one of the trusty products in our line of professional grade hooks. Flak jackets, tubular webbing, leather boots, Kevlar, seatbelts, and para-cords are just some of the materials you can cut through quickly and reliably in an emergency situation. The 7HOOK is fast becoming a necessity, not an option.

- ▶ Larger Handle w/Vinyl Coating for Grip
- ▶ Multiple Grip Options for Specific Application
- ▶ Multiple Carry Options Available

ONE CHANCE
ONE CUT.

WWW.7HOOK.COM



BLADE STYLE	Hook
BLADE STEEL	7 440C Stainless Steel (58-60HRC); 7H2O X15-TN Stainless Steel (58-60HRC)
HANDLE SPECS	Black Powder Coat Finish w/Grit Dipped Vinyl Handle Coating
SHEATH	Nylon Webbing Pouch w/Velcro® Closure; Retention Band; MOLLE® Compatible
MSRP	7BLKW (Black Sheath) \$30, 7BLKWADC (Foliage Green Sheath) \$30, 7BLKWSN (Coyote Brown Sheath) \$30, 7H2OW \$50, 7BH2OW \$50

BLADE OPENING	0.50" (12.67mm)
BLADE THICKNESS	0.115" (2.92mm)
OVERALL LENGTH	4.30" (10.92cm)
WEIGHT	1.50oz (42.97g)
HANDLE THICKNESS	0.26" (6.85mm)
SHEATH WEIGHT	1.60oz (45.36g)
COUNTRY OF ORIGIN	USA

8BLKWHOOK

Benchmade design – Made in the U.S.A.
 NSN# 4240-01-568-3219 (8BLKW)

- ▶ Unparalleled Rapid Response Cut Ability with a Safer Deployment Design
- ▶ Durable Edge Quality and Versatile Design
- ▶ Larger Handle Area for Heavy Gloved Grip
- ▶ Multiple Carry Options Available



8BLKW



8BLK

NOTE: This sheath is not backward compatible with hooks prior to 2009.

BLADE STYLE	Hook
BLADE STEEL	440C Stainless Steel (58-60HRC)
HANDLE SPECS	Full-Tang; Black Powder Coat Finish
SHEATH	SOFT: Nylon Webbing Pouch w/Velcro® Closure, Retention Band, MOLLE® Compatible; HARD: Molded Nylon Friction Fit with Secondary Lanyard Snap Closure, MOLLE® Compatible
MSRP	8BLK \$30, 8BLKW \$30, 8BLKWADC \$30, 8BLKWSN \$30

BLADE OPENING	0.50" (1.27cm)
BLADE THICKNESS	0.115" (2.92mm)
OVERALL LENGTH	6.50" (16.51cm)
WEIGHT	1.50oz (42.97g)
HANDLE THICKNESS	0.114" (2.89mm)
SHEATH WEIGHT	hard .6oz; soft .4oz
COUNTRY OF ORIGIN	USA

HOUDINI

EMERGENCY RESCUE TOOLS

THE RESCUE TOOL THAT COULD SAVE YOUR LIFE.

HOUDINI PRO 30200 & 30210



WINDOW BREAKER
Spring-loaded tempered glass punch lets you safely exit your vehicle.



SEATBELT CUTTER
Quickly frees you, even when you're upside down.



LED FLASHLIGHT
5-lumen lamp lights the way with approximately 10 hours of runtime.



SAFETY WHISTLE
(only available on Houdini)
Signals for help up to a 1/4 mile away.



HOUDINI 30100



Part # 30200 & 30210 formerly
Benchmade ERT 10105-YEL & 10105-BLK

PRODUCT	PART	MSRP
Houdini Pro	30200 (yellow)	\$40.00
Houdini Pro	30210 (black)	\$40.00
Houdini Keychain	30100	\$25.00

DID YOU KNOW...

There are over 6 million auto accidents per year in the United States alone?

Several hundred thousand people find themselves trapped in their car every year.

AAA estimates that over 11,000 vehicles crash into water each year.

Almost everyday in America someone dies from drowning in their vehicle.

As little as 12-24 inches of moving water can sweep any vehicle off the road.

BREAK. CUT. ESCAPE.

WWW.HOUDINITOOL.COM

REDCLASS

Our Red Class offers “best in class” value. These edged tools possess the same Benchmade mindset of leading innovation, modern materials and quality manufacturing.



10700 NAGARA™

Benchmade design

NEW

This folder features the Nak-Lok™ mechanism and Ti handles. It's one of the most elegant Benchmade Red Class knives ever offered.

- ▶ Anodized Blue Dual Titanium Handles
- ▶ Polished Liners
- ▶ Nak-Lok™ Mechanism



LOCKING MECHANISM	Nak-Lok™
BLADE STYLE & OPENER	Drop-Point Utility with Ambidextrous Thumb-Studs
BLADE STEEL	9CR13 Stainless Steel (58-60HRC)
HANDLE SPECS	Anodized Blue Titanium; Reversible Tip-Up Clip
MSRP	10700 \$100

BLADE LENGTH	3.25" (8.3cm)
BLADE THICKNESS	0.12" (3.05mm)
OPEN	7.5" (19.1cm)
CLOSED	4.25" (10.8cm)
WEIGHT	3.3oz (93.55g)
HANDLE THICKNESS	0.40" (10.16mm)
COUNTRY OF ORIGIN	China

10350APHID™

Benchmade design — Made in the U.S.A.

NEW

Our first-ever Red Class assist! The slim profile makes for easy carry and rapid deployment.

- ▶ Textured Handle for Ample Grip
- ▶ Optimiser™ Assist
- ▶ Reversible Clip



LOCKING MECHANISM	Locking-Liner with Optimiser Assist
BLADE STYLE & OPENER	Drop-Point Utility w/ Ambidextrous Thumb-Studs
BLADE STEEL	440C Stainless Steel (58-60 HRC)
HANDLE SPECS	Valox; Reversible Tip Down Clip
MSRP	10350 \$70; 10350BK \$85

BLADE LENGTH	2.38" (6.0cm)
BLADE THICKNESS	0.100" (2.38mm)
OPEN	5.63" (14.3cm)
CLOSED	3.25" (8.3cm)
WEIGHT	1.65oz (46.49g)
HANDLE THICKNESS	0.38" (9.52mm)
COUNTRY OF ORIGIN	USA

10300 MONOCHROME®

Steirer Eisen design

- ▶ Thumb-Stud Opener for Ambidextrous Use
- ▶ Textured Handle for Ample Grip
- ▶ Lightweight for Comfortable Carry



LOCKING MECHANISM	Monolock
BLADE STYLE & OPENER	Drop-Point Utility with Ambidextrous Thumb-Studs
BLADE STEEL	N690 Stainless Steel (58-60HRC)
HANDLE SPECS	420J Stainless Steel; Removable Steel Carry-Clip
MSRP	10300 \$50, 10300S \$50, 10300B-BLK \$60, 10300SB-BLK \$60

BLADE LENGTH	3.04" (7.72cm)
BLADE THICKNESS	0.115" (2.92mm)
OPEN	7.37" (18.72cm)
CLOSED	4.345" (10.04cm)
WEIGHT	3.84oz (108.86g)
HANDLE THICKNESS	0.35" (9.00mm)
COUNTRY OF ORIGIN	Taiwan

10750 VEX™ 10751 VEX™ TANTO

Benchmade design

- ▶ Textured G10 Handle w/ Deep Pocket Carry Clip
- ▶ Ambidextrous Opener
- ▶ Lanyard Hole w/Bushing
- ▶ Hard, Scratch Resistant Blade Coating



10751SBP

10750BP

LOCKING MECHANISM	Locking-Liner
BLADE STYLE & OPENER	Modified Drop-Point w/Ambidextrous Functioning Thumb-Hole Opener; Tanto with Thumb-Stud
BLADE STEEL	8Cr14 Stainless Steel (56-58HRC)
HANDLE SPECS	Black G10 Handle Scales; BP Coated 420J Stainless Steel Liners; Ergonomic Finger Grooved Reversible Steel Carry-Clip
MSRP	10750BP & 10751BP \$60, 10750SBP & 10751SBP \$60

BLADE LENGTH	3.29" (8.37cm)
BLADE THICKNESS	0.108" (2.74mm)
OPEN	7.72" (19.61cm)
CLOSED	4.43" (11.25cm)
WEIGHT	4.70oz (133.24g)
HANDLE THICKNESS	0.51" (13.08mm)
COUNTRY OF ORIGIN	China

10402-1 TIPIKA® II 10412-1 MINI-TIPIKA® II

Benchmade design

- ▶ Super Lightweight Titanium Backspacer and Handles
- ▶ Copper Spacer Accents
- ▶ Reversible Clip
- ▶ Ergonomic Handle Design



10402S-1

10412-1

LOCKING MECHANISM	Lock Back
BLADE STYLE & OPENER	Clip-Point; Ambidextrous Thumb-Hole
BLADE STEEL	9Cr13 Stainless Steel (58-60HRC)
HANDLE SPECS	Titanium; 420J Stainless Steel Liners; Multiple Placement Steel Carry-Clip
MSRP	10402-1 \$90, 10402S-1 \$90, 10412-1 \$80, 10412S-1 \$80

	10402-1	10412-1
BLADE LENGTH	3.50" (8.89cm)	2.90" (7.37cm)
BLADE THICKNESS	0.118" (2.92mm)	0.110" (2.79mm)
OPEN	8.32" (21.13cm)	6.97" (17.71cm)
CLOSED	4.82" (12.24cm)	4.07" (10.34cm)
WEIGHT	3.88oz (110.00g)	2.75oz (78.00g)
HANDLE THICKNESS	0.453" (11.50mm)	0.44" (11.08mm)
COUNTRY OF ORIGIN	China	China

10452 PIKA® II TANTO

Benchmade design

- ▶ High Clip Placement for Discreet Carry
- ▶ Right and Left Hand Friendly
- ▶ All-Weather Grip Pattern
- ▶ Ergonomic Handle Design



10452SBK

LOCKING MECHANISM	Lock Back
BLADE STYLE & OPENER	Modified Tanto; Ambidextrous Thumb-Studs
BLADE STEEL	9Cr13 Stainless Steel (58-60HRC)
HANDLE SPECS	Molded Thermoplastic; Movable Steel Carry-Clip
MSRP	10452SBK \$45

BLADE LENGTH	3.50" (8.89cm)
BLADE THICKNESS	0.115" (2.92mm)
OPEN	8.30" (21.08cm)
CLOSED	4.80" (12.18cm)
WEIGHT	2.88oz (81.65g)
HANDLE THICKNESS	0.45" (11.49mm)
COUNTRY OF ORIGIN	China

10402 PIKA® II 10412 MINI-PIKA® II

Benchmade design

- ▶ Glass Filled Nylon Handle Scales
- ▶ Dual Stainless Steel Liners for Added Strength
- ▶ Ambidextrous Functioning Thumb-Hole Opener
- ▶ Four Carry-Clip Locations



10402SBK

10412

LOCKING MECHANISM	Lock Back
BLADE STYLE & OPENER	Clip-Point; Ambidextrous Thumb-Hole
BLADE STEEL	9Cr13 Stainless Steel (58-60HRC)
HANDLE SPECS	Glass Filled Nylon; 420J Stainless Steel Liners; Multiple Placement Steel Carry-Clip
MSRP	10402 \$40, 10402S \$40, 10402SBK \$45; 10412 \$35, 10412S \$35, 10412SBK \$40

	10402	10412
BLADE LENGTH	3.50" (8.89cm)	2.90" (7.37cm)
BLADE THICKNESS	0.118" (2.92mm)	0.110" (2.79mm)
OPEN	8.32" (21.13cm)	6.97" (17.71cm)
CLOSED	4.82" (12.24cm)	4.07" (10.34cm)
WEIGHT	3.88oz (109.97g)	2.75oz (77.96g)
HANDLE THICKNESS	0.45" (11.49mm)	0.44" (11.09mm)
COUNTRY OF ORIGIN	China	China

10100LFK

Benchmade design

- ▶ Santoprene Overmold Textured Handle
- ▶ Ambidextrous Opening



LOCKING MECHANISM	Locking-Liner
BLADE STYLE & OPENER	Clip-Point
BLADE STEEL	440C Stainless Steel (58-60HRC)
HANDLE SPECS	Machined 6061-T6 Aluminum with Santoprene Overmold
MSRP	10110 \$100, 10110SBP \$110

BLADE LENGTH	5.20" (13.21cm)
BLADE THICKNESS	0.118" (2.98mm)
	OPEN
	10.25" (26.06cm)
	CLOSED
	6.70" (17.02cm)
WEIGHT	6.70oz (189.94g)
HANDLE THICKNESS	0.76" (19.33mm)
COUNTRY OF ORIGIN	Taiwan

10110S SALMON RIVER FOLDING FILLET 10115 SALMONCREEK FOLDING FILLET

Steigerwalt design

- ▶ Lightweight
- ▶ Slim Profile
- ▶ Large Fillet Blade



LOCKING MECHANISM	Sliding Tail-Lock
BLADE STYLE & OPENER	Fillet
BLADE STEEL	AUS-8 Stainless Steel (58-60HRC)
HANDLE SPECS	Glass Filled Nylon with Thermoplastic Overmold
MSRP	10115 \$30, 10110S \$35

	10115	10110S
BLADE LENGTH	5.80" (14.73cm)	7.09" (18cm)
BLADE THICKNESS	0.063" (1.60mm)	0.068" (1.71mm)
	OPEN	
	11.38" (28.91cm)	13.78" (35cm)
	CLOSED	
	7.00" (17.78cm)	8.52" (21.64cm)
WEIGHT	1.70oz (48.19g)	3.00oz (85.05g)
HANDLE THICKNESS	0.45" (11.40mm)	0.53" (13.36mm)
COUNTRY OF ORIGIN	Taiwan	Taiwan

10610 BENCHMITE® II

McHenry & Williams design

- ▶ Drop-Point Blade Maximizes Cutting Surface Area
- ▶ Levitator® Lock Secures Blade Open and Closed
- ▶ Blank Handle Scale can be Personalized
- ▶ Weighs Less Than 2 Ounces



LOCKING MECHANISM	Levitorator® Lock
BLADE STYLE & OPENER	Modified Drop Point, Nail Nick
BLADE STEEL	AUS-8 Stainless Steel (58-60HRC)
HANDLE SPECS	420 Stainless Steel Scales, 420 Stainless Steel Single-Sided Liner, 420 Stainless Steel Spacer; 10610BP with BP-1 Coated Blade and Outer Handle Scales
MSRP	10610 \$35, 10610BP \$40

BLADE LENGTH	1.92" (4.88cm)
BLADE THICKNESS	0.086" (2.18mm)
	OPEN 4.76" (12.09cm)
	CLOSED 2.83" (7.19cm)
WEIGHT	1.60oz (45.36g)
HANDLE THICKNESS	0.24" (6.15mm)
COUNTRY OF ORIGIN	Taiwan

10210 MINI-AMBUSH®

Pardue design

- ▶ InDraft® Mechanics Add Safety
- ▶ Ambidextrous Carry Options
- ▶ Textured Handle Adds Grip



LOCKING MECHANISM	Rolling Lock®
BLADE STYLE & OPENER	Drop-Point Utility with Ambidextrous Thumb-Studs
BLADE STEEL	AUS-8 Stainless Steel (58-60HRC)
HANDLE SPECS	Thermoplastic; Double 420J Liners; Reversible Steel Carry-Clip
MSRP	10210 \$50, 10210S \$50, 10210SB \$60

BLADE LENGTH	2.96" (7.52cm)
BLADE THICKNESS	0.118" (3.00mm)
	OPEN 6.94" (17.63cm)
	CLOSED 3.98" (10.12cm)
WEIGHT	2.86oz (81.08g)
HANDLE THICKNESS	0.46" (11.61mm)
COUNTRY OF ORIGIN	Taiwan

10536BP INSTIGATOR®

Snody design

- ▶ Skeletonized Handle Provides Gripping Power
- ▶ Molded Sheath Interior for Snug Fit
- ▶ Wharncliffe Blade Style



BLADE STYLE	Modified Wharncliff
BLADE STEEL	AUS-8 Stainless Steel (58-60HRC), BP-1 Coated
HANDLE SPECS	AUS 8 Stainless Steel, Skeletonized, Full Tang
SHEATH	Snap-Fit Molded Kydex®/Thermoplastic With Tether
MSRP	10536BP \$50

BLADE LENGTH	3.28" (8.33cm)
BLADE THICKNESS	0.123" (3.12mm)
OVERALL LENGTH	7.38" (18.79cm)
WEIGHT	2.30oz (65.2g)
HANDLE THICKNESS	0.12" (3.12mm)
COUNTRY OF ORIGIN	Taiwan

10501 RANT® BOWIE 10502 RANT® DPT

Pardue design — Made in the U.S.A.

- ▶ Hollow Ground Blade with Very Fine Edge
- ▶ Molded Pattern Enhances Grip
- ▶ Thick Bolster for Safety



BLADE STYLE	10501: Clip-Point Bowie; 10502: Drop-Point
BLADE STEEL	440C Stainless Steel (58-60HRC)
HANDLE SPECS	Black Santoprene®
SHEATH	Black Leather w/ Belt-Loop
MSRP	10501 \$75, 10501SBK \$90; 10502 \$75, 10502SBK \$90

	10501	10502
BLADE LENGTH	4.48" (11.38cm)	4.48" (11.38cm)
BLADE THICKNESS	0.175" (4.45mm)	0.165" (4.19mm)
OVERALL LENGTH	9.11" (23.14cm)	9.11" (23.14cm)
WEIGHT	7.16oz (202.98g)	6.16oz (174.63g)
HANDLE THICKNESS	0.89" (2.25cm)	0.86" (2.25cm)
COUNTRY OF ORIGIN	USA	USA

PENSERIES



1100 PEN SERIES

Benchmade design — Made in the U.S.A.

- ▶ Ergonomic Knurling Pattern
- ▶ Anodized Aluminum or Stainless Body
- ▶ Cap Securely Snaps Open or Closed
- ▶ Replaceable Ink Cartridges by Fisher Pen Company



PEN THICKNESS	0.50" (1.27cm)
OPEN W/OUT CAP	5.10" (12.97cm)
CLOSED W/ CAP	5.33" (13.54cm)
ALUMINUM WEIGHT	1.30oz (36.85g)
STAINLESS WEIGHT	3.20oz (90.72g)
COUNTRY OF ORIGIN	USA

PEN CAP CONFIGURATIONS	Cap Snaps Securely, Both Open and Closed with Internal O-Ring
1100-1 \$120 Charcoal Body / Blue Tip / Blue Ink	1100-6 \$120 Pink Body / Pink Tip / Black Ink
1100-2 \$120 Charcoal Body / Black Tip / Black Ink	1100-7 \$120 Red Body / Blue Tip / Blue Ink
1100-3 \$180 Stainless Steel / Blue Ink	1100-8 \$120 Red Body / Black Tip / Black Ink
1100-4 \$180 Stainless Steel / Black Ink	1100-9 \$120 Gold Body / Black Tip / Blue Ink
1100-5 \$120 Pink Body / Pink Tip / Blue Ink	1100-10 \$120 Gold Body / Black Tip / Black Ink

1150/1155 PEN SERIES

Benchmade design — Made in the U.S.A.

- ▶ Low Profile, Slim Tactical Sizing
- ▶ CNC Machined Body Cap and Grip
- ▶ Non-Reflective Anodized Components for Tactical Applications
- ▶ Replaceable Ink Cartridges by Fisher Pen Company



PEN CAP	Screw Cap Both Open and Closed
PEN CONFIGURATIONS	1150-1 \$100 Charcoal Body / Blue Tip / Blue Ink 1150-2 \$100 Charcoal Body / Black Tip / Black Ink 1155-1 \$100 Charcoal Body / Blue Tip / Blue Ink 1155-2 \$100 Charcoal Body / Black Tip / Black Ink

PEN THICKNESS	0.39" (1.00cm)
OPEN W/OUT CAP	4.38" (11.13cm)
CLOSED W/ CAP	4.56" (11.58cm)
WEIGHT	0.50oz (14.17g)
COUNTRY OF ORIGIN	USA

1200/1210 PEN SERIES

Reed design — Made in the U.S.A.

- ▶ CNC Machined Aluminum Body, Cap and Grip
- ▶ Heavy Knurl Pattern
- ▶ Perfect Gentleman's Gift
- ▶ Replaceable Ink Cartridges by Fisher Pen Company



PEN CONFIGURATIONS	1200-1 \$150 Silver Body / Blue Ink 1200-2 \$150 Silver Body / Black Ink 1200-3 \$150 Black Body / Blue Ink 1200-4 \$150 Black Body / Black Ink
---------------------------	--

PEN THICKNESS	0.39" (1.00cm)
OPEN W/OUT CAP	5.03" (13.80cm)
CLOSED W/ CAP	5.98" (15.17cm)
WEIGHT	0.95oz (26.93g)
COUNTRY OF ORIGIN	USA



1210-1 &
1210-2

PEN CONFIGURATIONS	1210-1 \$150 Silver Body / Blue Ink 1210-2 \$150 Silver Body / Black Ink
---------------------------	---

PEN THICKNESS	0.58" (1.47cm)
OPEN W/OUT CAP	5.78" (14.70cm)
CLOSED W/ CAP	6.00" (15.25cm)
WEIGHT	1.30oz (36.85g)
COUNTRY OF ORIGIN	USA

EXPECT MORE

Our edged tools combine innovation, high technology, superior materials and a passion to make the best knives possible. You're not just buying a knife. You're buying a Benchmade.



WHAT'S IN A KNIFE?

**STRONGER.
SAFER.
SMARTER.**

There are some very important considerations when it comes to selecting and purchasing a knife.

The alternative could mean frustration with a dull knife, or it could mean regret of something more serious. The choice is yours.

Everyday, whether at work, at home or at play, you are presented with options. Options to accept complacency or the opportunities to search out a better way.

Too often people take their choice of knives for granted when the reality is that if they took the extra time to learn the true differences, it could translate into extra time and money saved over the long haul.

Easier access, enhanced edge retention, durability, and higher standards of manufacturing equate to enhanced performance and more value for the money.

Like most things, knives have evolved over the years. It's well worth your while to take some time to seek out the modern advantages of design and precision manufacturing.

MECHANISM

Can the blade be opened and closed easily and with one hand? Will it open and close intuitively without having to focus on the task? Can the blade be opened in a struggle or within physical limitations? Does it stay open or closed reliably? Is the mechanism proven to enhance function, or merely manufacturer sales?

MATERIALS

Do the materials used enhance performance or offer improved levels of performance over others? Are the materials strong and durable offering added value? Is the blade steel tough and how long will the edge stay sharp? Are the materials used truly what the knife manufacturer says they are?

MANUFACTURING

Does it feel solid and well-built? Does the blade wobble? Do all of the components fit together properly? Does the manufacturer offer a warranty and stand behind its products?



FORWARD THINKING

You must have it to succeed.

And to make certain it never fades, we established the Benchmade Custom Design Team. It's founded on the premise of a high regard for the individual custom knife makers who pour their genuine passions, and given talents into making unique realities one piece at a time. To them, it goes beyond earning a living, it's an opportunity to express their own interpretations of cutting edge design.

Benchmade has perfected a collaboration of efforts with these rogues of conformity, tapping into the newest in locking mechanisms, progressive designs, and the latest in materials. Ultimately, this intellectual exchange transpires into something special in the form of a Benchmade knife.

THE DESIGNERS

MEL PARDUE

The senior team member, Mel has been grinding sparks, making knives and creating a following for 20-plus years. His style has a class and simplicity all its own. The Pardue collaborations offer great utility to the everyday knife user while at the same time presenting an upscale distinction. Less is definitely more with Mel's designs.

BILL McHENRY & JASON WILLIAMS

It runs in the family... Bill and stepson Jason spend their days making exquisite pieces of "art with an edge on it." Their dedication and talents compliment one another very well, and have led to several noteworthy innovations in the knife making world. Benchmade was fortunate to be involved with one such innovation, the AXIS mechanism. The rest is history in the making.

WARREN OSBORNE

Being raised in the farming and ranching industry taught Warren early on what great utility a quality knife can offer. How a knife feels in the hand over extended use, blade design/edge configurations, and the types of materials used are all mandatory considerations of an Osborne design.

SEIICHI NAKAMURA

Engineering was his life's work until he retired to focus his efforts on a passion for custom knife work. He specializes in small Japanese style folders, gentlemen's carry and jewelry knives. His eye for artistry and mechanical engineering make him a perfect fit for the innovative Benchmade team.

ARMIN STUETZ

Armin has been making his fascination with knives a livelihood for many years. Steirer Eisen, his own knife manufacturing company, is located in Styria, Austria. He brings an international presence to the team and says he is only satisfied when his customers are satisfied. Hmm...sounds familiar.

MIKE SNODY

Exploding into the knife making world, Mike has successfully created a name for himself in a short amount of time by wrapping solid function in the guise of contemporary design. His design influence is derived from his own personal experiences. And his "sensitive" side certainly hasn't held him back either.

KEN STEIGERWALT

In 1978 at the age of 15, Ken found himself at the kitchen table with some files and a vise. Three years later he decided that knifemaking was going to be his full time career. Since then, Ken has dedicated himself to wowing the industry with his innovative style and describes his work as a passion and a journey to build a better knife than the last. Benchmade has been fortunate to be involved with one such innovation, the Nitrous™ Assist mechanism. With cycle counts in the upward reaches of hundreds of thousands, the rest is history in the making.

MATTHEW LERCH

Codeveloper of the Nitrous™ Assist mechanism, Matthew has his finger on the pulse of industry leading innovations and will continue to be a valuable contributor to Benchmade's genuine passion for that next, better design.

BOB LUM

With over 30 years of knife designing expertise, an artistic drive both in his craftsmanship of knives and his love for photography; provided Benchmade unique design styles infused with his creativity, thus yielding the highest quality knife possible. Growing up in the Pacific Northwest gave him an opportunity to develop an appreciation for the importance of a fine knife, which comes through in his elegant and utilitarian designs. Thanks, Bob.

OUR MINDSET

It all starts with a commitment to innovation. And for us, it goes beyond simply being innovatively different—Benchmade continually strives to be innovatively better. We believe that when a customer chooses to purchase a Benchmade, they don't do so just to be different, they do so because they want the best. This mindset of innovating for improvement is alive and well throughout Benchmade, it goes into every design, and comes out of every product. Admittedly, it's definitely not the easiest way to make knives, but it's the only way we know how.

Located in the beautiful Pacific Northwest, Benchmade employees are able to work and play in some of the best backyards on the planet. Mt. Hood can be seen from the facility.



MANUFACTURING

The Benchmade manufacturing arsenal contains ultra-modern laser cutters and machining centers dialed in for spot-on tolerances of 0.0005" on command. Our computerized machining centers offer the precision and control usually found only in the aerospace industry. Most of our products are hand assembled for a “go together” fit and finish typically seen only in a custom knife. But it's more than just having modern equipment, for Benchmade, it's having a workforce of dedicated and professionally skilled people knowing how to make it all work together. We also work with a specially select group of outside manufacturing partners, who are willing to go beyond working for us—they work with us to deliver the best product regardless of price point. It's a lot of effort for just a knife, which is why Benchmade knives aren't “just a knife”... they're engineered cutting tools founded on function, built for performance and recognized for both.

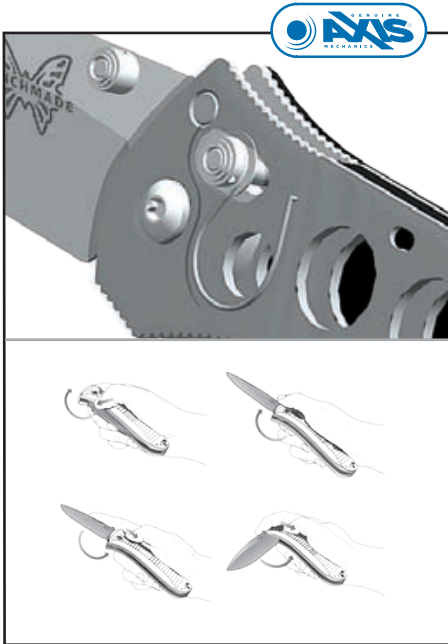
ENGINEERING

Rocket science? Ok, well almost. It all starts with a dedicated Engineering department hell-bent on getting it right—before a milling machine ever starts. It means taking an often times custom design concept and unique designer personality, and then translating it into computer renderings and programs for a multitude of individual manufacturing processes. Our engineers are continually checking and rechecking for perfection, and we are fully integrated with our outside manufacturing partners to ensure our Benchmade quality standards are adhered to. From the latest computer aided design (CAD) software and 3-D modeling technologies to just plain knife-know-how gained from years of experience, it's a test of wills. And when the final prototype is signed off, the customer always wins.

LOCKING MECHANISMS

Seems simple enough. You open the knife, you close the knife. But it's the mechanics of motion that happens in the process of opening and closing, which can make the difference between ordinary and extraordinary. Is the knife easy to actuate, can it be opened with one hand, is it ambidextrous, and will it be reliable when you need it most? These are all essential considerations when it comes to knife mechanics.

Benchmade offers several mechanisms, from patented exclusives like the unparalleled AXIS, to more traditional lock back designs. It all comes down to your level of desired function.

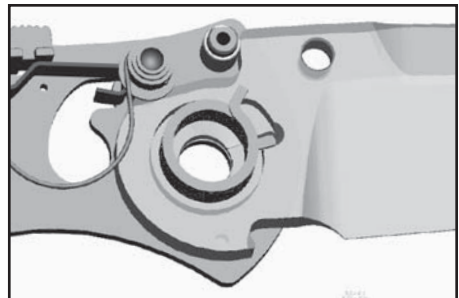


← **AXIS®**

A patented Benchmade exclusive, AXIS has been turning heads and winning fans ever since its introduction. A 100-percent ambidextrous design, AXIS gets its function from a small, hardened steel bar which rides forward and back in a slot machined into both steel liners. The bar extends to both sides of the knife, spans the liners, and is positioned over the rear of the blade. It engages a ramped, tang portion of the knife blade when it is opened. Two omega style springs, one on each liner, give the locking bar its inertia to engage the knife tang. As a result, the tang is wedged solidly between a sizable stop pin and the AXIS bar itself.

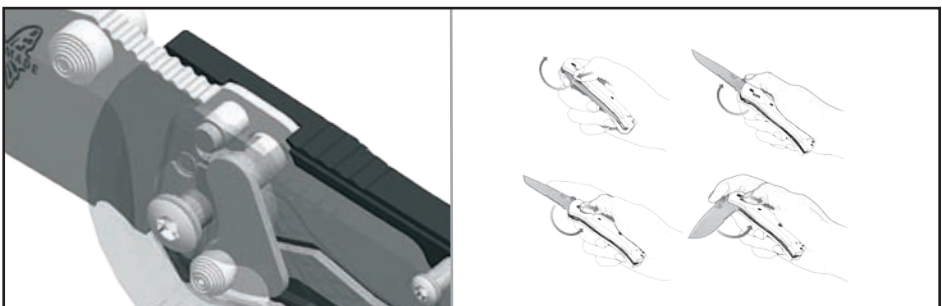
AXIS® ASSIST ↓

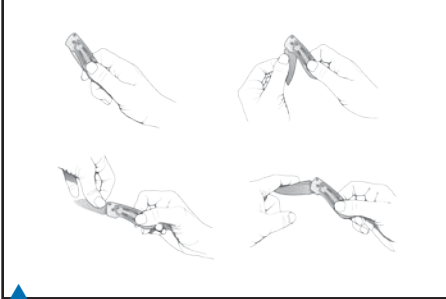
Another patented Benchmade exclusive. All of the advantages of an AXIS lock combined with the power of coil spring assisted opening. The blade is started open with the thumb lug, then the coil spring engages and maintains torque to the fully open position. A safety can be engaged in either the open or closed position for added security.



ROLLING LOCK® **WITH INDRAFT®** ↓

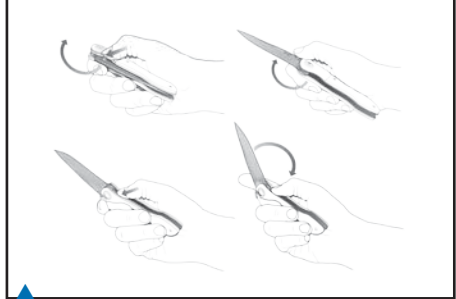
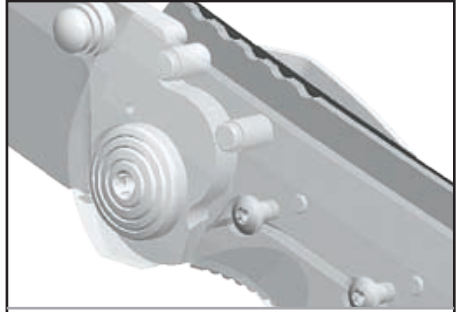
Another patented Benchmade exclusive, the Rolling Lock utilizes a sizable, notched lock-pin which secures against the blade tang when engaged. To disengage, a spring actuated thumb button on the right handle side is drawn back to rotate the lock-pin and free the blade. InDraft, a patented exclusive, is a combination of a slotted liner and a pin in the blade tang working in tandem to generate an inward inertia when closing the blade. This results in one of the safest blade detents available today.





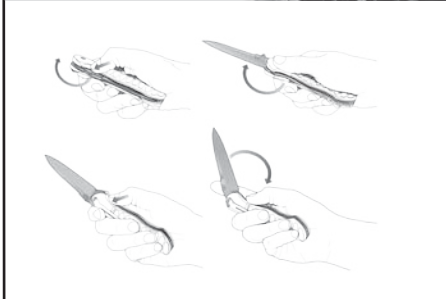
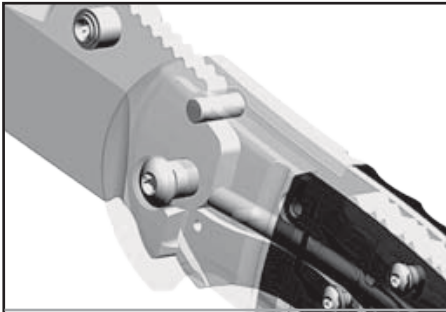
LEVITATOR®

A patented Benchmade exclusive, the knife handle scale/liner is cut to create a spring system which is used to leverage a lock-pin in and out of a notch in the tang of the blade. This spring/pin system effectively locks the blade both in the open and closed positions.



MODIFIED LOCKING-LINER

The basic principle is an integral locking bar within the knife handle being stress bent, enabling it to spring into position behind the rear tang of the blade when the blade is opened. The locking bar wedges against the rear of the blade, locking it open until you physically push it clear and close the blade (locking-liners are made either right or left hand specific). And with a modified locking-liner you get a patented feature which helps to enhance the lock function. The function success and function failure of a locking-liner depends greatly on how well it is made and also the quality of the materials used. With Benchmade, you get both.



OPTIMISER®

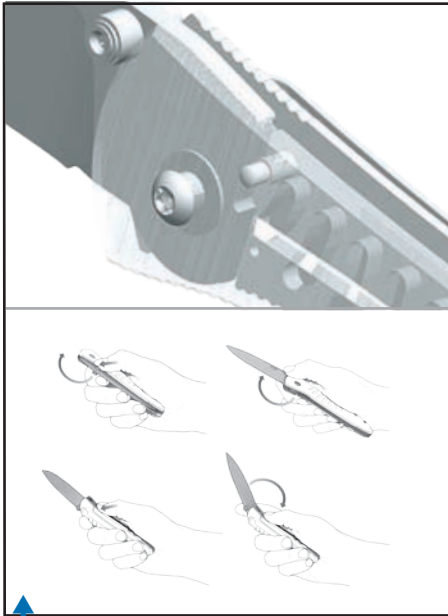
Another patented Benchmade exclusive, which “optimizes” the knife mechanism if the user chooses to do so... A steel torsion bar running the length of the inside handle spine is secured in place and contacts a surface area of the blade tang. As the blade is closed the torsion bar is tensioned against the blade tang, then as the user rotates the blade open to a 30-degree angle, the torsion bar takes over and continues the blade opening process on its own. The huge advantages to the Optimiser design over other similar concepts, is that the blade must be rotated open to beyond a 30-degree angle, which offers added user control. And even more amazing, the Optimiser can be added or removed at the discretion of the user and the knife/mechanism still functions normally. The choice is yours.

NAK-LOK™

Built from the framework of the locking-liner with some innovative updates. The lock engages using tensile strength, compared to the compression hold of more traditional locking-liners. With the Nak-Lok, the possibility of personal injury is greatly reduced with the opening finger never crossing the blades path.

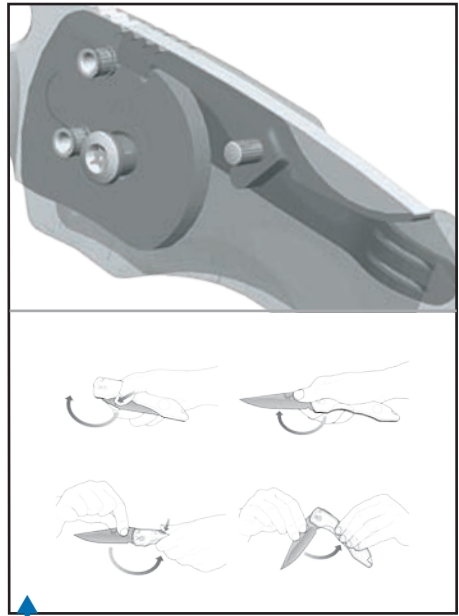


LOCKING MECHANISMS



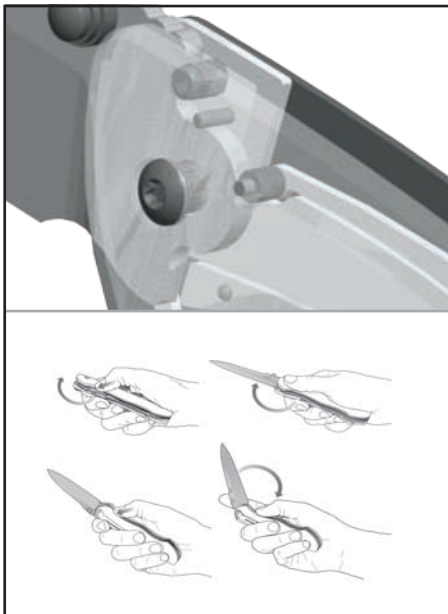
MONOLOCK

The monolock mechanism is basically a locking-liner on steroids. The knife liner is one in the same as the knife handle, and thus it is designed and made to function as the locking mechanism. Subsequently, a thicker material is used to provide enough surface area to be a functional handle, and in turn creates a larger surface area to lock the blade with. If executed properly, the monolock design rates very highly in strength and function.



LOCK BACK

A basic functional lock that is relatively simple and low cost to manufacture. In practice the lock design positions a stop bar parallel to and in direct line with the blade at the upper back or rear tang of the blade to lock the blade open. Basically, as the blade is rotated open, the spring tensioned, center pivoted stop bar tracks around the circular portion of the blade tang until it drops or locks into the notched out tang. And to release the lock, the exposed portion of the stop bar in the handle back is depressed into the handle, pivoting the stop bar out, releasing the locked blade.



← NITROUS™

Another patented Benchmade exclusive, the Nitrous boosts the blade with ease. As the blade is closed the two torsion arms which run the length of the handle liners are secured in place and make contact with the blade tang. As tensioned against the blade tang, the user rotates the blade open to a 30-degree angle, the torsion arms take over and continue the blade opening process on its own. The huge advantages to the Nitrous design over other similar concepts, is that the blade must be rotated open to beyond a 30-degree angle, which offers added user control. The choice is yours.

ADVANCED MATERIALS

So what's it made of? Which blade steel is best? Just a couple of the questions we are asked when people see our knives, and the answers come down to this — Benchmade uses a variety of modern materials specially selected for their superior performance characteristics. We strongly believe that if you're going to put this much effort into designing a custom quality cutting tool, then it only makes sense to build it with materials that compliment its form and enhance its function. And in some instances, it's more than just selecting a certain material; it's what we do to it to bring out the extra edge that sets us apart from everyone else. Bottom line, we would much rather overbuild a knife than risk the alternative. We thought you would like that too.

BLADE STEELS & FINISHES

154CM

An American-made premium grade stainless steel originally developed for tough industrial applications. Known for its best all-around qualities, it offers great corrosion resistance with good toughness and edge quality.

S30V

An American-made and developed premium grade stainless steel created especially for knives. It is a powder-made steel with a uniform carbide distribution and clean steel properties. As a blade material, it offers excellent corrosion resistance and superb edge qualities.

CPM-M4

Special purpose, high-speed steel with a combination of high Carbon, Moly, Vanadium and Tungsten for excellent wear resistance and toughness. A powder-metal, non stainless steel.

D2

An air-hardened tool steel that offers good corrosion resistance and excellent mileage in wear resistance. A good choice for hard use applications.

440C

A high-chromium stainless steel with a terrific balance of good hardness and corrosion resistance. 440C takes a nice edge and is fairly easy to resharpen. An excellent value-priced steel for its performance.

N690

An Austrian made stainless steel, which is comparable to 440C in performance and value. Keen edge qualities with great corrosion resistance.

X15-TN

This French steel was developed for the aircraft industry for jet ball bearings, as well as the medical industry for scalpels. It has the ability to resist rust in the worst of conditions while maintaining ample edge retention. The capability behind this steel is in the way it is manufactured, resulting in the finest steel for use in harsh environments such as salt water. The edge on an X-15-TN blade is easier to maintain.

DAMASCUS

A specially forged, layered steel made up of a variety of steels. It offers remarkable toughness and edge quality. For finishing, the surface layers or lines are exposed through an acid etch which creates a very unique visual effect. Used in special applications due to its inherent high cost and artistic nature.

STEEL	CARBON	CHROMIUM	COBALT	NITROGEN	MANGANESE	MOLYBDENUM	NICKEL	PHOSPHOROUS	SILICON	SULPH	TUNGSTEN	VANADIUM	HRC
154CM	1.05	14.00	-	-	0.50	4.00	-	-	0.30	-	-	-	58-61
S30V	1.45	14.00	-	-	0.50	2.00	-	-	0.50	-	-	4.00	58-60
X15-TN	0.40	16.00	-	-	-	2.00	-	<0.02	-	<0.005	-	0.35	58-60
M2	0.85	4.15	-	0.30	0.30	5.00	0.30	-	0.30	-	5.50-6.75	1.95	58-60
D2	1.50	12.00	-	0.30	0.60	1.00	0.30	-	0.60	-	-	1.00	60-62
N690	1.07	17.00	1.50	-	0.40	1.10	-	-	0.40	-	-	0.10	58-60
440C	0.75	17.00	-	-	1.00	0.75	-	0.04	1.00	0.03	-	-	58-60
8CR13MOV	0.75	14.50	-	-	1.00	0.20	-	0.03	1.00	0.03	-	0.20	57-58
AUS-8	0.75	14.00	-	0.49	0.50	0.10	0.49	0.04	1.00	0.03	-	0.20	58-59
1095	1.00	-	-	-	0.40	-	-	0.04	-	0.05	-	-	57-60
9CR13COMOV	0.85	13.50	1.00	-	1.00	0.20	-	-	-	-	-	0.20	58-60
CPM-M4	1.42	4.0	-	-	-	5.25	-	-	-	-	5.5	4.0	60.62



BK1® COATING

A matte black coating that provides excellent corrosion protection exceeds the ASTM-117 spec for saltwater, and possesses higher scratch resistance.

BP1 COATING

Black Pearl (BP) is a PVD (physical vapor deposition) coating made up of Titanium Carbo-Nitride (TiCN). It is a darker, near black, scratch-resistant coating with nice decorative qualities.

COMBOEDGE®

It denotes our partial serration on the plain edge blade configuration. Benchmade's serration pattern offers ideal cutting ability for fibrous materials such as webbing, straps, netting, or rope.

HEAT-TREATMENT

Over the years we have developed a "special recipe" for heat-treating our blade steels. This process maximizes the steel's molecular structure for a custom toughness and Benchmade superior performance. All steels may be created equally, but that is where it stops when it comes to Benchmade.

HANDLES

CARBON FIBER

A contemporary, premium composite of thin strands of carbon tightly woven into various weave patterns, then set in resin, which is most commonly clear but can be color tinted. It offers great looks and is exceptionally strong for its minimal weight.

MICARTA

Layers of linen cloths soaked in resin and pressured together. Most commonly used on more stylish knives due to its rich color finish qualities.

6061 T-6 ALUMINUM

A nonferrous metal originally developed as a premium aircraft grade aluminum, it offers a solid handle form and function at a nominal weight. Most typically color anodized.

NORYL GTX®

A modern engineered plastic offering high-strength, low flex, and lightweight properties. Molded to form.

G10

An extremely durable makeup of layers of fiberglass soaked in resin, then highly compressed and baked. Impervious to moisture or liquid and physically stable under climate change. Most commonly black, but is available in various colors too.

ZYTEL®

A lightweight glass-filled nylon engineered for strength and durability. Widely used throughout the auto industry in engine-related components. Molded to form.

KYDEX®

A mixture of acrylic and PVC which offers outstanding impact and chemical resistance as well as fire retardancy. Widely used in the auto and aerospace industry. Molded or thermo-formed.

DELIRIN®

A lightweight and durable engineered polymer with low-wear properties. Used throughout the auto industry. Molded to form.

VALOX®

A reinforced resin with excellent stiffness, strength, and dimensional stability. Molded to form.

ANODIZATION

An electrochemical process used for adding color to titanium surfaces. A combination of chemical bath and electrical voltage level generates the desired color. A similar process is used for aluminum with the addition of a chemical coloring bath.

SANTOPRENE®

A thermoplastic elastomer which is molded to specification. It offers excellent flexibility with high tear strength and fatigue resistance. Resistance to many harsh chemicals. These features contribute to improved performance in a range of tough jobs.

LINERS

6AL 4V-TITANIUM

Considered an exotic metal alloy (Titanium + 6% Aluminum + 4% Vanadium) with an excellent strength to weight ratio which offers exceptional performance in a knife. Titanium is corrosion resistant to natural elements as well as many industrial chemicals.

420J STAINLESS STEEL

A common knife grade with low carbon, high chromium content steel which offers excellent bend toughness and wear ability. It offers excellent corrosion resistant characteristics as well. Also used in handles.

SHEATHS

BALLISTICS NYLON

A heavy duty woven nylon fabric originally developed for use in bullet proof vests and body armor. Offers great lightweight sheath durability.

LEATHER


A natural material dating back to man's earliest beginnings in the knife world. It can be easily dyed and tooled for desired visual effect. Offers traditionally accepted levels of performance and design capability.

The following are registered trademarks of their respective companies: Delrin®, E.I. du Pont de Nemours & Company; Zytel®, E.I. du Pont de Nemours & Company; Kydex®, Kierdex Company; Noryl GTX®, General Electric Company; Valox®, General Electric Company; Xylan®, Whitford Worldwide Corporation; Kraton®, Kraton Polymers Company; Santoprene®, Advanced Elastomer Systems

MODEL FEATURE CODES

These codes appear after the Benchmade model numbers. They identify particular feature variations within each model. (Example: Model 140SBK is a Model 140 knife which features partially serrated ComboEdge and BK1 black corrosion resistant coating on the blade). We may do a limited edition of a model where the model number does not change but does get an addition to the ending, such as -701 (example: Blue Class 707-701 SEQUEL®).

- | | |
|--|---|
| (NO CODE) Plain edge/no blade coating | -BLU Blue color handle |
| S ComboEdge™ (partially serrated)/ no blade coating | -YEL Yellow color handle |
| BK Plain edge black corrosion resistant coated blade | -ORG Orange color handle |
| SBK ComboEdge (partially serrated) black corrosion resistant coated blade | -BLK Black color handle |
| B Black anti-reflective, corrosion resistant coated blade (Red Class) | -PNK Pink color handle |
| SB ComboEdge (partially serrated)/ black anti-reflective coated blade (Red Class) | BP BP1 Charcoal color, scratch resistant coating |
| OD Olive Drab color handle | W Soft sheath for rescue hook |
| SN Sand Camouflage color handle | ADC Army Digital Camouflage color sheath |
| CF Carbon Fiber Handle | T Trainer blade with red handle |
| -RED Red color handle | TR Bali-song trainer with red handle |
| SLV Silver color handle | D2 D2 Blade Steel |
| | H20 X15-TN steel, 100% corrosion resistant |
| | DM Damascus Blade |
| | CP Clam pack |



Every effort is made to ensure the accuracy of the prices and information presented in this catalog. However, we reserve the right to rectify any and all errors prior to any sale transactions. This catalog is produced annually. Visit www.benchmade.com for the latest information.

Prices shown are at suggested retail (U.S. currency). Actual purchase prices may vary. All pricing and product specifications are subject to possible change without prior notice.

EXTRAS

There's more to Benchmade than just great knives. We also offer you the service and support to back up or enhance the performance of our knives. From the finest customer service in the industry to branded clothing and specialty items—it's all available for you to take advantage of. And if you find that something is missing or needs improvement, we want to hear about it.



Blue Box

- ▶ Adjust blade tension
- ▶ Remove carry clip
- ▶ Check for loosened screws

INCLUDES:

- ▶ Various bit sizes
- ▶ Bit holder/extension
- ▶ Molded plastic case which doubles as the handle

981084F Blue Box \$12.00



BlueLube™/BlueLube Cleaner

- ▶ Enhance overall knife function
- ▶ Use blueLube cleaner to flush and prep the moving parts
- ▶ Use blueLube to lubricate and prevent rust and corrosion

983901F BLUELUBE (Cleaner) (4oz bottle) \$7.95

983900F BLUELUBE (1.25oz bottle w/ nozzle) \$6.50



Bali-USB Drive

- ▶ USB 2.0 Drive/ 480Mbps transfer
- ▶ 2 Gigabytes storage
- ▶ Flippable abs plastic handles
- ▶ Locking latch
- ▶ Pre-loaded with benchmade computer wallpaper

985215F Bali-USB Drive \$60.00



Benchmade Knife Sharpeners

A. The Tactical Pro Sharpener

- ▶ Easy everyday carry
- ▶ Ceramic honing surface
- ▶ Length 3.00"

983902F Benchmade Tactical Pro Sharpener \$24.95

B. The Mini-Tactical Pro

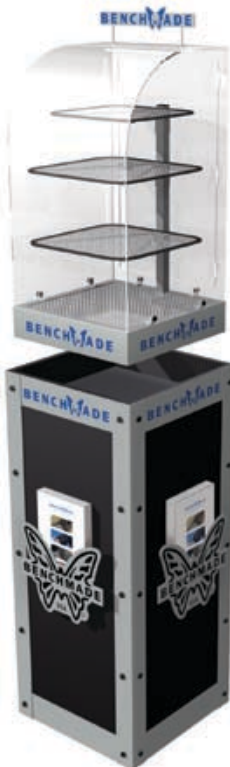
- ▶ Smaller version of the Tactical Pro
- ▶ Length 2.00"

983903F Benchmade Mini-Tactical Pro Sharpener \$19.95

C. Combo Sharpener

- ▶ Diamond honing rod allows you to sharpen serrated portions of the blade
- ▶ Includes sheath for convenient belt-carry
- ▶ Length 5.75"

985547F Benchmade Combo Edge Sharpener \$30.00



Benchmade Product Display

- ▶ Sturdy, industrial-style construction
- ▶ Lockable top and bottom
- ▶ No assembly required

985581F Base \$500.00

985580F Counter \$500.00

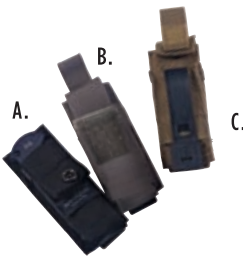
ATTACHMENTS

Folder Pouch (MOLLE® Compatible)

These snap-over hood closure pouches secure the knife well and can be used for belt carry with the Malice® clip (included), and are Molle system enabled too. Heavy stitch and elasticized fit offer a true fit. Available in 3 color options. Made in USA

MOLLE Folder Pouch \$20

- A. 983466F - Black
- B. 983853F - Foliage Green
- C. 983467F - Coyote



140/141 Fixed Sheath (MOLLE® Compatible)

Sheaths come standard with Malice clip and Velcro® adjustable belt hanger for belt carry. Heavy stitch and hard liners stow the knife securely and a snap-around closure snug the handle. Available in 3 color options. Made in USA.

MOLLE Fixed Soft Sheath \$50

- D. 983468F - Black
- E. 983854F - Foliage Green
- F. 983469F - Coyote



155/158 Fixed Sheath Kit

Based on the 140/141 soft sheaths. Built tough enough for any mission. Made in USA. (Only Black Pictured)

MOLLE Fixed Sheath \$60.00

- G. 984143F - Black
- 984145F - Coyote
- 984144F - Foliage Green



Shook/7hook/8hook Pouch (MOLLE® Compatible)

These Velcro® hood closure pouches secure the 5 Rescue Hook for belt carry, and are MOLLE system enabled with the Malice® clip (sold separately). Available in 3 colors. Made in USA.

MOLLE 5 Hook Pouch \$8.00

- H. 981494F - Black
- I. 983856F - Foliage Green
- J. 983855F - Coyote

MOLLE 7 Hook Pouch \$10.00

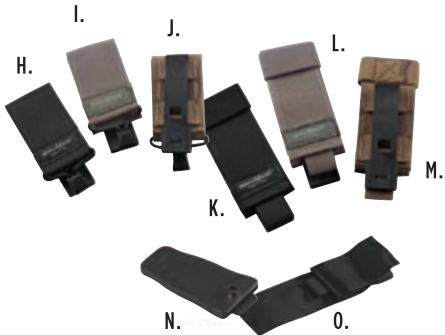
- K. 984166F - Black
- L. 984205F - Foliage Green
- M. 984204F - Coyote

MOLLE 8 Hook Pouch \$12.00

- O. 985398F - Black
- 98570F - Foliage Green (Not Shown)
- 98569F - Coyote (Not Shown)

MOLLE 8 Hook Molded Sheath \$15.00

- N. 985394F - Black
- 985653F - Foliage Green (Not Shown)
- 985654F - Coyote (Not Shown)



Malice Clips

Injection molded connecting-clip to attach sheaths to Molle systems, or to use as a belt loop style carry. Clips securely closed with a snap-lock.

- W. 983551F Large Malice Clip (4.75" size) \$2.00
- Z. 983550F Small Malice Clip (3" size) \$1.50



Sheath Accessories

We offer several carry accessories so you can modify your Benchmade sheaths to suit your carry needs: (NOTE: Some items are limited to model specific applications, and individual lash tabs not pictured).

- P. 981607F Metal-Clip w/lash tab (fits Model 5, 100, 140, 141, 145, 160, 175, 10510) \$10.00
- Q. 981608F Molded Belt-Loop w/bridge (fits Model 100, 140, 141, 145) \$10.00
- R. 981609F Tek-Lok®, large size \$15.00
- S. 981610F Perma-Clips® for large Tek-Lok (set of 2) \$4.00
- T. 981611F Carry-Strap w/4-way lash-tab \$10.00
- 981612F (no pic) Lash-Tab (sewn onto clothing or gear) \$5.00



Folder Pouch/Soft Sheaths

Snap-buckle closure flap, can be worn as a belt carry, or lashed to a shoulder strap with the Velcro lash straps. Made in China.

U. 983170F Folder Pouch, Black \$15.00

There are two different sizes (small: 1.625" W x 5.00" D; large: 2.00" W x 5.25" D) for folders, and a 4-inch Bali-Song sheath (not pictured). All soft sheaths are 1680 denier poly-ballistic nylon with liners and Velcro® closures. Made in USA.

V. 981086F Soft Sheath, Small (1.625" W x 5" D), black \$10.00

- 981087F Soft Sheath, Large (2" W x 5.25" D), black \$10.00
- 981717F Soft Sheath, Bali-Song Series, black \$10.00



CARRY & CUSTOMIZE

Benchmade Brag-Bag System



Brag-Bag Base Shell

- › Tri-Fold Folio (17.75" W x 10.50" folded x 33" flat H)
- › Features 10 Individual Knife Slot Areas (6" D x 3" W)
- › Velcro Closures and Clear Vinyl Visibility for Folders
- › Full-Width Zippered Flat Files Behind Knife Slots
- › Zippered Utility Storage Pouch on Outer Shell
- › Padded Handle and Adjustable/Removable Shoulder Carry Strap (1.5" W x 48" L)

983445F Brag-Bag Shell \$60.00



Brag-Bag Pages

- › Feature Individual Knife Slot Areas
- › Velcro Closures and Clear Vinyl Visibility
- › Folder Page (16.25" x 20" L) Holds 10 Individual Knife Slots
- › Fixed Blade Page (3.5" W x 14" L) Holds 4 Individual Knife Slots

983446F Brag-Bag Folder Page \$20.00

983447F Brag-Bag Fixed Blade Page \$20.00



Benchmade Knife Attaché

- › Soft Carry-Case Holds 12 Folders
- › Shell Constructed of Heavyweight Denier
- › Deep Plush Interior Lining
- › Velcro Flap Closure

981456F Knife Attaché \$35.00



Small Pen Case

- › Polyester Folded Folio 5.5" W x 8" H
- › Features 10 Individual Pen Slot Areas
- › Zippered Closures with Protective Padded Separator

985663F Small Pen Case \$20.00

Large Pen Case

- › Polyester Folded Folio 8" W x 9.5" H
- › Features 20 Individual Pen Slot Areas
- › Zippered Closures with Protective Padded Separator

985662F Large Pen Case \$25.00

CLOTHING



One Chance, One Cut Tee

White butterfly logo on left back
M, L, XL, 2XL \$25.00

Failure is Not an Option Tee

White butterfly logo on left back
M, L, XL, 2XL \$25.00



Grayfly Hoodie

S, M, L, XL, 2XL \$40.00



Property of Benchmade Tee

White or Ash – S, M, L, XL, 2XL \$25.00



Property of Benchmade Hoodie

S, M, L, XL, 2XL \$40.00



Speed Butterfly Tee

Black or White – S, M, L, XL, 2XL \$25.00



Speed Butterfly Hoodie

Black or White – S, M, L, XL, 2XL \$40.00



Black/Gray Sport Jacket

Designer styled urban look in a lightweight jacket. A nylon/cotton shell with nylon mesh and taffeta lining. Zippered front, adjustable cuffs, zippered sleeve pocket and other functional features. S, M, L, XL, 2XL \$80.00



Flexfit® Hat/ Blue Hat

Black Flexfit with silver embroidered logo on facing and American flag embroidered on front left panel. S-M, L-XL \$20.00
Blue with Velcro® adjust and silver embroidered logo on front USA flag embroidered on left side. One size fits all \$18.00



Logo Beanie

One Size Fits All \$12.00

SPECIAL SERVICES

LIFESHARP® SERVICE

There's never a dull moment with a Benchmade. That's right! We will gladly resharpen your Benchmade knife to a factory razor sharp edge (service does not apply to any serrated portion of the blade). If you prefer us to sharpen your blade, or if you may have neglected to maintain your edge for a while, simply ship your knife to us. We'll not only sharpen it, we will also inspect the knife for any warranted repairs and "tune" the knife for optimum performance. Simply ship the knife to the Benchmade address, postage paid and insured. Please enclose your return shipping address with \$5.00 to cover return shipping charges.



PERSONALIZED LASER MARKING

Put your name on it. Make it yours. Commemorate an event or outfit the club. Whatever the circumstance, now you can have your logo or artwork laser-etched onto any of the Benchmade knives. Depending on the particular model, the mark can be placed either on the blades, or in some models, on the handles. If you are interested in this special service, simply call a Benchmade customer service representative at 800.800.7427. Basic set-up charges and quantity restrictions do apply.

THE ULTIMATE SOURCE: BENCHMADE.COM

Stay connected with everything Benchmade. From views of every Benchmade model configuration to creating a list of your personal favorites for future reference and improvement of your Benchmade cyberspace experience. For the new Benchmade visitor, there's expanded product and technical information to make your "initiation" process easier. And for you Benchmade addicts, you can get your fix of the latest model introductions as well as share your knife knowledge and Benchmade experiences with the rest of the world. The web site also has a handy dealer locator so you can find your nearest source for cutting edge innovation close to home. Or, if you prefer, you can buy direct from the factory and have it shipped right to your door. So your inside track on everything Benchmade is only a click away at BENCHMADE.COM.



WARRANTY

LIMITED LIFETIME WARRANTY

Benchmade Knife Company, Inc. ("Benchmade") warrants to the original owner that this knife will be free from defects in materials and workmanship. Benchmade will, without charge, repair or replace, at Benchmade's option, any knife returned for Warranty work and found to be defective by Benchmade. The knife must be shipped by owner prepaid and insured freight, together with a description of the problem, and must be accompanied by the original bill of sale, your charge or credit card receipt or any satisfactory proof of the original date of purchase from a retail dealer. Any automatic knife returned for Warranty service from outside of Oregon must also include a copy of the owner's active police or military identification, or be returned through the authorized Benchmade dealer from whom the knife was originally purchased.

NO EXCEPTIONS WILL BE MADE.

WHAT IS COVERED

This Warranty covers replacement parts and labor.

WHAT IS NOT COVERED

This Warranty does not cover normal wear, resharpening of the blade, damage caused by neglect, misuse or the failure to perform normal or necessary maintenance, disassembly of any knife by any person other than Benchmade's Warranty department, or shipping costs for returned knives.

Do not use your new knife as a screwdriver, prybar, chisel or punch. Do not throw your knife or use it for any purpose other than cutting. Do not disassemble your knife. Do not sharpen your knife on a power grinding wheel. Any of these acts will void your Warranty. **MINIMUM CHARGE TO REASSEMBLE A KNIFE WHEN THE WARRANTY HAS BEEN VOIDED IS \$20 PLUS PARTS.**

Repair or replacement as provided under this Warranty is the exclusive remedy of the consumer. Benchmade shall not be liable for any incidental, reliance, or consequential damages or breach of implied Warranty on this product, including any damage to person or property. Benchmade's liability under any circumstances is limited to the purchase price. Some states do not allow exclusion or limitation of incidental or consequential damages, so the above limitations or exclusions may not apply to you. This Warranty gives you specific legal rights, and you may also have other rights which vary from state to state.

This knife has only one use, as a cutting tool. Benchmade's knives carry no warranty except as expressly contained herein. Benchmade disclaims all warranties of merchantability and fitness for a particular purpose other than for use as a cutting tool. There are no warranties which extend beyond the description contained herein.

Please review the Warranty information and proper knife care instructions provided with each knife.

ORDERING OF AUTOMATIC KNIVES

Automatic knives are available for sale in Oregon state. All orders for automatic knives must be on departmental purchase order or letterhead with wording to the effect that the knives will be used as duty items. All orders for automatic knives must be faxed or mailed. We cannot accept phone orders for automatic knives. The sales of automatic knives is Federally regulated (refer to catalog inside cover for Federal Statutes), always check permissibility within your state or locality as non-Federal personnel may be precluded from ownership or use by State laws. **NO EXCEPTIONS WILL BE MADE.**

SHIPPING OF AUTOMATIC KNIVES

All AUTOMATIC knives shipped by Benchmade will be done via the following couriers, UPS, FedEx, etc. and CANNOT be shipped through the U.S. Postal

Service. Also please note that all returns of automatic knives must be shipped via alternate couriers, UPS, FedEx, etc. This in accordance with the policies of the U.S. Postal Service. Thank you.

ARE ASSIST OPEN KNIVES LEGAL?

The way that the Benchmade assist opener knives are designed and built, they are not considered an automatic or switchblade under Federal interpretations. The Optimiser® and new Nitrous™ assist mechanisms must be initiated with the user manually overcoming the pull of the torsion bar or, split liner systems to activate the assist function. This is done through the use manually or, physically having to engage the blade first before opening. And, as an added safety feature, the Benchmade assist openers must have their blades rotated open to an approximately 20 to 30-degree open angle BEFORE the assist engages. This eliminates the need and complication of a secondary safety mechanism.

Even though the Benchmade assist opener models are not classified as automatics or switchblades, it is still recommended that the user research and verify the legalities in their own specific areas. Knife laws and regulations are subject to local interpretations and may change frequently.

The purchase, use and ownership of knives is subject to a wide variety of local laws and regulations. It is impossible for Benchmade Knife Company to know or interpret all of these laws. It is the responsibility of the buyer to be aware of the laws which govern them in their specific area wherever that may be. We encourage the responsible ownership and use of knives as one of mankind's oldest tools. Be smart and be safe.

BENCHMADE IS PROUD TO BE A CHARTER MEMBER OF AKTI. GET INVOLVED. HELP TO PROTECT YOUR KNIFE FREEDOMS.

JOIN AKTI TODAY!

877.752.8770 OR WWW.AKTI.ORG



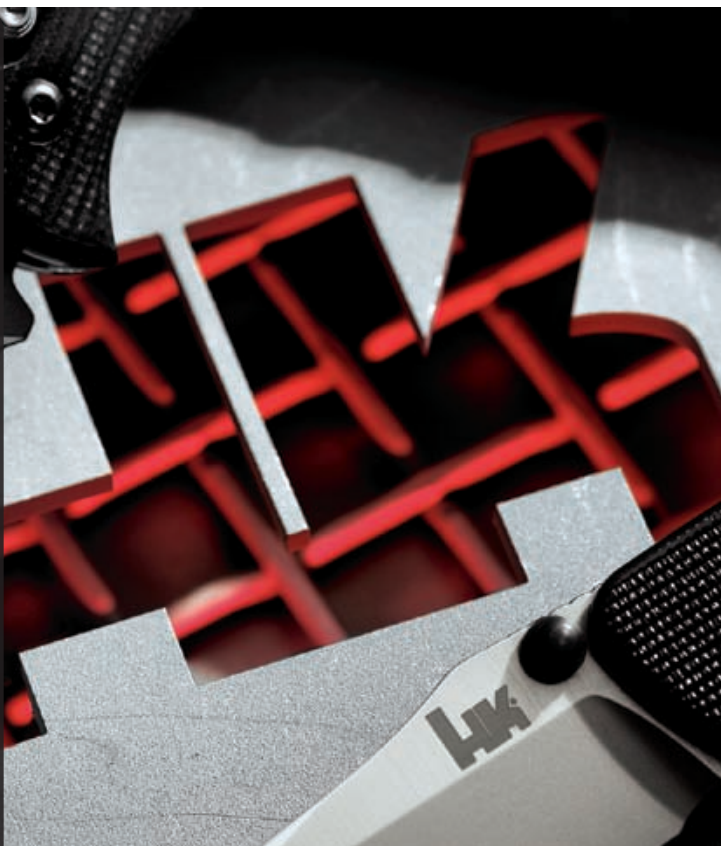
The following are trademarks of Benchmade Knife Company, Inc., Oregon City, Oregon USA: Brag Bag; Blue Lube; Blue Morpho; Instigator; Rukus; Skirmish. • The following are registered trademarks of Benchmade Knife Company, Inc., Oregon City, Oregon USA: Benchmade; Activator; Ambush; Apparition; Ares; AXIS; Ball-Song (butterfly logo); BenchKote (BK); Benchmite; BILT (Bolted In-Line Tang); BK1; BTZ; ComboEdge; Gamer; Gravitator; Griptilian; InDraht; Jujū; LEVITATOR; LifeSharp; MonoChrome; Nimravus; Offsider; Opportunist; Optimiser; Outbender; Pika; Presidio; Prestidgedges; Rant; Reflex; Resistor; Sequel; Snipe; Stryker; Switchback. • NOTE: We reserve the right to make any design and/or material modifications without prior notice. • Benchmade products are manufactured under one or more of the following patents: Safety Lock for Automatic Folding Knife- U.S. Patent No. 5,822,866; Blade Lock Mechanism for Folding Knife (Modified Locking Liner)- U.S. Patent No. 5,755,035; Pocket Knife With Lock (AXIS Lock)- U.S. Patent No. 5,737,841; Folding Knife (Design, Stryker Model)- U.S. Patent No. D408,706; Knife Blade (Design, Stryker Model)- U.S. Patent No. D409,070; Folding Knife With Grooved Handle (Design, Model 350, 3550)- U.S. Patent No. D397,017; Grooved Knife Handle (Design, 350, 3550)- U.S. Patent No. D397,020; Folding Knife (Design, Ascent Model)- U.S. Patent No. D385,173; Knife Design (Design, Ascent Model)- U.S. Patent No. D384,871; Portion Of A Blade For A Knife (Design, Pardue Model 720 Knife)- U.S. Patent No. D426,132; Knife Blade (Design Model 140/145)- U.S. Patent No. D425,389; Knife Handle (Design, Model 705)- U.S. Patent No. D428,789.

Other Patents Pending.

HK KNIVES

Exclusive designs, flawless craftsmanship and a solid reputation to back it up are what makes these serious tools. So whether you are an HK gun enthusiast or someone who is just looking for another reason to buy a great knife, these are it. For product information go to HK-KNIVES.COM or visit your authorized Benchmade dealer.

HK is a registered trademark of Heckler & Kock Inc.



HARLEY-DAVIDSON KNIVES

With two American companies hell-bent on manufacturing working pieces of art — it seems like a match made in heaven. High technology, superior materials, and a passion to produce the best knives possible. For product information go to www.h-dknives.com

SO GO AHEAD – SHARPEN YOUR RIDE!



HARLEY-DAVIDSON
KNIVES

AUTOMATICS

Benchmade Knife Company manufactures what are arguably the finest automatic* knives available in the world today. Out in the field failure is not an option. This is why we build our knives to exceed industry standards and expectations.

9051/9052 AFO II

Benchmade design — Made in the U.S.A.

Based on the 9050AFO, the 9051AFO II advances a proven tool used in all branches of the Armed Forces. The redesigned AFO incorporates a stronger, more reliable lock, open back design, larger button and steel pommel.

- ▶ New and Improved Push Button Lock is more than 30% Stronger than Previous Version
- ▶ Larger Button Release and Increased Finger Guard
- ▶ Faster and Stronger Spring Mechanism
- ▶ Open Backspacer Design for Easy Maintenance
- ▶ New Steel Glass Breaker on Butt End



*Within the United States, automatic open knives are subject to compliance with the Federal Statutes of interstate commerce.

BENCHMADE HEROES

Benchmade is proud to honor and recognize the extreme sacrifices made by Public Safety Officers and Military Personnel worldwide. Our world is a safer and better place due to the heroic actions of these brave men and women. For more information on the organizations that we support, please visit Benchmade.com/heroes.



BENCHMADE KNIFE COMPANY, INC
300 BEAVERCREEK ROAD
OREGON CITY, OREGON 97045 USA

TELEPHONE
800.800.7427 503.655.6004

CUSTOMER SERVICE FAX
503.496.1896

EMAIL
INFO@BENCHMADE.COM

WEB
BENCHMADE.COM

BENCHMADE[®]
300 BEAVERCREEK ROAD
OREGON CITY, OR 97045

PRSRT STD
US POSTAGE
PAID
OREGON CITY, OR
PERMIT NO. 25

All trademarks and copyrights are the property of
Benchmade Knife Company, Inc.
Notice, one or more patents may apply.
©2009 BENCHMADE KNIFE CO. INC • Printed in USA