



BENCHMADE®

2008
CONSUMER
CATALOG

HELLO!

Welcome to Benchmade. Whether you are already one of our many esteemed Benchmade customers or, checking us out for the first time I am confident you will be impressed with what we have to offer you. As you thumb through — know that the multi-talented and highly dedicated team of Benchmade employees put heart and soul into every knife built. That's not the easy way— that's the Benchmade way.

Each year brings many great new products from Benchmade and 2008 will be no exception. Out the gate, the Nak-Lok™ changes the way you will think about a locking-liner and does so in classic Benchmade style. I am also excited to welcome Seiichi Nakamura as the newest member of the custom design team; he brings a wealth of artistic craftsmanship and mechanical skill to the table. With designs and innovations pushing each class to their highest levels of quality, performance and value - expect Benchmade to be shaking things up in 08.

Whatever your specialty cutlery needs, I realize you have many choices when it comes to purchasing knives. Know that if you choose Benchmade, you are choosing a brand built on cutlery, with a solid reputation earned by delivering the finest production knives. You have my word on it.

It's Benchmade.

Les de Asis
Founder and Owner

BENCHMADE®





930
KULGERA™
PAGE 09



480
SHOKI™
PAGE 14



555HG-PNK/556-PNK
MINI-GRIPTILIAN®
PAGE 25



1100-1/1100-2
PENSERIES™
PAGE 64



950
RIFT™
PAGE 29



906D2/907SBKD2
MINI-NITROUS™STRYKER®
PAGE 30



158
CSK II
PAGE 33



8BLKW
HOOK
PAGE 36

NEW 08 MODELS



10751
VEX™
PAGE 39



10402-1/10412-1
TIPIKA®II/MINI-TIPIKA®II
PAGE 41



10105-BLK
ERT-1®
PAGE 42

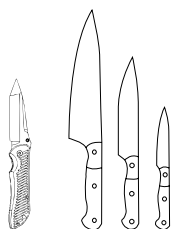


10501
RANT®BOWIE
PAGE 46

2008 PRODUCT MATRIX

This represents the product listing of all available models. For the most current listing of products please frequent the Benchmade website. As we are always releasing new products throughout the year.

GOLDCLASS

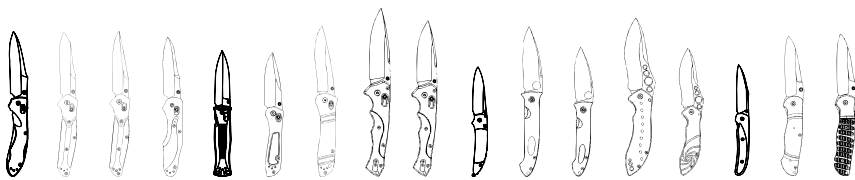


912

4501

PGS 04 - 06

BLUECLASS



930

940

943

960

530

707

710

610

615

480

740

745

630

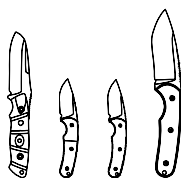
635

440

672

670

FOLDERS PGS 07 - 15



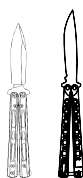
100

210

211

201

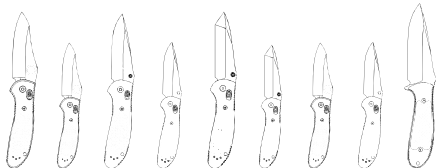
FIXED BLADES PGS 18 - 19



32

42

BALI-SONGS PG 20



550

555

551

556

553

557

555

556

151

GRIPTILIANS PGS 21 - 26

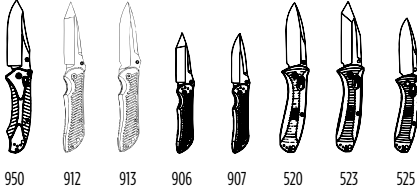


1100-1

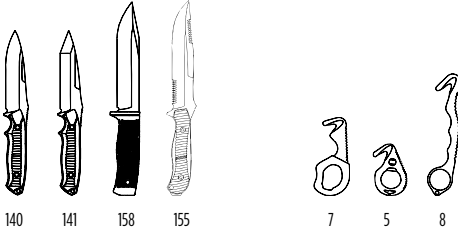
1100-2

PEN SERIES PG 64

BLACKCLASS



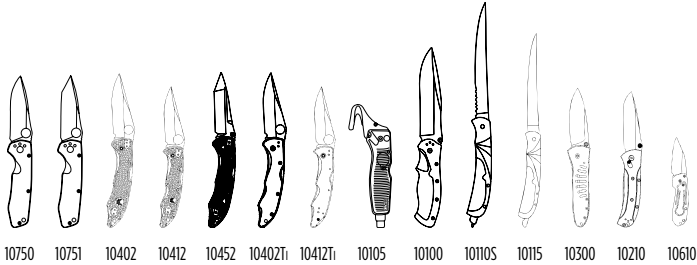
FOLDERS PGS 27 - 31



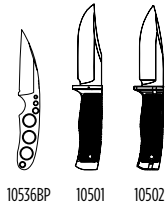
FIXED PGS 32 - 33

HOOKS 34 - 36

REDCLASS



FOLDERS PGS 37 - 45



FIXED BLADES PGS 45 - 46

MISC

WHAT'S IN A KNIFE PG 48

FORWARD THINKING/OUR MINDSET PGS 49 - 50

FUNCTIONAL INNOVATION PGS 51 - 53

ADVANCED MATERIALS PGS 54 - 55

MODEL FEATURE CODES PG 56

EXTRAS: MAINTENANCE/ATTACHMENT/CARRY/CLOTHING PGS 57 - 60

SPECIAL SERVICES/WARRANTY PGS 61 - 62

GOLDCLASS

Highly customized designs, exotic materials, exclusive mechanisms and handcrafted detail are merely suggestions to the possibilities. The Gold Class is for the true connoisseur of the "finer things" in life. If you are fortunate enough to get your hands on a Gold Class limited then you will definitely understand what all the excitement is about.



912-71 NITROUS™ STRYKER®
 BENCHMADE design



912-71

912/913 DESIGNER	Benchmade
LOCKING MECHANISM	Modified Locking Liner w/Nitrous™
BLADE STYLE & OPENER	Crowned Modified Tanto, Ambidextrous Thumb-Studs
BLADE STEEL	Hand Finished S30V Premium Steel (58-60HRC)
HANDLE SPEC	CNC Milled Carbon Fiber Handle Scales, Anodized Jeweled Titanium Liners, Heat Colored Hardware and Removable Steel Carry-Clip
BLADE CONFIGURATIONS	912-71 \$325

BLADE LENGTH	3.70" (9.40cm)
BLADE THICKNESS	0.125" (2.46mm)
OPEN	8.25" (20.96cm)
CLOSED	4.68" (11.89cm)
WEIGHT	3.80oz (108g)
HANDLE THICKNESS	0.70" (1.78cm)
COUNTRY OF ORIGIN	USA

4501 PRESTIGEDGES®

DE ASIS design



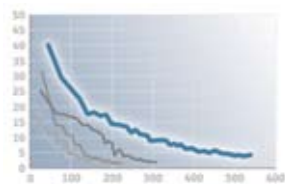
CHEF KNIFE

UTILITY KNIFE

PARING KNIFE

3-KNIFE SET COMES
IN ATTRACTIVE
PRESENTATION CASE

4501 DESIGNER	Les De Asis		
BLADE STEEL	Single Piece, Full-Tang 440C Stainless Steel (58-60HRC)		
HANDLE SPEC.	Impregnated Real Wood Laminate; Woven Micarta Bolster; Nickel/Silver Rivet Assembly		
COUNTRY OF ORIGIN	USA		
	PARING KNIFE	UTILITY KNIFE	CHEF KNIFE
BLADE LENGTH	3.50" (8.89cm)	6.00" (15.24cm)	8.00" (20.32cm)
BLADE THICKNESS	0.070" (1.84mm)	0.120" (3.05mm)	0.140" (3.59mm)
OVERALL LENGTH	7.09" (18.01cm)	10.25" (26.04cm)	13.00" (33.00cm)
WEIGHT	2.10oz (60gm)	4.80oz (136gm)	8.50oz (241gm)
BLADE CONFIGURATION	4501 \$500 (available only as three knife set)		



BENCHMADE OUTPERFORMED THE WORLD'S FINEST
BY NEARLY DOUBLE THE EDGE QUALITY.



BLUEDNA

FUNCTIONAL INNOVATION

Blades:

Superior quality steels selected for edge durability; custom heat treat for maximum toughness

Technology:

Precision laser decks and CNC machining to NASA level tolerances

Locking Mechanisms:

Nak-Lok™, AXIS® locks, Titanium locking-liners, assisted-openers and more

Design:

Custom and innovative patented designs exclusive to Benchmade

Handles:

Contoured lines, utilizing highly durable, strong and visually stunning materials



Individually, these features are impressive, but it is the combination of them that makes a knife part of the Benchmade Blue Class. Your Blue Class knife will be the kind that you can either pass on to your children or use as your favorite everyday carry.

BLUECLASS

Blue Class represents the heart and soul of everything that is Benchmade. The Blue Class is where people come for exceptional designs, materials, technology and innovation. From folding knives to fixed blades, the Blue Class knife is designed and built for the individual who will settle for nothing less than the highest in quality and dependability.



930 KULGERA™

OSBORNE design



The 930 Kulgera™ is sleek, comfortable and an all-around handful of beautiful utility. CNC Milled black/blue layered G10 handle scales, BP-1 coated liners, black nickel hardware and clip, plus super tough S30V blade steel. Born in the outback, the Kulgera brings form and function together seamlessly.

- Overall Slim Profile
- One-Hand Ambidextrous Function
- Fully Adjustable Blade Pivot
- Lightweight Everyday Carry



930DESIGNER	Warren Osborne
LOCKING MECHANISM	AXIS Lock
BLADE STYLE & OPENER	Modified Drop-Point, Ambidextrous Dual Thumb-Studs
BLADE STEEL	S30V Premium Stainless Steel (58-60HRC)
HANDLE SPECS	CNC Milled Black/Blue Layered G10, BP-1 Coated Stainless Steel Liners, Black Nickel Hardware and Reversible Carry-Clip
BLADE CONFIGURATIONS	930 \$200, 930SBK \$212

BLADE LENGTH	3.60" (9.14cm)
BLADE THICKNESS	0.115" (2.92mm)
OPEN	8.00" (20.52cm)
CLOSED	4.40" (11.18cm)
WEIGHT	3.00oz (85.05g)
HANDLE THICKNESS	0.47" (11.94mm)
COUNTRY OF ORIGIN	USA

940

OSBORNE design



- Overall Slim Profile
- One-Hand Ambidextrous Function
- Fully Adjustable Blade Pivot
- Lightweight Everyday Carry



940DESIGNER	Warren Osborne	BLADE LENGTH	3.40" (8.64cm)
LOCKING MECHANISM	AXIS Lock	BLADE THICKNESS	0.115" (2.92mm)
BLADE STYLE & OPENER	Modified Reverse Tanto, Ambidextrous Dual Thumb-Stud	OPEN	7.87" (19.99cm)
BLADE STEEL	S30V Premium Stainless Steel (58-60HRC)	CLOSED	4.47" (11.35cm)
HANDLE SPECS	Green Color Anodized 6061-T6 Aluminum; Double 410 Stainless Steel Liners, Color Anodized Titanium Back Spacer; Movable Steel Carry-Clip	WEIGHT	2.90oz (82.21g)
BLADE CONFIGURATIONS	940 \$195, 940SBK \$207	HANDLE THICKNESS	0.41" (1.04cm)
		COUNTRY OF ORIGIN	USA

943

OSBORNE design



- Machined Aircraft Grade Aluminum Handles
- Precision Fit Components
- Hard Coat Anodized Handle Finish
- Movable Carry-Clip



943DESIGNER	Warren Osborne	BLADE LENGTH	3.40" (8.64cm)
LOCKING MECHANISM	AXIS Lock	BLADE THICKNESS	0.115" (2.92mm)
BLADE STYLE & OPENER	Straight Clip-Point, Ambidextrous Dual Thumb-Stud	OPEN	7.87" (19.99cm)
BLADE STEEL	S30V Premium Stainless Steel (58-60HRC)	CLOSED	4.47" (11.35cm)
HANDLE SPECS	Black Color Anodized 6061-T6 Aluminum; Double 410 Stainless Steel Liners, Color Anodized Titanium Back Spacer; Movable Steel Carry-Clip	WEIGHT	2.90oz (82.21g)
BLADE CONFIGURATIONS	943 \$195, 943SBK \$207	HANDLE THICKNESS	0.41" (1.04cm)
		COUNTRY OF ORIGIN	USA

960

OSBORNE design



- Custom-Grade Detailing
- Machine Contoured Handles
- Polished Blade Finish
- Titanium Back Spacer



960-RED

960SLV

960DESIGNER	Warren Osborne	BLADE LENGTH	3.12" (7.92cm)
LOCKING MECHANISM	AXIS Lock	BLADE THICKNESS	0.100" (2.54mm)
BLADE STYLE & OPENER	Modified Drop-Point, Ambidextrous Dual Thumb-Studs	OPEN	7.28" (18.49cm)
BLADE STEEL	D2 Tool Steel (60-62HRC)	CLOSED	4.16" (10.57cm)
HANDLE SPECS	Color Anodized 6061-T6 Aluminum with Black G10 Inlays, Double 420 Stainless Steel Inset Liners, Color Anodized Titanium Backspacer, Reversible/Removable Carry-Clip	WEIGHT	2.26oz (64.50g)
BLADE CONFIGURATIONS	960-RED \$200, 960SLV \$200	HANDLE THICKNESS	0.37" (9.39mm)
		COUNTRY OF ORIGIN	USA

530

PARDUE design



- Less Than 2-Ounce Weight
- Ultra-Slim Profile
- One-Hand Ambidextrous Function
- Movable Carry-Clip



530

530SBK

530DESIGNER	Mel Pardue	BLADE LENGTH	3.25" (8.25cm)
LOCKING MECHANISM	AXIS Lock	BLADE THICKNESS	0.09" (2.28mm)
BLADE STYLE & OPENER	Modified Spear-Point, Ambidextrous Thumb-Studs	OPEN	7.42" (18.85cm)
BLADE STEEL	154CM Stainless Steel (58-61HRC)	CLOSED	4.17" (10.59cm)
HANDLE SPECS	Noryl GTX® 830 Scales; Double 420J Liners; Removable Steel Carry-Clip	WEIGHT	1.88oz (53.28g)
BLADE CONFIGURATIONS	530 \$100, 530SBK \$112	HANDLE THICKNESS	0.37" (9.39mm)
		COUNTRY OF ORIGIN	USA

707 SEQUEL®

MCHENRY & WILLIAMS design



- Generous Drop-Point Blade Shape
- Machined Aluminum Handle Scales with G10 Inlays
- One-Hand Ambidextrous Function
- Movable Carry-Clip



707

707SBK

707DESIGNER	Bill McHenry & Jason Williams	BLADE LENGTH	2.95" (7.50cm)
LOCKING MECHANISM	AXIS Lock	BLADE THICKNESS	0.100" (2.54mm)
BLADE STYLE & OPENER	Modified Clip-Point; Dual Thumb Stud	OPEN	6.75" (17.15cm)
BLADE STEEL	154CM Stainless Steel (58-61HRC)	CLOSED	3.80" (9.67cm)
HANDLE SPECS	Machined 6061-T6 Aluminum with Black G10 Inlays, Double Stainless Steel 410 Liners, Movable Steel Carry-Clip	WEIGHT	2.60oz (73.70g)
BLADE CONFIGURATIONS	707 \$150, 707S \$150, 707SBK \$162	HANDLE THICKNESS	0.42" (10.67mm)
		COUNTRY OF ORIGIN	USA

710

MCHENRY & WILLIAMS design



- Reverse Curve Blade Shape
- Larger Sized Folder
- Machined G10 Handle Scales



710D2

710SBKD2

710DESIGNER	Bill McHenry & Jason Williams	BLADE LENGTH	3.98" (10.11cm)
LOCKING MECHANISM	AXIS Lock	BLADE THICKNESS	0.115" (2.92mm)
BLADE STYLE & OPENER	Modified Clip-Point; Dual Thumb Stud	OPEN	8.80" (22.34cm)
BLADE STEEL	D2 Tool Steel (60-62HRC)	CLOSED	4.98" (12.65cm)
HANDLE SPECS	Black G10 Scales, Double 410 Stainless Steel Liners; Movable Steel Carry-Clip	WEIGHT	4.68oz (132.68g)
BLADE CONFIGURATIONS	710D2 \$165, 710SBKD2 \$177	HANDLE THICKNESS	0.48" (12.19mm)
		COUNTRY OF ORIGIN	USA

610 RUKUS®
615 MINI-RUKUS®
BLACKWOOD design



- One-Hand Ambidextrous Function
- Profiled Handle Shape for Solid Grip
- Full Drop-Point Blade Geometry
- Movable Carry-Clip



610SBK

615

CHECK OUT THE REPLACEABLE HANDLE SCALES TO PERSONALIZE YOUR RUKUS or MINI-RUKUS ON PAGE 59.

610DESIGNER	Neil Blackwood
LOCKING MECHANISM	Auto AXIS
BLADE STYLE & OPENER	Utility Drop-Point, Ambidextrous Dual Thumb-Studs
BLADE STEEL	S30V Premium Stainless Steel (58-60HRC)
HANDLE SPECS	Black G10/Olive Micarta Scales, Double 410 Stainless Steel Liners, Movable Black Stainless Steel Carry-Clip
BLADE CONFIGURATIONS	610 \$260, 610SBK \$272

BLADE LENGTH	4.25" (10.80cm)
BLADE THICKNESS	0.150" (3.82mm)
OPEN	10.20" (25.91cm)
CLOSED	5.95" (15.12cm)
WEIGHT	7.86oz (222.83g)
HANDLE THICKNESS	0.79" (19.96mm)
COUNTRY OF ORIGIN	USA

615DESIGNER	Neil Blackwood
LOCKING MECHANISM	AXIS Lock
BLADE STYLE & OPENER	Utility Drop-Point, Ambidextrous Dual Thumb-Studs
BLADE STEEL	S30V Premium Stainless Steel (58-60HRC)
HANDLE SPECS	Black G10/Olive Micarta Scales, Double 410 Stainless Steel Liners, Movable Black Stainless Steel Carry-Clip
BLADE CONFIGURATIONS	615 \$230, 615S \$230, 615SBK \$242

BLADE LENGTH	3.40" (8.63cm)
BLADE THICKNESS	0.121" (3.07mm)
OPEN	8.50" (21.59cm)
CLOSED	5.10" (12.95cm)
WEIGHT	5.90oz (167.26g)
HANDLE THICKNESS	0.65" (16.51mm)
COUNTRY OF ORIGIN	USA

NEW PRODUCT/NEW MECHANISM

480 SHOKI™

NAKAMURA design

The 480 Shoki™ is the embodiment of a gentlemen's carry. No details were overlooked in the production of this elegant tool, including the brand new Nak-Lok™, beautifully contoured G10 and stabilized wine wood handle scales, radiant blue anodized titanium liners, and rich black nickel hardware. The stainless steel backspacer utilizes cutting edge MIM technology to emulate custom hand file work, the hollowground S30V crowned blade, and handy sheath complete this package.

● Ergonomic Handle Design

● Thumb-Stud Opener

● Ultra-Premium Blade Steel



480DESIGNER	Seiji Nakamura
LOCKING MECHANISM	Nak-Lok®
BLADE STYLE & OPENER	Hollowground Utility w/Crowned Blade Spine, Thumb-Stud
BLADE STEEL	S30V Stainless Steel (58-60HRC)
HANDLE SPECS	Black G10 w/Stabilized Wine Wood, Stainless Steel Black Nickel Plated Hardware and MIM Custom File Work Emulated Backspacer, 6AL-4V Blue Anodized Titanium Liners
BLADE CONFIGURATIONS	480 S200

BLADE LENGTH	2.89" (5.08 cm)
BLADE THICKNESS	0.09" (2.29mm)
OPEN	6.67" (16.94 cm)
CLOSED	3.79" (9.63cm)
WEIGHT	1.7oz (48.19g)
HANDLE THICKNESS	0.37" (9.39mm)
COUNTRY OF ORIGIN	USA

740 DÈJÁVOO™ 745 MINI-DÈJÁVOO™

LUM design

- Ergonomic Handle Design
- Round Thumb-hole Opener
- Ultra-Premium Blade Steel
- Two Sizes Available



740

745

740DESIGNER	Bob Lum
LOCKING MECHANISM	Modified-Locking Liner
BLADE STYLE & OPENER	High Ground Utility, Ambidextrous Functioning Thumb-Hole Opener
BLADE STEEL	S30V Stainless Steel (58-60HRC)
HANDLE SPECS	Full 3D Contoured Black G10 Handles; 4201 Stainless Steel Support Liner, 6AL-4V Titanium Lock Liner; Removable Steel Carry-Clip
BLADE CONFIGURATIONS	740 \$160, 740SBK \$172

BLADE LENGTH	3.95" (10.03cm)
BLADE THICKNESS	0.125" (3.18mm)
OPEN	9.12" (23.17cm)
CLOSED	5.17" (13.13cm)
WEIGHT	4.10oz (116.23g)
HANDLE THICKNESS	0.66" (16.64mm)
COUNTRY OF ORIGIN	USA

745DESIGNER	Bob Lum
LOCKING MECHANISM	Modified-Locking Liner
BLADE STYLE & OPENER	High Ground Utility, Ambidextrous Functioning Thumb-Hole Opener
BLADE STEEL	S30V Stainless Steel (58-60HRC)
HANDLE SPECS	Full 3D Contoured Black G10 Handles; 4201 Stainless Steel Support Liner, 6AL-4V Titanium Lock Liner; Removable Steel Carry-Clip
BLADE CONFIGURATIONS	745 \$140, 745SBK \$152

BLADE LENGTH	3.23" (8.21cm)
BLADE THICKNESS	0.114" (2.90mm)
OPEN	7.69" (19.53cm)
CLOSED	4.42" (11.23cm)
WEIGHT	3.50oz (99.23g)
HANDLE THICKNESS	0.65" (16.51mm)
COUNTRY OF ORIGIN	USA

630 SKIRMISH™

BLACKWOOD_{design}

- Near Custom-Grade Detailed Finish
- Flawless Titanium Monolock Function
- Titanium Handles
- Removable Carry-Clip



630BK

630

630DESIGNER	Neil Blackwood	BLADE LENGTH	4.30" (11.43cm)
LOCKING MECHANISM	Monolock	BLADE THICKNESS	0.160" (4.06mm)
BLADE STYLE & OPENER	Modern Reverse Curve Interpretation; Ambidextrous Functioning Thumb-Hole Opener	OPEN	9.80" (24.89cm)
BLADE STEEL	S30V Premium Stainless Steel (58-60HRC)	CLOSED	5.50" (13.97cm)
HANDLE SPECS	Bead Blast/Anodized 6AL 4V-Titanium Scales; Removable Steel Custom Carry-Clip	WEIGHT	6.74oz (191.08g)
BLADE CONFIGURATIONS	630 \$280, 630BK \$292	HANDLE THICKNESS	0.47" (11.93mm)
		COUNTRY OF ORIGIN	USA

635 MINI-SKIRMISH™

BLACKWOOD_{design}

- Flawless Titanium Monolock Function
- Ultra-Premium Grade Blade Steel
- Open Body Barrel Spacer Design
- Removable Carry-Clip



635

635SBK

635DESIGNER	Neil Blackwood	BLADE LENGTH	3.43" (8.71cm)
LOCKING MECHANISM	Monolock	BLADE THICKNESS	0.130" (3.30mm)
BLADE STYLE & OPENER	Modern Reverse Curve Interpretation; Ambidextrous Functioning Thumb-Hole Opener	OPEN	7.73" (19.65cm)
BLADE STEEL	S30V Premium Stainless Steel (58-60HRC)	CLOSED	4.30" (10.92cm)
HANDLE SPECS	Bead Blast/Anodized 6AL 4V-Titanium Scales; Removable Steel Custom Carry-Clip	WEIGHT	3.92oz (111.13g)
BLADE CONFIGURATIONS	635 \$240, 635SBK \$252	HANDLE THICKNESS	0.44" (11.15mm)
		COUNTRY OF ORIGIN	USA

440 OPPORTUNIST®

OSBORNE design

- Ultra-Premium Grade Blade Steel
- Machined Jig-Patterned Aluminum Handles
- Stabilized Real Wood Handle Onlays
- Lightweight Everyday Pocket Carry
- Lanyard Pin



440DESIGNER	Warren Osborne
LOCKING MECHANISM	Modified Locking-Liner
BLADE STYLE & OPENER	Modified Wharncliff, Thumb Stud
BLADE STEEL	S30V Premium Stainless Steel (58-60HRC)
HANDLE SPECS	Anodized 6061-T6 Aluminum with Jig Pattern, Stabilized Wood Scales, 6AL-4V Titanium Locking-Liner
BLADE CONFIGURATIONS	440 \$180

BLADE LENGTH	2.99" (7.59cm)
BLADE THICKNESS	0.114" (2.90mm)
OPEN	6.83" (17.35cm)
CLOSED	3.84" (9.75cm)
WEIGHT	1.70oz (48.20g)
HANDLE THICKNESS	0.49" (12.32mm)
COUNTRY OF ORIGIN	USA

672/670 APPARITION®

OSBORNE design

- Option of Assist or Manual Opening
- Locking-Liner Mechanism
- Hollowground Blade w/672



672 OPTIMISER® GIVES THE USER THE INDIVIDUAL CHOICE OF ASSIST OR MANUAL BLADE OPENING. SIMPLY REMOVE TORSION BAR FOR NON-ASSIST OPENING (MORE ON PAGE 52)

672/670DESIGNER	Warren Osborne
LOCKING MECHANISM	Modified Locking-Liner w/Optimiser
BLADE STYLE & OPENER	672 Hollowground Wharncliff w/Thumb-Stud; 670 Wharncliff w/Thumb-Stud
BLADE STEEL	672 D2 Tool Steel (60-62HRC), Black Oxide; 670 154CM Stainless Steel (58-61HRC)
HANDLE SPECS	672 Black G10 Scales, Double 420J Stainless Steel Liners, Removable Steel Carry-Clip; 670 Cast Stainless Steel Bolster, Molded Scales, Double 420J Stainless Steel Liners
BLADE CONFIGURATIONS	672 \$160, 672SBX \$165, 670 \$150, 670S \$150

BLADE LENGTH	3.30" (8.40cm)
BLADE THICKNESS	0.125" (3.18mm)
OPEN	7.70" (19.56cm)
CLOSED	4.40" (11.18cm)
672 WEIGHT	4.24oz (120.20g)
670 WEIGHT	5.32oz (152.24g)
672 HANDLE THICKNESS	0.47" (11.95mm)
670 HANDLE THICKNESS	0.57" (14.53mm)
COUNTRY OF ORIGIN	USA

100SH20

BENCHMADE design

- Highly Corrosion Resistant Blade Steel
- Multi-Feature Molded Sheath



100SH20-BLK

100SH20

100DESIGNER	Benchmade	BLADE LENGTH	3.23" (8.32cm)
BLADE STYLE	Modified Sheepfoot	BLADE THICKNESS	0.114" (2.90mm)
BLADE STEEL	X15 T.N Stainless Steel (58-60HRC)	OVERALL LENGTH	7.50" (19.50cm)
HANDLE SPECS	Full-Tang; Day-glow Yellow Kydex® or Black G10 Scales	WEIGHT	4.00oz (128.00g)
SHEATH	Molded Kydex®/Thermoplastic; Reversible Lash Tab Carry-Clip	HANDLE THICKNESS	0.58" (14.80mm)
BLADE CONFIGURATIONS	100SH20 \$140, 100SH20-BLK \$130	COUNTRY OF ORIGIN	USA

210TK ACTIVATOR® 211 ACTIVATOR®

SNODY design

- Stabilized Wood or Carbon Fiber/Silver G10 Handle Scales
- D2 Tool Steel or S30V Full-Tang Blade



210TK

211

210TK SHEATH

211 SHEATH

210TK/211DESIGNER	Mike Snody	BLADE LENGTH	2.125" (5.40cm)
BLADE STYLE	Drop-Point Utility	BLADE THICKNESS	0.140" (3.56mm)
BLADE STEEL	210TK S30V Premium Stainless Steel (58-60HRC) 211 D2 Tool Steel (60-62HRC)	OVERALL LENGTH	5.50" (13.97cm)
HANDLE SPECS	210TK Carbon Fiber Bolster w/Silver G10 Scales 210 Full-Tang, Winewood Scales	210TK WEIGHT	2.50oz (70.87g)
SHEATH	210TK Kydex® Snap-Fit Tether Sheath 211 Deep-Pocket Textured Black Leather Belt-Carry	211 WEIGHT	2.40oz (68.04g)
BLADE CONFIGURATIONS	210TK \$180, 211 \$110	210TK SHEATH WEIGHT	0.90oz (25.51g)
		211 SHEATH WEIGHT	1.50oz (42.52g)
		HANDLE THICKNESS	0.392" (9.96mm)
		COUNTRY OF ORIGIN	USA

201 ACTIVATOR®+

SNODY design

- D2 Tool Steel for Improved Performance
- Stabilized Real Wood Handle Scales
- Leather Belt Carry Sheath with Snap Over
- High Value Price Point



201 DESIGNER	Mike Snody
BLADE STYLE	Utility
BLADE STEEL	D2 Tool Steel (60-62HRC)
HANDLE SPECS	Full-Tang; Winewood Scales
SHEATH	Stitched Leather with Belt Loop, Color Dyed, Snap Over Strap
BLADE CONFIGURATIONS	201 \$130

BLADE LENGTH	3.63" (9.21cm)
BLADE THICKNESS	0.140" (3.57mm)
OVERALL LENGTH	8.13" (20.64cm)
WEIGHT	5.00oz (141.75g)
HANDLE THICKNESS	0.54" (13.59mm)
COUNTRY OF ORIGIN	USA

32 MORPHO®

BENCHMADE design

- Machined Skeletonized G10 Handle Scales
- Next Generation Kicker-Pin Technology
- Compact Overall Design
- Titanium Carry-Clip



32DESIGNER	Benchmade	BLADE LENGTH	3.25" (8.26cm)
LOCKING MECHANISM	Spring Latch	BLADE THICKNESS	0.100" (2.57mm)
BLADE STYLE	Crowned Modified Spear-Point	OPEN	7.29" (18.52cm)
BLADE STEEL	D2 Tool Steel (60-62HRC)	CLOSED	4.39" (11.15cm)
HANDLE SPECS	Machined and Skeletonized Black G10 Scales, 6AL 4V Blue Anodized and Jeweled Liners, 6AL 4V Blue Anodized and Laser Engraved Movable Titanium Carry-Clip	WEIGHT	2.70oz (76.54g)
BLADE CONFIGURATIONS	32 \$240	HANDLE THICKNESS	0.443" (11.25mm)
		COUNTRY OF ORIGIN	USA

42 BALI-SONG® 40TR BALI-SONG®

BENCHMADE design

- Practical Weehawk Blade Shape
- Skeletonized Titanium Handles
- Spring Latch for Easy Open
- Unparalleled Benchmade Fit and Finish
- Matching Trainer Model for Safer Practice



42/40TRDESIGNER	Benchmade	BLADE LENGTH	4.20" (10.67cm)
LOCKING MECHANISM	Integrated Spring Latch	BLADE THICKNESS	0.125" (3.18mm)
BLADE STYLE	42 Weehawk, 40TR Skeletonized Trainer Safe Blade	OPEN	9.40" (23.88cm)
BLADE STEEL	42 154CM Stainless Steel (58-61HRC), 40TR 440C Stainless Steel	CLOSED	5.54" (14.07cm)
HANDLE SPECS	Skeletonized Cast 6AL-4V Titanium	WEIGHT	4.40oz (124.74g)
BLADE CONFIGURATIONS	42 \$280, 40TR \$200	HANDLE THICKNESS	0.53" (13.46mm)
		COUNTRY OF ORIGIN	USA



GRIPTILIAN DNA

Every aspect of the Griptilian's genetics has been painstakingly thought out. Over the years the Grips have marked their territory with a vengeance on industry leading mechanics and lightweight carry. So go wild and get a Grip!



550HG GRIPTILIAN® 555HG MINI-GRIPTILIAN®

PARDUE design



- Two Sizes Available
- Ambidextrous Thumb-Hole Opener
- Lightweight Molded Handle
- Hollowground Blade
- Multiple Configurations Available



550T



550SBKSL



550SBKSN

DESIGNER	Mel Pardue
LOCKING MECHANISM	AXIS Lock
BLADE STYLE & OPENER	Hollowground Modified Sheepfoot; Ambidextrous Functioning Thumb-Hole Opener
BLADE STEEL	154CM Stainless Steel (58-61HRC)
HANDLE SPECS	Black Glass Fill Noryl GTX®/Color Valox®; Double 420J Liners; Reversible Steel Carry-Clip
BLADE CONFIGURATIONS	550HG \$100, 550SHG \$100, 550SBKHG \$112, 550SBKHGOD \$112, 550SBKHGSL \$122, 550SBKHGSN \$117, 550T (440C Stainless Steel) \$75

BLADE LENGTH	3.45" (8.76cm)
BLADE THICKNESS	0.115" (2.92mm)
OPEN	8.07" (20.50cm)
CLOSED	4.62" (11.73cm)
WEIGHT	3.25oz (92.13g)
HANDLE THICKNESS	0.64" (16.29mm)
COUNTRY OF ORIGIN	USA

DESIGNER	Mel Pardue
LOCKING MECHANISM	AXIS Lock
BLADE STYLE & OPENER	Hollowground Modified Sheepfoot; Ambidextrous Functioning Thumb-Hole Opener
BLADE STEEL	154CM Stainless Steel (58-61HRC)
HANDLE SPECS	Color Valox®; Double 420J Stainless Steel Liners; Reversible Steel Carry-Clip
BLADE CONFIGURATIONS	555HG \$90, 555SHG \$90, 555SBKHG \$102, 555SBKHGOD \$102, 555SHG-BLU \$90, 555SHG-YEL \$90, 555SHG-PNK \$90, 555SHG-PNK \$90

BLADE LENGTH	2.91" (7.38cm)
BLADE THICKNESS	0.100" (2.54mm)
OPEN	6.78" (17.21cm)
CLOSED	3.87" (9.82cm)
WEIGHT	2.56oz (72.57g)
HANDLE THICKNESS	0.51" (12.95mm)
COUNTRY OF ORIGIN	USA

551 GRIPTILIAN® 556 MINI-GRIPTILIAN®

PARDUE design



- Two Sizes Available
- Ambidextrous Thumb-Stud Opener
- Grip Textured Molded Handle
- Premium AXIS Function
- Multiple Configurations Available



551T



551SBKSL



551SBKOD

551DESIGNER	Mel Pardue
LOCKING MECHANISM	AXIS Lock
BLADE STYLE & OPENER	Modified Drop-Point; Ambidextrous Thumb-Studs
BLADE STEEL	154CM Stainless Steel (58-61HRC)
HANDLE SPECS	Black Glass Fill Noryl GTX®/Color Valox®; Double 420J Liners; Reversible Steel Carry-Clip
BLADE CONFIGURATIONS	551 \$100, 551S \$100, 551SBK \$112, 551SBKOD \$112, 551SBKSL \$122, 551SBKSN \$117, 551T (440C Stainless Steel) \$75

BLADE LENGTH	3.40" (8.64cm)
BLADE THICKNESS	0.115" (2.92mm)
OPEN	8.07" (20.50cm)
CLOSED	4.62" (11.73cm)
WEIGHT	3.82oz (108.39g)
HANDLE THICKNESS	0.64" (16.29mm)
COUNTRY OF ORIGIN	USA

556DESIGNER	Mel Pardue
LOCKING MECHANISM	AXIS Lock
BLADE STYLE & OPENER	Modified Drop-Point; Ambidextrous Thumb-Studs
BLADE STEEL	154CM Stainless Steel (58-61HRC)
HANDLE SPECS	Color Valox®; Double 420J Stainless Steel Liners; Reversible Steel Carry-Clip
BLADE CONFIGURATIONS	556 \$90, 556S \$90, 556SBK \$102, 556SBKOD \$102, 556-BLU \$90, 556S-BLU \$90, 556-YEL \$90, 556S-YEL \$90, 556-PNK \$90, 556S-PNK \$90

BLADE LENGTH	2.91" (7.38cm)
BLADE THICKNESS	0.100" (2.54mm)
OPEN	6.78" (17.21cm)
CLOSED	3.87" (9.82cm)
WEIGHT	2.56oz (72.57g)
HANDLE THICKNESS	0.51" (12.95mm)
COUNTRY OF ORIGIN	USA

553 GRIPTILIAN® TANTO

557 MINI-GRIPTILIAN® TANTO

PARDUE design



- Two Sizes Available
- Enhanced Blade-Tip Strength Design
- One-Hand Ambidextrous Function
- Stainless Steel Liners
- Movable Carry-Clip



553DESIGNER	Mel Pardue
LOCKING MECHANISM	AXIS Lock
BLADE STYLE & OPENER	Tanto, Ambidextrous Thumb-Studs
BLADE STEEL	154CM Stainless Steel (58-61HRC)
HANDLE SPECS	Black Glass Fill Noryl GTX®/Color Valox®; Double 420J Liners; Reversible Steel Carry-Clip
BLADE CONFIGURATIONS	553 \$100, 553S \$100, 553SBK \$112, 553SBKOD \$112, 553SBKSN \$117

BLADE LENGTH	3.40" (8.64cm)
BLADE THICKNESS	0.115" (2.92mm)
OPEN	8.07" (20.50cm)
CLOSED	4.62" (11.73cm)
WEIGHT	3.88oz (109.99g)
HANDLE THICKNESS	0.64" (16.96mm)
COUNTRY OF ORIGIN	USA

557DESIGNER	Mel Pardue
LOCKING MECHANISM	AXIS Lock
BLADE STYLE & OPENER	Tanto, Ambidextrous Thumb-Studs
BLADE STEEL	154CM Stainless Steel (58-61HRC)
HANDLE SPECS	Color Valox®; Double 420J Stainless Steel Liners; Reversible Steel Carry-Clip
BLADE CONFIGURATIONS	557 \$90, 557S \$90, 557SBK \$102, 557SBKOD \$102, 557SBKSN \$107

BLADE LENGTH	2.91" (7.38cm)
BLADE THICKNESS	0.100" (2.54mm)
OPEN	6.78" (17.21cm)
CLOSED	3.87" (9.82cm)
WEIGHT	2.67oz (75.70g)
HANDLE THICKNESS	0.51" (12.97mm)
COUNTRY OF ORIGIN	USA

555HG-PNK MINI-GRIPTILIAN® 556-PNK MINI-GRIPTILIAN®



PARDUE design

Benchmade is proud that with the purchase of each “Pink Grip” 10 percent of the wholesale profits will go to the Oregon Health and Science University Breast Cancer Institute in Portland, Oregon to benefit their Breast Health Education Program. This program provides medical students, residents and practicing clinicians with standardized training to enhance their ability to detect palpable breast cancer in it’s earliest form.

- Two Available Pink Styles
- Ambidextrous Thumb-Stud Opener
- Grip Textured Molded Handle
- Premium AXIS Function
- Movable Carry-Clip



555HG-PNK

556-PNK

555HG-PNKDESIGNER	Mel Pardue
LOCKING MECHANISM	AXIS Lock
BLADE STYLE & OPENER	Hollowground Modified Sheepsfoot; Ambidextrous Functioning Thumb-Hole Opener
BLADE STEEL	154CM Stainless Steel (58-61HRC)
HANDLE SPECS	Color Valox®; Double 420J Stainless Steel Liners; Reversible Steel Carry-Clip
BLADE CONFIGURATIONS	555HG-PNK \$90, 555SHG-PNK \$90

BLADE LENGTH	2.91" (7.38cm)
BLADE THICKNESS	0.100" (2.54mm)
OPEN	6.78" (17.21cm)
CLOSED	3.87" (9.82cm)
WEIGHT	2.56oz (73.00g)
HANDLE THICKNESS	0.51" (12.95mm)
COUNTRY OF ORIGIN	USA

556-PNKDESIGNER	Mel Pardue
LOCKING MECHANISM	AXIS Lock
BLADE STYLE & OPENER	Modified Drop-Point; Ambidextrous Thumb-Studs
BLADE STEEL	154CM Stainless Steel (58-61HRC)
HANDLE SPECS	Color Valox®; Double 420J Stainless Steel Liners; Reversible Steel Carry-Clip
BLADE CONFIGURATIONS	556-PNK \$90, 556S-PNK \$90

BLADE LENGTH	2.91" (7.38cm)
BLADE THICKNESS	0.100" (2.54mm)
OPEN	6.78" (17.21cm)
CLOSED	3.87" (9.82cm)
WEIGHT	2.56oz (73.00g)
HANDLE THICKNESS	0.51" (12.95mm)
COUNTRY OF ORIGIN	USA

151 FIXED GRIPTILIAN®

PARDUE design

- Mid-Sized for Comfortable Carry
- Optimum Utility Oriented Blade Style
- Multi-Feature Sheath Design
- High Value Price Point



151SBK

151

151 SHEATH

151 DESIGNER	Mel Pardue
BLADE STYLE	Modified Drop-Point
BLADE STEEL	154CM Stainless Steel (58-61HRC)
HANDLE SPECS	Black Color; Glass Reinforced Nylon With Santoprene™ Insert
SHEATH	MOLLE Compatible; Low Profile Ballistic Nylon; Molded Thermoplastic Insert
BLADE CONFIGURATIONS	151 \$100, 151SBK \$112

BLADE LENGTH	4.16" (10.56cm)
BLADE THICKNESS	0.120" (3.05mm)
OVERALL LENGTH	8.72" (22.15cm)
WEIGHT	4.60oz (130.41g)
HANDLE THICKNESS	0.625" (15.95mm)
COUNTRY OF ORIGIN	USA



BLACKDNA

FUNCTIONAL INNOVATION

Blades:

Ultra-premium blade steels such as D2, S30V and 154CM edged with hair popping sharpness

Technology:

New innovations such as the Nitrous™ Assist Opener

Mechanisms:

AXIS® locks, Titanium locking-liners, and the Nitrous™ assist

Handles:

Multifunctional gripping patterns that exceed the demands of the toughest conditions

Materials:

Maximum durability, strength, and corrosion resistant

The Black Class knife is engineered to work first time, every time. All the right designs, materials and technologies combined to become the right tools for the job.



BLACKCLASS

Life and death is all in a days work for the professionals policing the streets, fighting the fires, and rescuing the injured. The Black Class knife is what's in their pockets because failure is not an option. The commitment to making a product that can hold up to the harshest conditions and still outperform others, translates into the Benchmade Black Class. If Benchmade is good enough for the professionals, it will most certainly perform for you.



NEWPRODUCT

950 RIFT™

OSBORNE^{design}



The 950 Rift is packed with features to help get the job done. Reverse Tanto for toughness, large-bellied blade for all the utility cutting you can throw at it, and heavily milled and textured G10 scales to help you get a firm grip on any situation.

- Patented **AXIS®** Mechanics
- One-Hand Ambidextrous Function
- Heavily Milled **G10** for Tactile Grip
- Tough 154CM Reverse Tanto Blade



950DESIGNER	Warren Osborne
LOCKING MECHANISM	AXIS® Lock
BLADE STYLE & OPENER	Reverse Tanto, Ambidextrous Thumb-Studs
BLADE STEEL	154CM Stainless Steel Hardened to 58-61HRC
HANDLE SPECS	Black/Charcoal Layered G10 Scales; Double 420J Steel Liners; Removable Carry-Clip
SHEATH	N/A
BLADE CONFIGURATIONS	950 \$180, 950SBK \$192

BLADE LENGTH	3.67" (9.32cm)
BLADE THICKNESS	0.114" (2.90mm)
OPEN	8.27" (21.00cm)
CLOSED	4.60" (11.68cm)
WEIGHT	4.80oz (136.08g)
HANDLE THICKNESS	0.56" (14.28mm)
COUNTRY OF ORIGIN	USA

NEWPRODUCT

912D2/913D2 NITROUS™ STRYKER®
906D2/907D2 MINI-NITROUS™ STRYKER®

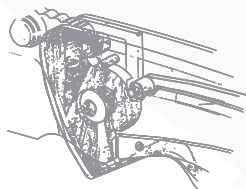
BENCHMADE design

- Superior Quality D2 Tool Steel
- Double Titanium Locking-Liners
- G10 Textured Handle Scales
- Two Blade Style Options
- Nitrous Assist Opening Mechanism



913SBKD2

912SBKD2



TORSION IS CREATED BY SLOTTING THE LINERS.
 THE NITROUS TORSION ARMS PROPEL BLADE OPEN WITH EASE. (MORE ON PAGE 55)



907SBKD2

906SBKD2

912/913DESIGNER	Benchmade
LOCKING MECHANISM	Modified Locking-Liner w/Nitrous™
BLADE STYLE & OPENER	912 Modified Tanto; 913 Modified Spear-Point; Ambidextrous Thumb-Stud
BLADE STEEL	D2 Tool Steel Hardened to 60-62HRC
HANDLE SPECS	Black G10 Scales, Double Titanium Liners, Removable Steel Carry-Clip
SHEATH	N/A
BLADE CONFIGURATIONS	912D2 \$150, 912SBKD2 \$162, 913D2 \$150, 913SBKD2 \$162

BLADE LENGTH	3.70" (9.00cm)
BLADE THICKNESS	0.125" (3.18mm)
OPEN	8.25" (20.96cm)
CLOSED	4.68" (11.89cm)
WEIGHT	3.80oz (108.02g)
HANDLE THICKNESS	0.48" (12.04mm)
COUNTRY OF ORIGIN	USA

906/907DESIGNER	Benchmade
LOCKING MECHANISM	Modified Locking-Liner w/Nitrous™
BLADE STYLE & OPENER	906 Modified Tanto; 907 Modified Spear-Point; Ambidextrous Thumb-Stud
BLADE STEEL	D2 Tool Steel Hardened to 60-62HRC
HANDLE SPECS	Black G10 Scales, Double Titanium Liners, Removable Steel Carry-Clip
SHEATH	N/A
BLADE CONFIGURATIONS	906D2 \$140, 906SBKD2 \$152, 907D2 \$140, 907SBKD2 \$152

BLADE LENGTH	3.00" (7.62cm)
BLADE THICKNESS	0.100" (2.54mm)
OPEN	7.25" (18.42cm)
CLOSED	4.25" (10.80cm)
WEIGHT	2.80oz (79.38g)
HANDLE THICKNESS	0.45" (11.35mm)
COUNTRY OF ORIGIN	USA

520 PRESIDIO® 523 PRESIDIO® TANTO

PARDUE design



- Patented AXIS Mechanics
- One-Hand Ambidextrous Function
- Multi-Directional Positive Grip
- Fully-Adjustable Blade Pivot



520/523DESIGNER	Mel Pardue
LOCKING MECHANISM	AXIS Lock
BLADE STYLE & OPENER	520 Drop-Point; 523 Tanto; Ambidextrous Thumb-Studs
BLADE STEEL	154CM Stainless Steel (58-61HRC)
HANDLE SPECS	Black Anodized; Machined 6061 T-6 Aluminum; Double 420J Liners; Movable Steel Carry-Clip
BLADE CONFIGURATIONS	520 \$180, 520SBK \$192, 520T \$120, 523 \$180, 523SBK \$192

BLADE LENGTH	3.42" (8.69cm)
BLADE THICKNESS	0.125" (3.17mm)
OPEN	8.29" (21.07cm)
CLOSED	4.87" (12.37cm)
WEIGHT	520 5.68oz (161.03g); 523 5.84oz (165.56g)
HANDLE THICKNESS	0.64" (1.625cm)
COUNTRY OF ORIGIN	USA

525 MINI-PRESIDIO®

PARDUE design



- Machined Aluminum Handles with Multi-Directional Positive Grip
- Optimally Sized for Versatile Carry
- Patented AXIS Mechanics
- Movable Carry-Clip



525DESIGNER	Mel Pardue
LOCKING MECHANISM	AXIS Lock
BLADE STYLE & OPENER	Drop-Point; Ambidextrous Thumb-Studs
BLADE STEEL	154CM Stainless Steel (58-61HRC)
HANDLE SPECS	Black Anodized; Machined 6061 T-6 Aluminum; Double 420J Liners; Movable Steel Carry-Clip
BLADE CONFIGURATIONS	525 \$165, 525S \$165, 525SBK \$177

BLADE LENGTH	2.97" (7.59cm)
BLADE THICKNESS	0.115" (2.92mm)
OPEN	7.12" (18.08cm)
CLOSED	4.15" (10.54cm)
WEIGHT	3.70oz (104.89g)
HANDLE THICKNESS	0.545" (13.84mm)
COUNTRY OF ORIGIN	USA

140 NIMRAVUS® 141 NIMRAVUS® TANTO

BENCHMADE design

- Single Piece Full-Tang Drop-Point or Modified Tanto Blade Shape
- Large Finger Groove for Added Control
- Machined Aluminum or Optional G10 Handle Scales
- Multi-Feature Soft Sheath with MOLLE® Capability



141SBK

140BK



140T



140SBKSN



141SBKSN



140/141SN AND ADC MODELS COME WITH SAND OR FOLIAGE GREEN SHEATHS RESPECTIVELY



140/141 COMES STANDARD W/BLACK SHEATH

OTHER SHEATH OPTIONS AVAILABLE SEPARATELY SEE PAGE 58

140DESIGNER	Benchmade
BLADE STYLE	Drop-Point
BLADE STEEL	154CM Stainless Steel (58-61HRC) or D2 Tool Steel (60-62HRC)
HANDLE SPECS	Full-Tang; Anodized Machined 6061 T-6 Aluminum
SHEATH	Multi-Function Soft Sheath, Nylon, MOLLE® Compatible w/ Included Malice Clip
BLADE CONFIGURATIONS	140BK \$175, 140SBK \$175, 140BKD2 \$185, 140SBKD2 \$185, 140SBKSN \$190, 140SBK-ADC \$190, 140T (440C Stainless Steel) \$130

BLADE LENGTH	4.50" (11.43cm)
BLADE THICKNESS	0.115" (2.92mm)
OVERALL	9.45" (24.00cm)
WEIGHT	6.20oz (174.95g)
HANDLE THICKNESS	0.58" (14.79mm)
SHEATH WEIGHT	5.00oz (141.75g)
COUNTRY OF ORIGIN	USA

141DESIGNER	Benchmade
BLADE STYLE	Modified Tanto
BLADE STEEL	154CM Stainless Steel (58-61HRC) or D2 Tool Steel (60-62HRC)
HANDLE SPECS	Full-Tang; Anodized Machined 6061 T-6 Aluminum
SHEATH	Multi-Function Soft Sheath, Nylon, MOLLE® Compatible w/ Included Malice Clip
BLADE CONFIGURATIONS	141BK \$175, 141SBK \$175, 141BKD2 \$185, 141SBKD2 \$185, 141SBKSN \$190, 141SBK-ADC \$190

BLADE LENGTH	4.50" (11.43cm)
BLADE THICKNESS	0.115" (2.92mm)
OVERALL	9.45" (24.00cm)
WEIGHT	5.86oz (161.13g)
HANDLE THICKNESS	0.58" (14.79mm)
SHEATH WEIGHT	5.00oz (141.75g)
COUNTRY OF ORIGIN	USA

NEW PRODUCT

158CSKII

BENCHMADE design

- Single Piece Full-Tang Clipped Blade Shape
- Thicker Blade Construction for Added Tool Strength
- Tactile Soft Surfacd Handle Grip Pattern
- Large Integrated Finger Guard Provides Safety
- Heavy Duty 1095 Carbon Blade Steel



158DESIGNER	Benchmade
BLADE STYLE	Combat/ Survival Clip-Point
BLADE STEEL	Black Powder Coated 1095 Carbon Steel (57-60HRC)
HANDLE SPECS	Black Santoprene® Overmold
SHEATH	Multi-Function Black Leather Sheath, MOLLE® Compatible w/ Included Malice Clip
BLADE CONFIGURATIONS	158BK \$100, 158SBK \$100

BLADE LENGTH	6.00" (15.24cm)
BLADE THICKNESS	0.180" (4.57mm)
OVERALL	10.75" (27.31cm)
WEIGHT	7.50oz (212.62g)
HANDLE THICKNESS	0.88" (20.29mm)
SHEATH WEIGHT	6.50oz (184.27g)
COUNTRY OF ORIGIN	USA

155 FIXED PRESIDIO®

OSBORNE design

- Single Piece Full-Tang Blade Construction
- Machined Aluminum Handles with Multi-Directional Positive Grip
- Modified Clip-Point Blade Shape with Generous Utility
- MOLLE® Compatible Sheath



155DESIGNER	Warren Osborne
BLADE STYLE	Modified Clip-Point
BLADE STEEL	154CM Stainless Steel (58-61HRC), BK1 Coated
HANDLE SPECS	Full Tang, Black Anodized 6061 T-6 Aluminum Scales
SHEATH	Multi-Function Soft Sheath, Black Nylon, MOLLE® Compatible w/ Included Malice Clip
BLADE CONFIGURATIONS	155BK \$232, 155SBK \$232, 155SBK-ADC \$232 (Foliage Green)

BLADE LENGTH	6.32" (16.05cm)
BLADE THICKNESS	0.180" (4.57mm)
OVERALL	11.40" (28.96cm)
WEIGHT	10.10oz (286.33g)
HANDLE THICKNESS	0.60" (15.24mm)
SHEATH WEIGHT	6.50oz (184.27g)
COUNTRY OF ORIGIN	USA



HOOKDNA

Benchmade Rescue hooks offer unparalleled rapid response cut ability with a safer deployment design, more durable edge quality and versatility. These tools are fast becoming a professional necessity for many EMTs, Law Enforcement and Armed Forces personnel, as well as a handy everyday tool for the casual user.



NEW FEATURES

7BLKW HOOK

BENCHMADE^{design}

The 7HOOK is one of the trusty products in our line of professional grade hooks. Flak jackets, tubular webbing, leather boots, Kevlar, seatbelts, and para-cords are just some of the materials you can cut through quickly and reliably in an emergency situation. The 7HOOK is fast becoming a necessity, not an option.

- Larger Handle w/Vinyl Coating for Grip
- Multiple Grip Options for Specific Application
- Multiple Carry Options Available



NEW MOUNTING ACCESSORY - SECURE YOUR 7HOOK OR OTHER BENCHMADE HOOKS TO YOUR ARM, LEG, OR VEHICLE. VISIT BENCHMADE.COM FOR THE LATEST ON ATTACHMENT METHODS.



7DESIGNER	Benchmade	BLADE OPENING	0.50" (12.67mm)
BLADE STYLE	Hook	BLADE THICKNESS	0.115" (2.92mm)
BLADE STEEL	7.440C Stainless Steel (58-60HRC); 7H20 X15-TN Stainless Steel (58-60HRC)	OVERALL	4.30" (10.92cm)
HANDLE SPECS	Black Powder Coat Finish w/Grit Dipped Vinyl Handle Coating	WEIGHT	1.50oz (42.97g)
SHEATH	Nylon Webbing Pouch w/Velcro® Closure; Retention Band; MOLLE® Compatible	HANDLE THICKNESS	0.26" (6.85mm)
BLADE CONFIGURATIONS	7BLKW (Black Sheath) \$40, 7BLKWADC (Foliage Green Sheath) \$40, 7BLKWSN (Coyote Brown Sheath) \$40, 7H20W \$50, 7BH20W \$50	SHEATH WEIGHT	1.60oz (45.36g)
		COUNTRY OF ORIGIN	USA

5 RESCUEHOOK

BENCHMADE design

Unparalleled Rapid Response Cut Ability with a Safer Deployment Design

Durable Edge Quality and Versatile Design

Multiple Carry Options Available



CUTS QUICKLY, SAFELY, AND EFFECTIVELY WITH PULLING MOTION

#981607

#981608

OPTIONAL LASH-TAB CARRY-CLIP ASSEMBLY AVAILABLE SEPARATELY



STANDARD SOFT SHEATH

STANDARD HARD SHEATH

5BLK NOT AVAILABLE WITH O2 WRENCH

5 AVAILABLE WITH O2 WRENCH

5 BLK

5

5DESIGNER	Benchmade
BLADE STYLE	Hook
BLADE STEEL	440C Stainless Steel (58-60HRC)
HANDLE SPECS	Black Oxide or Satin Finish; Finger Hole 1.12" (2.85cm)
SOFT/HARD SHEATH	Nylon Webbing Pouch/Velcro® Closure; MOLLE® Compatible; Molded Delrin® Snap-Fit
BLADE CONFIGURATIONS	5 (HARD SHEATH) \$38; 5 BLK (HARD SHEATH) \$35; 5 W (SOFT SHEATH) \$28; 5 BLKW (BLACK SOFT SHEATH) \$25; 5 BLKWSN (COYOTE SOFT SHEATH) \$25; 5 BLKWADC (FOLIAGE GREEN SOFT SHEATH) \$25

BLADE OPENING	0.50" (1.27cm)
BLADE THICKNESS	0.115" (2.92mm)
OVERALL	2.90" (7.37cm)
WEIGHT	1.20oz (33.97g)
HANDLE THICKNESS	0.26" (6.65mm)
SOFT SHEATH WT	0.60oz (16.97g)
HARD SHEATH WT	0.36oz (10.21g)
COUNTRY OF ORIGIN	USA

NEWPRODUCT

8BLKWHOOK

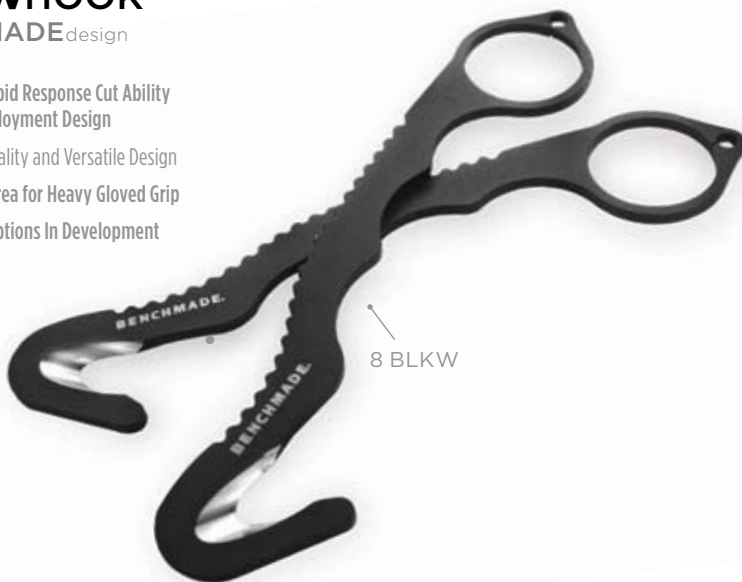
BENCHMADE design

Unparalleled Rapid Response Cut Ability with a Safer Deployment Design

Durable Edge Quality and Versatile Design

Larger Handle Area for Heavy Gloved Grip

Multiple Carry Options In Development



8 BLKW

8DESIGNER	Benchmade
BLADE STYLE	Hook
BLADE STEEL	440C Stainless Steel (58-60HRC)
HANDLE SPECS	Full-Tang; Black Powder Coat Finish
SHEATH	In Progress on Flight Suit Applications and Soft Sheath MOLLE® Compatible Systems
BLADE CONFIGURATIONS	8BLKW \$50

BLADE OPENING	0.50" (1.27cm)
BLADE THICKNESS	0.115" (2.92mm)
OVERALL	6.50" (16.51cm)
WEIGHT	1.50oz (42.97g)
HANDLE THICKNESS	0.114" (2.89mm)
SHEATH WEIGHT	TBD
COUNTRY OF ORIGIN	USA



REDDNA

FUNCTIONAL INNOVATION

Blades:

On average, higher grade steels than other manufacturers at this price level

Upgrades:

Committed to best in class offerings

Mechanisms:

Innovative designs such as the Rolling Lock®, and Levitator®

Materials:

Combination of high-grade materials at value pricing

Handles:

Modern ergos and comfortable designs that are exclusive to Benchmade



Red Class is more Benchmade than ever before. Stepped up designs, innovation, materials and technologies — you get a high quality knife for an affordable price. This is the heart of Red Class.

REDCLASS

The Benchmade Red Class continues to provide high value opportunities to first time knife buyers; while providing knife enthusiasts with a trusty tool at a tempting price. The commitment to quality and innovation are just the same, whether working with our select overseas manufactures or making it here ourselves. New designs this year from the Red Class provide you with options; while keeping your pocket book from going in the red.



NEW PRODUCT/NEWSKUS

10750 VEX™
10751 VEX™ TANTO

BENCHMADE design

The VEX™ is back with two blade styles, all the features, technologies and value you've come to love. Enhancements such as the super strong tanto blade, thumb studs, crowned blade spine, BP-1 Titanium coated blade, liners and clip, along with G10 handle scales make this a team to be reckoned with.

- Textured G10 Handle
- Deep Pocket Carry Ergonomic Clip
- Ambidextrous Opener
- Lanyard Hole w/Bushing
- Physical Vapor Deposition (PVD)
- Black Pearl (BP-1) Coating: Very Hard and Scratch Resistant



10751SBP

10750BP

10750DESIGNER	Benchmade
LOCKING MECHANISM	Locking-Liner
BLADE STYLE & OPENER	Modified Drop-Point w/Ambidextrous Functioning Thumb-Hole Opener
BLADE STEEL	8Cr14 Stainless Steel (56-58HRC)
HANDLE SPECS	Black G10 Handle Scales; BP Coated 420J Stainless Steel Liners; Ergonomic Finger Grooved Reversible Steel Carry-Clip
BLADE CONFIGURATIONS	10750BP \$60, 10750SBP \$60

BLADE LENGTH	3.29" (8.37cm)
BLADE THICKNESS	0.108" (2.74mm)
OPEN	7.72" (19.61cm)
CLOSED	4.43" (11.25cm)
WEIGHT	4.70oz (133.24g)
HANDLE THICKNESS	0.51" (13.08mm)
COUNTRY OF ORIGIN	China

10751DESIGNER	Benchmade
LOCKING MECHANISM	Locking-Liner
BLADE STYLE & OPENER	Tanto w/Ambidextrous Thumb Studs
BLADE STEEL	8Cr14 Stainless Steel (56-58HRC)
HANDLE SPECS	Black G10 Handle Scales; BP Coated 420J Stainless Steel Liners; Ergonomic Finger Grooved Reversible Steel Carry-Clip
BLADE CONFIGURATIONS	10751BP \$60, 10751SBP \$60

BLADE LENGTH	3.29" (8.37cm)
BLADE THICKNESS	0.108" (2.74mm)
OPEN	7.72" (19.61cm)
CLOSED	4.43" (11.25cm)
WEIGHT	4.70oz (133.24g)
HANDLE THICKNESS	0.51" (13.08mm)
COUNTRY OF ORIGIN	China

NEWSKUS
10402 PIKA® II
10412 MINI-PIKA® II
BENCHMADE design

- Glass Filled Nylon Handle Scales
- Dual Stainless Steel Liners for Added Strength
- Ambidextrous Functioning Thumb-Hole Opener
- Four Carry-Clip Locations for Multiple Deep-Carry Options



10402DESIGNER	Benchmade
LOCKING MECHANISM	Lock Back
BLADE STYLE & OPENER	Clip-Point; Ambidextrous Thumb-Hole
BLADE STEEL	9Cr13 Stainless Steel (58-60HRC)
HANDLE SPECS	Glass Filled Nylon; 420J Stainless Steel Liners; Multiple Placement Steel Carry-Clip
BLADE CONFIGURATIONS	10402 \$40, 10402S \$40, 10402SBK \$45

BLADE LENGTH	3.50" (8.89cm)
BLADE THICKNESS	0.118" (2.92mm)
OPEN	8.32" (21.13cm)
CLOSED	4.82" (12.24cm)
WEIGHT	3.88oz (109.97g)
HANDLE THICKNESS	0.45" (11.49mm)
COUNTRY OF ORIGIN	China

10412DESIGNER	Benchmade
LOCKING MECHANISM	Lock Back
BLADE STYLE & OPENER	Clip-Point; Ambidextrous Thumb-Hole
BLADE STEEL	9Cr13 Stainless Steel (58-60HRC)
HANDLE SPECS	Glass Filled Nylon; 420J Stainless Steel Liners; Multiple Placement Steel Carry-Clip
BLADE CONFIGURATIONS	10412 \$35, 10412S \$35, 10412SBK \$40

BLADE LENGTH	2.90" (7.37cm)
BLADE THICKNESS	0.110" (2.79mm)
OPEN	6.97" (17.71cm)
CLOSED	4.07" (10.34cm)
WEIGHT	2.75oz (77.96g)
HANDLE THICKNESS	0.44" (11.09mm)
COUNTRY OF ORIGIN	China

NEW DESIGN
10452 PIKA® II TANTO
 BENCHMADE design

- High Clip Placement for Discreet Carry
- Right and Left Hand Friendly
- All-Weather Grip Pattern
- Ergonomic Handle Design



10452SBK

10452DESIGNER	Benchmade
LOCKING MECHANISM	Lock Back
BLADE STYLE & OPENER	Modified Tanto; Ambidextrous Thumb Studs
BLADE STEEL	9Cr13 Stainless Steel (58-60HRC)
HANDLE SPECS	Molded Thermoplastic; Movable Steel Carry-Clip
BLADE CONFIGURATIONS	10452SBK \$45

BLADE LENGTH	3.50" (8.89cm)
BLADE THICKNESS	0.115" (2.92mm)
OPEN	8.50" (21.08cm)
CLOSED	4.80" (12.18cm)
WEIGHT	2.88oz (81.65g)
HANDLE THICKNESS	0.45" (11.49mm)
COUNTRY OF ORIGIN	China

NEW PRODUCT
10402-1 TIPIKA® II
10412-1 MINI-TIPIKA® II
 BENCHMADE design

- Super lightweight Titanium Backspacer and Handles
- Copper Spacer Accents
- Reversible Clip
- Ergonomic Handle Design



10402S-1

10412-1

10402/10412-DESIGNER	Benchmade
LOCKING MECHANISM	Lock Back
BLADE STYLE & OPENER	Clip-Point; Ambidextrous Thumb-Hole
BLADE STEEL	9Cr13 Stainless Steel (58-60HRC)
HANDLE SPECS	Glass Filled Nylon; 420J Stainless Steel Liners;
	Multiple Placement Steel Carry-Clip
BLADE CONFIGURATIONS	10402-1 \$90, 10402S-1 \$90, 10412-1 \$80, 10412S-1 \$80

10402-1	10412-1	
BLADE LENGTH	3.50" (8.89cm)	2.90" (7.37cm)
BLADE THICKNESS	0.118" (2.92mm)	0.110" (2.79mm)
OPEN	8.52" (21.3cm)	6.97" (17.71cm)
CLOSED	4.82" (12.24cm)	4.07" (10.34cm)
WEIGHT	3.88oz (110.00g)	2.75oz (78.00g)
HANDLE THICKNESS	0.453" (11.50mm)	0.44" (11.08mm)
COUNTRY OF ORIGIN	China	China

NEWSKU
10105 ERT-1™
 BENCHMADE_{design}

The ERT-1 provides you options when you need them most. Benchmade engineers combined the proven cutting technology of our professional use Rescue Hooks into a tool that cuts seatbelts, breaks glass, and can provide light with the click of a button.

- Folding Hook Blade
- Spring Loaded Glass Breaker
- Submersible LED light
- Multiple Carry Options with Carry-Clip



CUTS THROUGH MANY MATERIALS QUICKLY, EFFECTIVELY, AND SAFELY WITH PULLING MOTION



SHATTERS MANY TYPES OF GLASS IN A RAPID, SAFE AND EFFECTIVE MANNER

10105DESIGNER	Benchmade	BLADE OPENING	0.50" (1.27cm)
LOCKING MECHANISM	Lockback	BLADE THICKNESS	0.10" (2.54mm)
BLADE STYLE & OPENER	Hook Blade w/Ambidextrous Thumb-Stud	OPEN	5.90" (14.99cm)
BLADE STEEL	9Cr13 Stainless Steel (58-60HRC)	CLOSED	4.67" (11.86cm)
HANDLE SPECS	Molded Thermoplastic w/LED light and Glass Breaker; 420J Stainless Steel Liners;	WEIGHT	3.60oz (102.06g)
	Removable Steel Carry-Clip	HANDLE THICKNESS	0.58" (14.67mm)
BLADE CONFIGURATIONS	10105-YEL \$40, 10105-BLK \$40	COUNTRY OF ORIGIN	China

10100 LFK BENCHMADE design

- Machined Aircraft Grade Aluminum w/Santoprene Overmold
- Corrosion Resistant Materials
- Ambidextrous Opening
- Textured Handle



10100DESIGNER	Benchmade
LOCKING MECHANISM	Locking-Liner
BLADE STYLE & OPENER	Clip-Point
BLADE STEEL	440C Stainless Steel (58-60HRC)
HANDLE SPECS	Machined 6061-T6 Aluminum with Santoprene Overmold
BLADE CONFIGURATIONS	10110 \$100, 10110SBP \$110

BLADE LENGTH	5.20" (13.21cm)
BLADE THICKNESS	0.118" (2.98mm)
OPEN	10.25" (26.06cm)
CLOSED	6.70" (17.02cm)
WEIGHT	6.70oz (189.94g)
HANDLE THICKNESS	0.76" (19.35mm)
COUNTRY OF ORIGIN	Taiwan

10115 SALMON RIVER FOLDING FILLET 10115 SALMON CREEK FOLDING FILLET STEIGERWALT design

- Lightweight
- Slim Profile
- Large Fillet Blade



10115/10110SDESIGNER	Ken Steigerwalt
LOCKING MECHANISM	Sliding Tail-Lock
BLADE STYLE & OPENER	Fillet
BLADE STEEL	AUS-8 Stainless Steel (58-60HRC)
HANDLE SPECS	Glass Filled Nylon with Thermoplastic Overmold
BLADE CONFIGURATIONS	10115 \$30, 10110S \$35

	10115	10110S
BLADE LENGTH	5.80" (14.73cm)	7.09" (18cm)
BLADE THICKNESS	0.063" (1.60mm)	0.068" (1.71mm)
OPEN	11.38" (28.91cm)	13.78" (35cm)
CLOSED	7.00" (17.78cm)	8.52" (21.64cm)
WEIGHT	1.70oz (48.19g)	3.00oz (85.05g)
HANDLE THICKNESS	0.449" (11.40mm)	0.526" (13.36mm)
COUNTRY OF ORIGIN	Taiwan	Taiwan

10300 MONOCHROME®

BENCHMADE design

- Thumb-Stud Opener for Ambidextrous Use
- Textured Handle for Ample Grip
- Lightweight for Comfortable Carry



10300DESIGNER	Steirer Eisen
LOCKING MECHANISM	Monolock
BLADE STYLE & OPENER	Drop-Point Utility w/ Ambidextrous Thumb-Studs
BLADE STEEL	N690 Stainless Steel (58-60HRC)
HANDLE SPECS	420J Stainless Steel; Removable Steel Carry-Clip
BLADE CONFIGURATIONS	10300 \$50, 10300S \$50, 10300B-BLK \$60, 10300SB-BLK \$60

BLADE LENGTH	3.04" (7.72cm)
BLADE THICKNESS	0.115" (2.92mm)
OPEN	7.37" (18.72cm)
CLOSED	4.345" (10.94cm)
WEIGHT	3.84oz (108.86g)
HANDLE THICKNESS	0.354" (9.00mm)
COUNTRY OF ORIGIN	Taiwan

10210 MINI-AMBUSH®

PARDUE design

- InDraft® Mechanics add Safety
- Ambidextrous Carry Options
- Textured Handle adds Grip



10210DESIGNER	Mel Pardue
LOCKING MECHANISM	Rolling Lock®
BLADE STYLE & OPENER	Drop-Point Utility; Ambidextrous Thumb-Studs
BLADE STEEL	AUS-8 Stainless Steel (58-60HRC)
HANDLE SPECS	Thermoplastic; Double 420J Liners; Reversible Steel Carry-Clip
BLADE CONFIGURATIONS	10210 \$50, 10210S \$50, 10210SB \$55

BLADE LENGTH	2.96" (7.52cm)
BLADE THICKNESS	0.118" (3.00mm)
OPEN	6.94" (17.63cm)
CLOSED	3.98" (10.12cm)
WEIGHT	2.86oz (81.08g)
HANDLE THICKNESS	0.46" (11.61mm)
COUNTRY OF ORIGIN	Taiwan

10610 BENCHMITE® II

MCHENRY & WILLIAMS design

Drop-Point Blade Maximizes Cutting Surface Area

Levigator® Lock Secures Blade Open and Closed

Blank Handle Scale can be Personalized

Weighs Less Than 2 Ounces



10610DESIGNER	Bill McHenry & Jason Williams
LOCKING MECHANISM	Levigator® Lock
BLADE STYLE & OPENER	Modified Drop Point, Nail Nick
BLADE STEEL	AUS-8 Stainless Steel (58-60HRC)
HANDLE SPECS	420 Stainless Steel Scales, 420 Stainless Steel Single-Sided Liner, 420 Stainless Steel Spacer; 10610BP with BP-1 Coated Blade and Outer Handle Scales
BLADE CONFIGURATIONS	10610 \$35, 10610BP \$40

BLADE LENGTH	1.92" (4.88cm)
BLADE THICKNESS	0.086" (2.18mm)
OPEN	4.76" (12.09cm)
CLOSED	2.83" (7.19cm)
WEIGHT	1.60oz (45.36g)
HANDLE THICKNESS	0.242" (6.15mm)
COUNTRY OF ORIGIN	Taiwan

10536BP INSTIGATOR®

SNODY design

Molded Handle adds Gripping Power

Molded Sheath Interior for Snug Fit

Wharncliffe Blade Style



10536DESIGNER	Mike Snody
BLADE STYLE	Modified Wharncliff
BLADE STEEL	AUS-8 Stainless Steel (58-60HRC), BP-1 Coated
HANDLE SPECS	AUS 8 Stainless Steel, Skeletonized, Full Tang
SHEATH	Snap-Fit Molded Kydex®/Thermoplastic With Tether
BLADE CONFIGURATIONS	10536BP \$50

BLADE LENGTH	3.28" (8.33cm)
BLADE THICKNESS	0.123" (3.12mm)
OVERALL LENGTH	7.38" (18.79cm)
WEIGHT	2.30oz (65.2g)
HANDLE THICKNESS	0.123" (3.12mm)
COUNTRY OF ORIGIN	Taiwan

NEW DESIGN

10501 RANT® BOWIE

10502 RANT® DPT

PARDUE design

- Proudly manufactured in the USA
- Hollow Ground Blade has Very Fine Grind
- Molded Grip Pattern Enhances Grip
- Thick Bolster Amplifies Safety



10501DESIGNER	Mel Pardue
BLADE STYLE	Clip-Point Bowie
BLADE STEEL	440C Stainless Steel (58-60HRC)
HANDLE SPECS	Black Santoprene® Overmold
SHEATH	Black Leather w/ Belt-Loop
BLADE CONFIGURATIONS	10502 \$75, 10502SBK \$85

BLADE LENGTH	4.48" (11.38cm)
BLADE THICKNESS	0.175" (4.45mm)
OVERALL LENGTH	9.11" (23.14cm)
WEIGHT	7.16oz (202.98g)
HANDLE THICKNESS	0.89" (2.25cm)
COUNTRY OF ORIGIN	USA

10502DESIGNER	Mel Pardue
BLADE STYLE	Drop Point
BLADE STEEL	440C Stainless Steel (58-60HRC)
HANDLE SPECS	Black Santoprene® Overmold
SHEATH	Black Leather w/ Belt-Loop
BLADE CONFIGURATIONS	10502 \$75, 10502SBK \$85

BLADE LENGTH	4.48" (11.38cm)
BLADE THICKNESS	0.165" (4.19mm)
OVERALL LENGTH	9.11" (23.14cm)
WEIGHT	6.16oz (174.65g)
HANDLE THICKNESS	0.86" (2.25cm)
COUNTRY OF ORIGIN	USA

EXPECT MORE

Edged tools that combine innovation, high technology, superior materials and a passion to make the best knives possible... it's Benchmade. We didn't invent the knife; we simply listened to you, and improved it.



WHAT'S IN A KNIFE?

STRONGER. BETTER. SAFER. SMARTER.

Everyday, whether at work, at home or at play, you are presented with options. Options to accept complacency or the opportunities to search out a better way. And so it is with knives, the option to have the best tool for the job.

Too often people take their choice of knives for granted when the reality is that if they took the extra time to learn the true differences, it could translate into extra time and money saved over the long haul.

Easier access, enhanced edge retention, durability, and higher standards of manufacturing qualities equate to enhanced performance—more value for the money.

Like most things, knives have evolved over the years. It's well worth your while to take some time to seek out the modern advantages.

THERE ARE SOME VERY IMPORTANT CONSIDERATIONS WHEN IT COMES TO SELECTING AND PURCHASING A KNIFE. THE ALTERNATIVE COULD MEAN FRUSTRATION WITH A DULL KNIFE, OR IT COULD MEAN REGRET OF SOMETHING MORE SERIOUS. THE CHOICE IS YOURS.

DESIGN

Is it a practical design, and will it enhance my abilities? Will the blade shape offer good utility? **Does it fit the hand properly?** Will it support the desired cutting tool needs? **Can it be attached or carried in a useful manner?**

MECHANISM

Can the blade be opened and closed easily and with one hand? Will it open and close intuitively without having to focus on the task? **Can the blade be opened in a struggle or within physical limitations?** Does it stay open or closed reliably? **Is the mechanism proven to enhance function, or merely manufacturer sales?**

QUALITY

Does it feel solid and well-built? Does the blade wobble? **Do all of the components fit together properly?** Does the manufacturer offer a warranty and stand behind its products?

MATERIALS

Do the materials used enhance performance or offer improved levels of performance over others? Are the materials strong and durable offering added value? **Is the blade steel tough and how long will the edge stay sharp?** Are the materials used truly what the knife manufacturer says they are?

FORWARD THINKING

You must have it to succeed. And to make certain it never fades, we established the Benchmade Custom Design Team. It's founded on the premise of a high regard for the individual custom knife maker who pours their genuine passions, and given talents into making unique realities one piece at a time. To them, it goes beyond earning a living, it's an opportunity to express their own interpretations of cutting edge design.

Benchmade has perfected a collaboration of efforts with these rogues of conformity, tapping into the newest in locking mechanisms, progressive designs, and the latest in materials. Ultimately, this intellectual exchange transpires into something special in the form of a Benchmade knife.

THE DESIGNERS

MEL PARDUE

The senior team member, Mel has been grinding sparks, making knives and creating a following for 20-plus years. His style has a class and simplicity all its own. The Pardue collaborations offer great utility to the everyday knife user while at the same time presenting an upscale distinction. Less is definitely more with Mel's designs.

BILL McHENRY & JASON WILLIAMS

It runs in the family... Bill and stepson Jason spend their days making exquisite pieces of "art with an edge on it." Their dedication and talents compliment one another very well, and have led to several noteworthy innovations in the knife making world. Benchmade was fortunate to be involved with one such innovation, the AXIS mechanism. The rest is history in the making.

WARREN OSBORNE

Being raised in the farming and ranching industry taught Warren early on what great utility a quality knife can offer. How a knife feels in the hand over extended use, blade design/edge configurations, and the types of materials used are all mandatory considerations of an Osborne design.

SEIICHI NAKAMURA

Engineering was his life's work until he retired to focus his efforts on a passion for custom knife work. He specializes in small Japanese style folders, gentlemen's carry and jewelry knives. His eye for artistry and mechanical engineering make him a perfect fit for the innovative Benchmade team.

ARMIN STUETZ

Armin has been making his fascination with knives a livelihood for many years. Steirer Eisen, his own knife manufacturing company, is located in Styria, Austria. He brings an international presence to the team and says he is only satisfied when his customers are satisfied. Hmm... sounds familiar.

MIKE SNODY

Exploding into the knife making world, Mike has successfully created a name for himself in a short amount of time by wrapping solid function in the guise of contemporary design. His design influence is derived from his own personal experiences. And his "sensitive" side certainly hasn't held him back either.

NEIL BLACKWOOD

A lifelong hobby turned fulltime profession, Neil grew up naturally working with his hands as his father was a shop teacher. His custom work really takes advantage of the latest materials and works them into creative reflections of his detailed eye. He says if his love of what he does ever fades, he will pick up a fishing pole.

KEN STEIGERWALT

In 1978 at the age of 15, Ken found himself at the kitchen table with some files and a vise. Three years later he decided that knifemaking was going to be his full time career. Since then, Ken has dedicated himself to wowing the industry with his innovative style and describes his work as a passion and a journey to build a better knife than the last. Benchmade has been fortunate to be involved with one such innovation, the Nitrous™ Assist mechanism. With cycle counts in the upward reaches of hundreds of thousands, the rest is history in the making.

MATTHEW LERCH

Codeveloper of the Nitrous™ Assist mechanism, Matthew has his finger on the pulse of industry leading innovations and will continue to be a valuable contributor to Benchmade's genuine passion for that next, better design.

BOB LUM

With over 30 years of knife designing expertise, an artistic drive both in his craftsmanship of knives and his love for photography; provided Benchmade unique design styles infused with his creativity, thus yielding the highest quality knife possible. Growing up in the Pacific Northwest gave him an opportunity to develop an appreciation for the importance of a fine knife, which comes through in his elegant and utilitarian designs. Thanks, Bob.



OUR MINDSET



Located in the beautiful Pacific Northwest, Benchmade employees are able to work and play in some of the best backyards on the planet.

Mt. Hood can be seen from the facility.

It all starts with a commitment to innovation. And for us, it goes beyond simply being innovatively different—Benchmade continually strives to be innovatively better. We believe that when a customer chooses to purchase a Benchmade, they don't do so just to be different, they do so because they want the best. This mindset of innovating for improvement is alive and well throughout Benchmade, it goes into every design, and comes out of every product. Admittedly, it's definitely not the easiest way to make knives, but it's the only way we know how.

MANUFACTURING

The Benchmade manufacturing arsenal contains ultra-modern laser cutters and machining centers dialed in for spot-on tolerances of 0.0005" on command. Our computerized machining centers offer the precision and control usually found only in the aerospace industry. Most of our products are hand assembled for a "go together" fit and finish typically seen only in a custom knife. But it's more than just having modern equipment, for Benchmade, it's having a workforce of dedicated and professionally skilled people knowing how to make it all work together. We also work with a specially select group of outside manufacturing partners, who are willing to go beyond working for us—they work with us to deliver the best product regardless of price point. It's a lot of effort for just a knife, which is why Benchmade knives aren't "just a knife"... they're engineered cutting tools founded on function, built for performance and recognized for both.

ENGINEERING

Rocket science? Ok, well almost. It all starts with a dedicated Engineering department hell bent on getting it right—before a milling machine ever starts. It means taking an often times custom design concept and unique designer personality, and then translating it into computer renderings and programs for a multitude of individual manufacturing processes. Our engineers are continually checking and rechecking for perfection, and we are fully integrated with our outside manufacturing partners to ensure our Benchmade quality standards are adhered to. From the latest computer aided design (CAD) software and 3-D modeling technologies to just plain knife-know-how gained from years of experience, it's a test of wills. And when the final prototype is signed off on, the customer always wins.

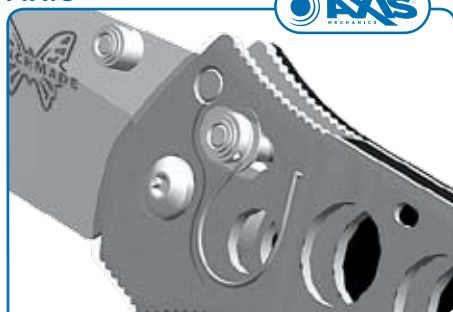
FUNCTIONAL INNOVATION

Seems simple enough. You open the knife, you close the knife. But it's the mechanics of motion that happens in the process of opening and closing, which can make the difference between ordinary and extraordinary. Is the knife easy to actuate, can it be opened with one hand, is it ambidextrous, and will it be reliable when you need it most? These are all essential considerations when it comes to knife mechanics.

Benchmade offers several mechanisms, from patented exclusives like the unparalleled AXIS, to more traditional lock back designs. It all comes down to your level of desired function.

LOCKING MECHANISMS & ASSEMBLIES

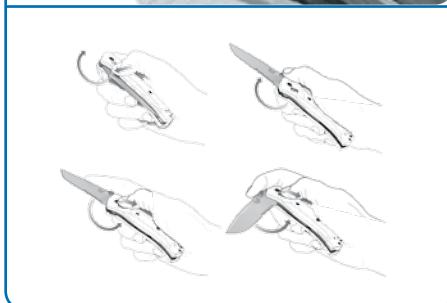
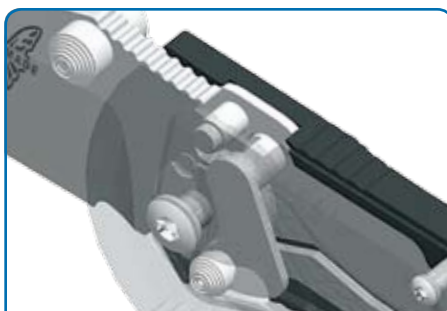
AXIS®



A patented Benchmade exclusive, AXIS has been turning heads and winning fans ever since its introduction. A 100-percent ambidextrous design, AXIS gets its function from a small, hardened steel bar which rides forward and back in a slot machined into both steel liners. The bar extends to both sides of the knife, spans the liners, and is positioned over the rear of the blade. It engages a ramped, tang portion of the knife blade when it is opened. Two omega style

springs, one on each liner, give the locking bar its inertia to engage the knife tang. As a result, the tang is wedged solidly between a sizable stop pin and the AXIS bar itself.

ROLLING LOCK® WITH INDRAFT®



Another patented Benchmade exclusive, the Rolling Lock utilizes a sizable, notched lock-pin which secures against the blade tang when engaged. To disengage, a spring actuated thumb button on the right handle side is drawn back to rotate the lock-pin and free the blade. InDraft, a patented exclusive, is a combination of a slotted liner and a pin in the blade tang working in tandem to generate an inward inertia when closing the blade. This results in one of the safest blade detents available today.

LEVITATOR®

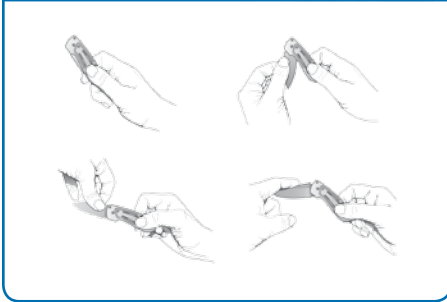
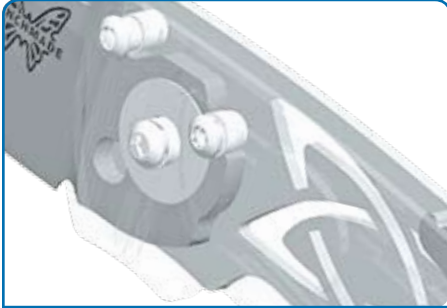
A patented Benchmade exclusive, the knife handle scale/liner is cut to create a spring system which is used to leverage a lock-pin in and out of a notch in the tang of the blade. This spring/pin system effectively locks the blade both in the open and closed positions. (See picture on page 52)

MODIFIED LOCKING-LINER

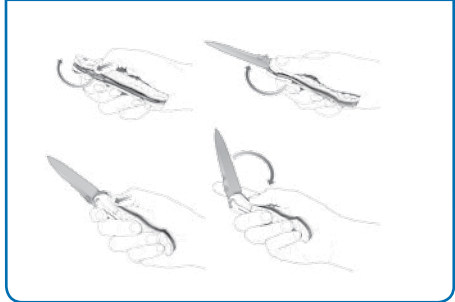
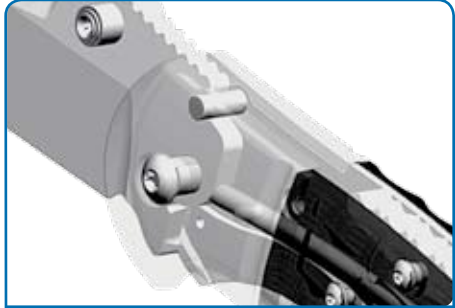
The basic principle is an integral locking bar within the knife liner being stress bent, enabling it to spring into position behind the rear tang of the blade when the blade is opened. The locking bar wedges against the rear of the blade, locking it open until you physically (See picture on page 52)

FUNCTIONAL INNOVATION

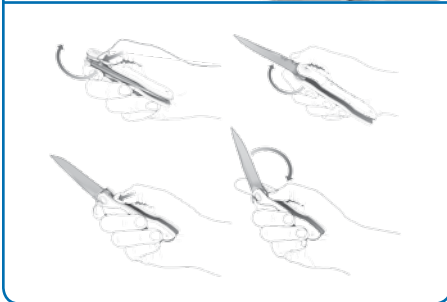
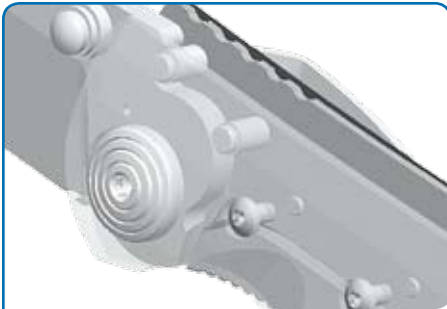
LEVITATOR® CONT.



OPTIMISER®



MODIFIED LOCKING-LINER CONT.



push it clear and close the blade (locking-liners are made either right or left hand specific). And with a modified locking-liner you get a patented feature which helps to enhance the lock function. The function success and function failure of a locking-liner depends greatly on how well it is made and also the quality of the materials used. With Benchmade, you get both..

Another patented Benchmade exclusive, which “optimizes” the knife mechanism if the user chooses to do so... A steel torsion bar running the length of the inside handle spine is secured in place and contacts a surface area of the blade tang. As the blade is closed the torsion bar is tensioned against the blade tang, then as the user rotates the blade open to a 30-degree angle, the torsion bar takes over and continues the blade opening process on its own. The huge advantages to the Optimiser design over other similar concepts, is that the blade must be rotated open to beyond a 30-degree angle, which offers added user control. And even more amazing, the Optimiser can be added or removed at the discretion of the user and the knife/mechanism still functions normally. The choice is yours.

MONOLOCK

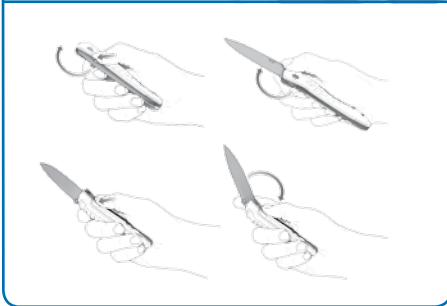
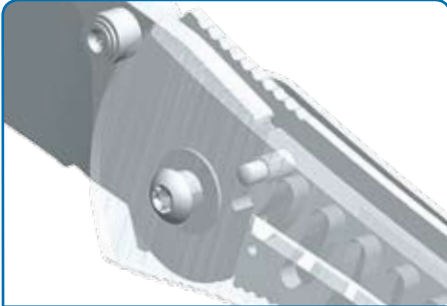
The monolock mechanism is basically a locking-liner on steroids. The knife liner is one in the same as the knife handle, and thus it is designed and made to function as the locking mechanism. Subsequently, a thicker material is used to provide enough surface area to be a functional handle, and in turn creates a larger surface area to lock the blade with. If executed properly, the monolock design rates very highly in strength and function.

LOCK BACK

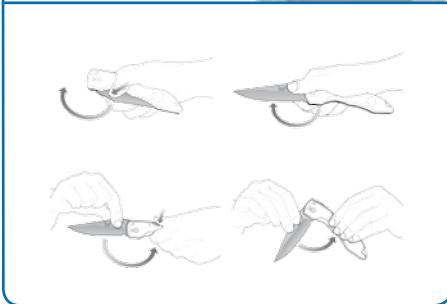
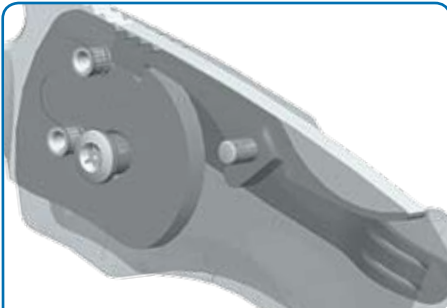
A basic functional lock that is relatively simple and low cost to manufacture. In practice the lock design positions a stop bar parallel to and in direct line with the blade at the upper back or rear tang of the blade to lock the blade open. Basically, as the blade is rotated

FUNCTIONAL INNOVATION

MONOLOCK CONT.

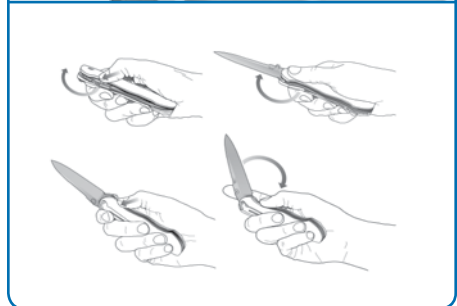
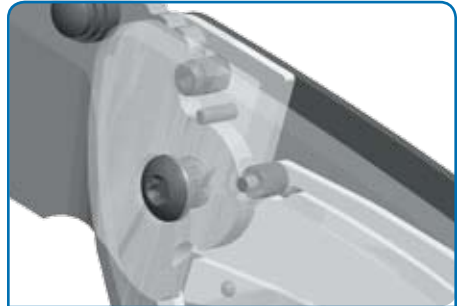


LOCK BACK CONT.



open, the spring tensioned, center pivoted stop bar tracks around the circular portion of the blade tang until it drops or locks into the notched out tang. And to release the lock, the exposed portion of the stop bar in the handle back is depressed into the handle, pivoting the stop bar out, releasing the locked blade.

NITROUS™



Another patented Benchmade exclusive, the Nitrous boosts the blade with ease. As the blade is closed the two torsion arms which run the length of the handle liners are secured in place and make contact with the blade tang. As tensioned against the blade tang, the user rotates the blade open to a 30-degree angle, the torsion arms take over and continue the blade opening process on its own. The huge advantages to the Nitrous design over other similar concepts, is that the blade must be rotated open to beyond a 30-degree angle, which offers added user control. The choice is yours.

NAK-LOK™



Built from the framework of the locking-liner with some innovative updates. The lock engages using tensile strength, compared to the compression hold of more traditional locking-liners. With the Nak-Lok, the possibility of personal injury is greatly reduced with the opening finger never crossing the blades path.

ADVANCED MATERIALS

So what's it made of? Which blade steel is best? Just a couple of the questions we are asked when people see our knives, and the answers come down to this— Benchmade uses a variety of modern materials specially selected for their superior performance characteristics. We strongly believe that if you're going to put this much effort into designing a custom quality cutting tool, then it only makes sense to build it with materials that compliment its form and enhance its function. And in some instances, it's more than just selecting a certain material; it's what we do to it to bring out the extra edge that sets us apart from everyone else. Bottom line, we would much rather overbuild a knife than risk the alternative. We thought you would like that too.

BLADE STEELS & FINISHES

154CM

An American-made premium grade stainless steel originally developed for tough industrial applications. Known for its best all-around qualities, it offers great corrosion resistance with good toughness and edge quality.

S30V

An American-made and developed premium grade stainless steel created especially for knives. It is a powder-made steel with a uniform carbide distribution and clean steel properties. As a blade material, it offers excellent corrosion resistance and superb edge qualities.

D2

An air-hardened tool steel that offers good corrosion resistance and excellent mileage in wear resistance. A good choice for hard use applications.

440C

A high-chromium stainless steel with a terrific balance of good hardness and corrosion resistance. 440C takes a nice edge and is fairly easy to sharpen. An excellent value-priced steel for its performance.

N690

An Austrian made stainless steel, which is comparable to 440C in performance and value. Keen edge qualities with great corrosion resistance.

X15-TN

This French steel was developed for the aircraft industry for jet ball bearings, as well as the medical industry for scalpels. It has the ability to resist rust in the worst of conditions while maintaining ample edge retention. The capability behind this steel is in the

STEEL	CARBON	CHROMIUM	COBALT	NITROGEN	MANGANESE	MOLYBDENUM	NICKEL	PHOSPHOROUS	SILICON	SULPHUR	TUNGSTEN	VANADIUM	HRC
154CM	1.05	14.00	-	-	0.50	4.00	-	-	0.30	-	-	-	58-61
ATS-34	1.05	14.00	-	-	0.40	4.00	-	0.03	0.35	0.02	-	-	58-60
S30V	1.45	14.00	-	-	0.50	2.00	-	-	0.50	-	-	4.00	58-60
X15-TN	0.40	16.00	-	-	-	2.00	-	< 0.02	-	< 0.005	-	0.35	58-60
M2	0.85	4.15	-	0.30	0.30	5.00	0.30	-	0.30	-	5.50-6.75	1.95	58-60
D2	1.50	12.00	-	0.30	0.60	1.00	0.30	-	0.60	-	-	1.00	60-62
440A	0.65	17.00	-	-	1.00	0.75	-	0.04	1.00	0.03	-	-	55-57
N690	1.07	17.00	1.50	-	0.40	1.10	-	-	0.40	-	-	0.10	58-60
440C	0.75	17.00	-	-	0.75	0.75	-	0.04	1.00	0.03	-	-	58-60
8CR14MOV	0.75	14.50	-	-	1.00	0.20	-	0.03	1.00	0.03	-	0.20	57-58
AUS-8	0.75	14.00	-	0.49	0.50	0.10	0.49	0.04	1.00	0.03	-	0.20	58-59
T095	1.00	-	-	-	0.40	-	-	0.04	-	0.05	-	-	57-60
AUS-10	1.00	14.00	-	0.49	0.50	0.10	0.49	0.04	1.00	0.03	-	0.20	59-60
BG-42	1.15	14.50	-	-	0.50	4.00	-	-	0.30	-	-	1.20	61-63
CPM(T)440V	2.15	17.00	-	-	0.40	1.00	-	-	0.40	-	-	5.50	55-57
9CR13COMOV	0.85	13.50	1.00	-	1.00	0.20	-	-	-	-	-	0.20	58-60

way it is manufactured, resulting in the finest steel for use in harsh environments such as salt water. The edge on an X-15-TN blade is easier to maintain.

DAMASCUS

A specially forged, layered steel made up of a variety of steels. It offers remarkable toughness and edge quality. For finishing, the surface layers or lines are exposed through an acid etch which creates a very unique visual effect. Used in special applications due to its inherent high cost and artistic nature.

BK1® COATING

A matte black coating that provides excellent corrosion protection exceeds the ASTM-117 spec for saltwater, and possesses higher scratch resistance.

BT2® COATING

A proprietary blade coating that is Xylan® based to provide excellent corrosion resistance which exceeds the ASTM-117 spec for saltwater and increases surface lubricity.

BP1 COATING

Black Pearl (BP) is a PVD (physical vapor deposition) coating made up of Titanium Carbo-Nitride (TiCN). It is a darker, near black, scratch-resistant coating with nice decorative qualities.

COMBOEDGE®

It denotes our partial serration on the plain edge blade configuration. Benchmade's serration pattern offers ideal cutting ability for fibrous materials such as webbing, straps, netting, or rope.

HEAT-TREATMENT

Over the years we have developed a "special recipe" for heat-treating our blade steels. This process maximizes the steel's molecular structure for a custom toughness and Benchmade superior performance. All steels may be created equally, but that is where it stops when it comes to Benchmade.

HANDLES

CARBON FIBER

A contemporary, premium composite of thin strands of carbon tightly woven into various weave patterns, then set in resin, which is most commonly clear but can be color tinted. It offers great looks and is exceptionally strong for its minimal weight.

MICARTA

Layers of linen cloths soaked in resin and pressured together. Most commonly used on more stylish knives due to its rich color finish qualities.

6061 T-6 ALUMINUM

A nonferrous metal originally developed as a premium aircraft grade aluminum, it offers a solid handle form and function at a nominal weight. Most typically color anodized.

KRATON®

A thermoplastic elastomer offering excellent flexibility and memory elasticity even under harsh conditions. It is over-molded onto the handle for added grip surface and tactile qualities.

NORYL GTX®

A modern engineered plastic offering high-strength, low flex, and lightweight properties. Molded to form.

G10

An extremely durable makeup of layers of fiberglass soaked in resin, then highly compressed and baked. Impervious to moisture or liquid and physically stable

under climate change. Most commonly black, but is available in various colors too.

ZYTEL®

A lightweight glass-filled nylon engineered for strength and durability. Widely used throughout the auto industry in engine-related components. Molded to form.

KYDEX®

A mixture of acrylic and PVC which offers outstanding impact and chemical resistance as well as fire retardancy. Widely used in the auto and aerospace industry. Molded or thermo-formed.

DELIRIN®

A lightweight and durable engineered polymer with low-wear properties. Used throughout the auto industry. Molded to form.

VALOX®

A reinforced resin with excellent stiffness, strength, and dimensional stability. Molded to form.

ANODIZATION

An electrochemical process used for adding color to titanium surfaces. A combination of chemical bath and electrical voltage level generates the desired color. A similar process is used for aluminum with the addition of a chemical coloring bath.

LINERS

6AL 4V-TITANIUM

Considered an exotic metal alloy (Titanium + 6% Aluminum + 4% Vanadium) with an excellent strength to weight ratio which offers exceptional performance in a knife. Titanium is corrosion resistant to natural elements as well as many industrial chemicals.

420J STAINLESS STEEL

A common knife grade with low carbon, high chromium content steel which offers excellent bend toughness and wear ability. It offers excellent corrosion resistant characteristics as well. Also used in handles.

SHEATHS

BALLISTICS NYLON

A heavy duty woven nylon fabric originally developed for use in bullet proof vests and body armor. Offers great lightweight sheath durability.

SANTOPRENE®

A thermoplastic elastomer which is molded to specification. It offers excellent flexibility with high tear strength and fatigue resistance. Resistance to many harsh chemicals. These features contribute to improved performance in a range of tough jobs.

LEATHER

A natural material dating back to man's earliest beginnings in the knife world. It can be easily dyed and tooled for desired visual effect. Offers traditionally accepted levels of performance and design capability.

The following are registered trademarks of their respective companies: Delrin®, E.I. du Pont de Nemours & Company; Zytel®, E.I. du Pont de Nemours & Company; Kydex®, Kleelex Company; Noryl GTX®, General Electric Company; Valox®, General Electric Company; Xylan®, Whitford Worldwide Corporation; Kraton®, Kraton Polymers Company; Santoprene®, Advanced Elastomer Systems

MODEL FEATURE CODES

These codes appear after the Benchmade model numbers. They identify particular feature variations within each model. (Example: Model 140SBK is a Model 140 knife which features partially serrated ComboEdge and BK1 black corrosion resistant coating on the blade). We may do a limited edition of a model where the model number does not change but does get an addition to the ending, such as -701 (example: Blue Class 707-701 SEQUEL®).

(NO CODE)	Plain edge/no blade coating
S	ComboEdge™ (partially serrated)/no blade coatingz
BK	Plain edge black corrosion resistant coated blade
SBK	ComboEdge (partially serrated) black corrosion resistant coated blade
B	Black anti-reflective, corrosion resistant coated blade (Red Class)
SB	ComboEdge (partially serrated)/ black anti-reflective coated blade (Red Class)
OD	Olive Drab color handle
SL	Skyline Camouflage™ patterned handle
SN	Sand Camouflage color handle
CF	Carbon Fiber Handle
-RED	Red color handle
SLV	Silver color handle
-BLU	Blue color handle
-YEL	Yellow color handle
-BLK	Black color handle
-PNK	Pink color handle
P	Mother-of-Pearl
A	Abalone
BT	BT2® black corrosion resistant coated blade
BP	BP1 Charcol color, scratch resistant coating
-TK	Tether Kydex® friction-fit sheath
W	Soft sheath for rescue hook
ADC	Army Digital Camouflage color sheath
T	Trainer blade with red handle
TR	Bali-song trainer with red handle
D2	D2 Blade Steel
H20	X15-TN steel, 100% corrosion resistant
DM	Damascus Blade
CP	Clam pack

Every effort is made to ensure the accuracy of the prices and information presented in this catalog. However, we reserve the right to rectify any and all errors prior to any sale transactions. This catalog is produced annually. Check website for the latest information.

Prices shown are at suggested retail (U.S. currency). Actual purchase prices may vary. All pricing and product specifications are subject to possible change without prior notice.

EXTRAS MAINTENANCE

There's more to Benchmade than just great knives. We also offer you the service and support to back up or enhance the performance of our knives. From the finest customer service in the industry to branded clothing and specialty items—it's all available for you to take advantage of. And if you find that something is missing or needs improvement, we want to hear about it.



BLUE BOX

Occasionally you may want to adjust blade tension, remove the carry-clip or simply check for any loosened screws, so we offer this handy kit for those purposes. Kit includes various bit sizes, and bit holder/extension all self-contained in a molded plastic case which doubles as the handle. Made in Taiwan.

981084F Blue Box \$12



BLUELUBE™/BLUELUBE CLEANER

Introducing a newly formulated technology to help keep those knives tuned for smooth function. Start off with BLUELUBE Cleaner to flush and prep the moving parts for a fresh application of BLUELUBE. BLUELUBE not only lubricates, it prevents rust and corrosion, too. Both formulas work in tandem to enhance overall knife function and keep things moving like a well-oiled machine (without the build up). Made in USA.

983901F BLUELUBE Cleaner (4oz bottle) \$7.95

983900F BLUELUBE (1.25oz bottle w/ nozzle) \$6.50



BENCHMADE KNIFE SHARPENERS

For a quick and easy to use field edge when you're out in the middle of nowhere. Both models use micro carbon carbide sharpening blades placed at a 60° included angle, which you draw the knife edge/blade through to put an effective field edge on.

(A.) The Tactical Pro is the larger of the two at 3.00" in length, yet stows easily for go everywhere carry. This model also features a ceramic honing surface on one facing to provide for a quick means to smooth the edge.

983902F Benchmade Tactical Pro Sharpener \$24.95

(B.) The Mini-Tactical Pro is a pocket carry at 2.00" in length. You still get the same great field sharpener performance. Does not include the honing surface.

983903F Benchmade Mini Tactical Pro Sharpener \$19.95

EXTRAS ATTACHMENT

FOLDER POUCH (MOLLE® Compatible)

These snap-over hood closure pouches secure the knife well and can be used for belt carry with the Malice® clip (included), and are Molle system enabled too. Heavy stitch and elasticized fit offer a true fit. Available in 3 color options. Made in USA

- A. 983466F Black MOLLE Folder Pouch \$20
- B. 983853F Foliage Green MOLLE Folder Pouch \$20
- C. 983467F Coyote MOLLE Folder Pouch \$20

140/141 FIXED SHEATH (MOLLE® Compatible)

Sheaths come standard with Malice clip and Velcro® adjustable belt hanger for belt carry. Heavy stitch and hard liners stow the knife securely and a snap-around closure snugs the handle. Available in 3 color options. Made in USA.

- D. 983468F Black MOLLE Fixed Soft Sheath \$50
- E. 983854F Foliage Green MOLLE Fixed Soft Sheath \$50
- F. 983469F Coyote MOLLE Fixed Soft Sheath \$50

155/158 FIXED SHEATH KIT

Based on the 140/141 soft sheaths. Built tough enough for any mission. Made in USA. (Only Black Pictured)

- G. 984143F Black MOLLE Fixed Sheath \$60
- 984145F Coyote MOLLE Fixed Sheath \$60
- 984144F Foliage Green MOLLE Fixed Sheath \$60

5HOOK/7HOOK POUCH (MOLLE® Compatible)

These Velcro® hood closure pouches secure the 5 Rescue Hook for belt carry, and are MOLLE system enabled with the Malice® clip (sold separately). Available in 3 colors. Made in USA.

- H. 981494F Black MOLLE 5 Hook Pouch \$8
- I. 983856F Foliage Green MOLLE 5 Hook Pouch \$8
- J. 983855F Coyote MOLLE 5 Hook Pouch \$8
- K. 984166F Black MOLLE 7 Hook Pouch \$10
- L. 984205F Foliage Green MOLLE 7 Hook Pouch \$10
- M. 984204F Coyote MOLLE 7 Hook Pouch \$10

MALICE CLIPS

Injection molded connecting-clip to attach sheaths to Molle systems, or to use as a belt loop style carry. Clips securely closed with a snap-lock.

- N. 983551F Large Malice Clip (4.75" size) \$2
- O. 983550F Small Malice Clip (3" size) \$1.50

SHEATH ACCESSORIES

We offer several carry accessories so you can modify your Benchmade sheaths to suit your carry needs: (NOTE: Some items are limited to model specific applications, and individual lash tabs not pictured).

- P. 981607F Metal-Clip w/lash tab
 - (fits Model 5, 100, 140, 141, 145, 160, 175, 10510) \$10
- Q. 981608F Molded Belt-Loop w/bridge
 - (fits Model 100, 140, 141, 145) \$10
- R. 981609F Tek-Lok®, large size \$15
- S. 981610F Perma-Clips® for large Tek-Lok (set of 2) \$4
- T. 981611F Carry-Strap w/4-way lash-tab \$10
- 981612F (no pic) Lash-Tab (sewn onto clothing or gear) \$5

FOLDER POUCH/SOFT SHEATHS

Snap-buckle closure flap, can be worn as a belt carry, or lashed to a shoulder strap with the Velcro lash straps. Made in China.

- U. 983170F Folder Pouch, black \$15

There are two different sizes (small 1.625" W x 5.00" D; large 2.00" W x 5.25" D) for folders, and a 4-inch Bali-Song sheath (not pictured). All soft sheaths are 1680 denier poly-ballistic nylon with liners and Velcro® closures. Made in USA.

- V. 981086F Soft Sheath, Small (1.625" W x 5" D), black \$10
- 981087F Soft Sheath, Large (2" W x 5.25" D), black \$10
- 981717F Soft Sheath, Bali-Song Series, black \$10



EXTRAS CARRY & CUSTOMIZE

BENCHMADE BRAG-BAG™ SYSTEM



BRAG-BAG BASE SHELL

A heavy constructed tri-fold folio (17.75" W x 10.50" folded H x 33" flat H) that can be used as is, or you can add up to two additional pages. Inside features 10 individual knife slot areas (6" D x 3" W) with Velcro closures and clear vinyl visibility for folders. And, behind the knife slots are full-width zippered flat files to accommodate catalogs and such. On the outer shell back are a zippered utility storage pouch, Molle® webbed area and a clear card holder. Adjustable strap, snap-buckle closures; padded handle and an adjustable (1.50" W x 48" L) shoulder carry strap is removable. Additional pages (sold separately) are lashed in with a center cinch strap. Made in China.



BRAG-BAG PAGES

Of the same heavy construction as the shell, pages feature individual knife slot areas with clear view areas and Velcro closures. These also have the full-width zippered flat files (one on each page side). Folder page (16.25" W x 20" L) has 10 individual knife slots with outer edge access. Fixed blade page (same page size as folder), has 4 individual knife slots (14" L x 3.50" W) with both ends accessible. Made in China.

983445F Brag-Bag Base Shell \$60

983446F Brag-Bag Folder Page \$20

983447F Brag-Bag Fixed Blade Page \$20



BENCHMADE KNIFE ATTACHÉ

Now you can keep all of those Benchmades in one place... This soft carry-case holds up to 12 folders. Its shell is constructed of a heavyweight denier and is stitched plenty strong for lasting wear. A deep plush interior lining ensures scratch-free storage. A total of eleven, 1.50 x 5-inch pocket, with six pockets featuring a split-window for easier small knife retrieval. Velcro® flap closure holds everything in place, and proudly displays the Benchmade name embroidered on its face. Made in China.

983445F Knife Attaché \$35



610/615 HANDLE SCALE KITS

610A Winewood Handle Kit \$50, 610B Silver G10 Handle Kit \$120, 610C Ivory Micarta Handle Kit \$80, 610D Black G10 Handle Kit \$60, 610E Carbon Fiber Handle Kit \$140, 615A Winewood Handle Kit \$40, 615B Silver G10 Handle Kit \$100, 615C Ivory Micarta Handle Kit \$70, 615D Black G10 Handle Kit \$50, 615E Carbon Fiber Handle Kit \$120

EXTRASCLOTHING

PROPERTY OF BENCHMADE TEE

White tee with "Property of Benchmade Knife Co." on front and stylized 2007 butterfly on left sleeve. S, M, L, XL, 2XL \$25

PROPERTY OF BENCHMADE TEE

Ash tee with "Property of Benchmade Knife Co." on front and stylized 2007 butterfly on left sleeve. S, M, L, XL, 2XL \$25

SPEED BUTTERFLY TEE

White tee with "speed butterfly" on chest and text-mark logo on sleeve, and Benchmade butterfly on back left shoulder. S, M, L, XL, 2XL \$25

SPEED BUTTERFLY TEE

Black tee with "speed butterfly" on chest and text-mark logo on sleeve, and Benchmade butterfly on back left shoulder. S, M, L, XL, 2XL \$25

ONE CHANCE, ONE CUT TEE

Black tee with slogan on front, white butterfly logo on left back, and text-mark logo on sleeve. M, L, XL, 2XL \$25

FAILURE IS NOT AN OPTION TEE

Black tee with slogan on front, white butterfly logo on left back, and text-mark logo on sleeve. M, L, XL, 2XL \$25

PROPERTY OF BENCHMADE HOODY

Ash hoody with "Property of Benchmade Knife Co." on front and stylized Benchmade logo on left sleeve. S, M, L, XL, 2XL \$40

SPEED BUTTERFLY HOODY

White hoody with "speed butterfly" on front and stylized Benchmade logo on left sleeve, and speed bfly on hood. S, M, L, XL, 2XL \$40

SPEED BUTTERFLY HOODY

Black hoody with "speed butterfly" on front and stylized Benchmade logo on left sleeve, and speed bfly on hood. S, M, L, XL, 2XL \$40

GRAYFLY HOODY

Ash hoody with butterfly logo on hood, and Benchmade wordmark logo down left sleeve. S, M, L, XL, 2XL \$40

BLACK/GRAY SPORT JACKET

Designer styled urban look in a lightweight jacket. A nylon/cotton shell with nylon mesh and taffeta lining. Zippered front, adjustable cuffs, zippered sleeve pocket and other functional features. S, M, L, XL, 2XL \$80

HOODED BLUE TEAM JACKET

Royal blue water repellent nylon shell with gray fleece lined hood and body. Zippered front, draw-cord bottom, elastic cuffs and draw-string hood. S, M, L, XL, 2XL \$65

COLOR POLOS

All color shirts feature silver color thread embroidered logo. Available in Royal Blue, Black or Red. S, M, L, XL, 2XL \$40

WHITE POLOS

All shirts feature silver color thread embroidered logo with choice of blue, black or red color butterfly in logo. S, M, L, XL, 2XL \$35

REVERSIBLE COLOR VESTS

Zippered front, zippered pockets and elastic waistband. Benchmade logo embroidered in black on left chest. Available in yellow, blue, red and titanium gray. Available in sizes S, M, L, XL, 2XL \$60

FLEXFIT® HAT/ BLUEHAT

Black Flexfit with silver embroidered logo on facing and American flag embroidered on front left panel. S-M, L-XL \$20
Blue with Velcro® adjust and silver embroidered logo on front USA flag embroidered on left side. One size fits all \$18

LOGO BEANIE

Dark gray with black trim stretch cap with embroidered logo on front left panel. One Size Fits All \$12



SPECIAL SERVICES



LIFESHARP® SERVICE

There's never a dull moment with a Benchmade. That's right! We will gladly resharpen your Benchmade knife to a factory razor sharp edge (service does not apply to any serrated portion of the blade). If you prefer us to sharpen your blade, or if you may have neglected to maintain your edge for a while, simply ship your knife to us. We'll not only sharpen it, we will also inspect the knife for any warrantied repairs and "tune" the knife for optimum performance. Simply ship the knife to the Benchmade address, postage paid and insured. Please enclose your return shipping address with \$5.00 to cover return shipping charges.

PERSONALIZED LASER MARKING

Put your name on it. Make it yours. Commemorate an event or outfit the club. Whatever the circumstance, now you can have your logo or artwork laser-etched onto any of the Benchmade knives. Depending on the particular model, the mark can be placed either on the blades, or in some models, on the handles.

If you are interested in this special service, simply call a Benchmade customer service representative at 800.800.7427. Basic set-up charges and quantity restrictions do apply.

THE ULTIMATE SOURCE BENCHMADE.COM

Stay connected with everything Benchmade. From views of every Benchmade model configuration to creating a list of your personal favorites for future reference and improvement of your Benchmade cyberspace experience. For the new Benchmade visitor, there's expanded product and technical information to make your "initiation" process easier. And for you Benchmade addicts, you can get your fix of the latest model introductions as well as share your knife knowledge and Benchmade experiences with the rest of the world. The web site also has a handy dealer locator so you can find your nearest source for cutting edge innovation close to home. Or, if you prefer, you can buy direct from the factory and have it shipped right to your door. So your inside track on everything Benchmade is only a click away at BENCHMADE.COM.

BENCHMADE.COM

AND THERE'S MORE! IF YOU LIKE WHAT YOU SEE HERE, CHECK OUT THE FULL LINE OF BENCHMADE GEAR ONLINE.



WARRANTY

LIMITED LIFETIME WARRANTY

Benchmade Knife Company, Inc. ("Benchmade") warrants to the original owner that this knife will be free from defects in materials and workmanship. Benchmade will, without charge, repair or replace, at Benchmade's option, any knife returned for Warranty work and found to be defective by Benchmade. The knife must be shipped by owner prepaid and insured freight, together with a description of the problem, and must be accompanied by the original bill of sale, your charge or credit card receipt or any satisfactory proof of the original date of purchase from a retail dealer. Any automatic knife returned for Warranty service from outside of Oregon must also include a copy of the owner's active police or military identification, or be returned through the authorized Benchmade dealer from whom the knife was originally purchased.

NO EXCEPTIONS WILL BE MADE.

WHAT IS COVERED

This Warranty covers replacement parts and labor

WHAT IS NOT COVERED

This Warranty does not cover normal wear, resharpener of the blade, damage caused by neglect, misuse or the failure to perform normal or necessary maintenance, disassembly of any knife by any person other than Benchmade's Warranty department, or shipping costs for returned knives.

Do not use your new knife as a screwdriver, prybar, chisel or punch. Do not throw your knife or use it for any purpose other than cutting. Do not disassemble your knife. Do not sharpen your knife on a power grinding wheel. Any of these acts will void your Warranty. MINIMUM CHARGE TO REASSEMBLE A KNIFE WHEN THE WARRANTY HAS BEEN VOIDED IS \$20 PLUS PARTS.

Repair or replacement as provided under this Warranty is the exclusive remedy of the consumer. Benchmade shall not be liable for any incidental, reliance, or consequential damages or breach of implied Warranty on this product, including any damage to person or property. Benchmade's liability under any circumstances is limited to the purchase price. Some states do not allow exclusion or limitation of incidental or consequential damages, so the above limitations or exclusions may not apply to you. This Warranty gives you specific legal rights, and you may also have other rights which vary from state to state.

This knife has only one use, as a cutting tool. Benchmade's knives carry no warranty except as expressly contained herein. Benchmade disclaims all warranties of merchantability and fitness for a particular purpose other than for use as a cutting tool. There are no warranties which extend beyond the description contained herein.

Please review the Warranty information and proper knife care instructions provided with each knife.

ORDERING OF AUTOMATIC KNIVES

Automatic knives are available for sale in Oregon state. All orders for automatic knives must be on departmental purchase order or letterhead with wording to the effect that the knives will be used as duty items. All orders for automatic knives must be faxed or mailed. We cannot accept phone orders for automatic knives. The sales of automatic knives is Federally regulated (refer to catalog inside cover for Federal Statutes), always check permissibility within your state or locality as non-Federal personnel may be precluded from ownership or use by State laws. **NO EXCEPTIONS WILL BE MADE.**

SHIPPING OF AUTOMATIC KNIVES

All AUTOMATIC knives shipped by Benchmade will be done via the following couriers, UPS, FedEx, etc. and CANNOT be shipped through the U.S. Postal Service. Also please note that all returns of automatic knives must be shipped via alternate couriers, UPS, FedEx, etc. This in accordance with the policies of the U.S. Postal Service. Thank you.

ARE ASSIST OPEN KNIVES LEGAL?

The way that the Benchmade assist opener knives are designed and built, they are not considered an automatic or switchblade under Federal interpretations. The Optimiser® and new Nitrous™ assist mechanisms must be initiated with the user manually overcoming the pull of the torsion bar or, split liner systems to activate the assist function. This is done through the use manually or, physically having to engage the blade first before opening. And, as an added safety feature, the Benchmade assist openers must have their blades rotated open to an approximately 20 to 30-degree open angle BEFORE the assist engages. This eliminates the need and complication of a secondary safety mechanism.

Even though the Benchmade assist opener models are not classified as automatics or switchblades, it is still recommended that the user research and verify the legalities in their own specific areas. Knife laws and regulations are subject to local interpretations and may change frequently.

The purchase, use and ownership of knives is subject to a wide variety of local laws and regulations. It is impossible for Benchmade Knife Company to know or interpret all of these laws. It is the responsibility of the buyer to be aware of the laws which govern them in their specific area wherever that may be. We encourage the responsible ownership and use of knives as one of mankind's oldest tools. Be smart and be safe.



BENCHMADE IS PROUD TO BE A CHARTER MEMBER OF AKTI. GET INVOLVED. HELP TO PROTECT YOUR KNIFE FREEDOMS.

JOIN AKTI TODAY!

877.752.8770 OR WWW.AKTI.ORG

The following are trademarks of Benchmade Knife Company, Inc., Oregon City, Oregon USA: Brag Bag; Blue Lube; Blue Morpho; Instigator; Rukus; Skirmish. • The following are registered trademarks of Benchmade Knife Company, Inc., Oregon City, Oregon USA: Benchmade; Activator; Ambush; Apparition; Ares; AXIS; Bali-Song (butterfly logo); BenchKole (BK); Benchmite; BILT (Bolted In-Line Tang); BK1; BT2; ComboEdge; Gamer; Gravitator; Griptilian; InDraft; Juju; LEVITATOR; LifeSharp; MonoChrome; Nimravus; Offsider; Opportunist; Optimiser; Outbounder; Pika; Presidio; Prestigedges; Rant; Reflex; Resistor; Sequel; Spine; Stryker; Switchback. • NOTE: We reserve the right to make any design and/or material modifications without prior notice. • Benchmade products are manufactured under one or more of the following patents: Safety Lock for Automatic Folding Knife- U.S. Patent No. 5,822,866; Blade Lock Mechanism for Folding Knife (Modified Locking Liner)- U.S. Patent No. 5,755,035; Pocket Knife With Lock (AXIS Lock)- U.S. Patent No. 5,737,841; Folding Knife (Design, Stryker Model)- U.S. Patent No. D408,706; Knife Blade (Design, Stryker Model)- U.S. Patent No. D409,070; Folding Knife With Grooved Handle (Design, Model 350, 3550)- U.S. Patent No. D397,017; Grooved Knife Handle (Design, 350, 3550)- U.S. Patent No. D397,020; Folding Knife (Design, Ascent Model)- U.S. Patent No. D385,173; Knife Design (Design, Ascent Model)- U.S. Patent No. D384,871; Portion Of A Blade For A Knife (Design, Pardue Model 720 Knife)- U.S. Patent No. D426,132; Knife Blade (Design Model 140/145)- U.S. Patent No. D425,389; Knife Handle (Design, Model 705)- U.S. Patent No. D428,789.

Other Patents Pending.

HK
KNIVES

Exclusive designs, flawless craftsmanship and a solid reputation to back it up are what make these serious tools. So whether you are an HK gun enthusiast or someone who is just looking for another reason to buy a great knife, these are it.

For product information go to HK-KNIVES.COM or, your local authorized Benchmade dealer.

HK is a registered trademark of Heckler & Koch inc.

NEW PRODUCT

1100 PENSERIES

BENCHMADE design

- Ergonomic Pattern Provides Superior Grip and Comfortable Texturing
- All Surfaces Have Been Anodized for Both Appearance and Wear
- CNC Machined Body, Cap and Pen Grip
- Non-Reflective Components for Tactical Applications
- Ink Cartridges Manufactured for Benchmade by Fisher Pen Company
- BP-1 Coated Stainless Pen Clip



1100-2

1100-1

BLACK AND BLUE INK
REFILLS AVAILABLE

1100DESIGNER	Benchmade
PEN CAP	Cap Snaps Securely, Both Open and Closed with Internal O-Ring Fitting
PEN SPECS	Charcoal Anodized Body, and Blue or Jet Black Pen Grip; CNC Machined 6061 T-6 Aluminum Body, Cap and Grip; Removable BP-1 Coated Stainless Clip; Replaceable Fisher Space Pen Ink Cartridges (Available Through Benchmade)
PEN CONFIGURATIONS	1100-1 \$120 (Anodized Charcoal Exterior w/Anodized Blue Pen Tip) - Blue Ink 1100-2 \$120 (Anodized Charcoal Exterior w/Anodized Jet Black Pen Tip) - Black Ink

PEN LENGTH	3.47" (8.81cm)
PEN THICKNESS	0.50" (1.27cm)
OPEN W/OUT CAP	5.25" (13.34cm)
CLOSED W/ CAP	5.33" (13.54cm)
WEIGHT	1.30oz (36.85g)
COUNTRY OF ORIGIN	USA

IT'S AUTOMATIC

Benchmade Knife Company manufactures what are arguably the finest automatic* knives available in the world today. Out in the field failure is not an option, this is why we continue to build our knives to exceed industry standards and expectations, and most importantly that of the user.

That's how you produce a Benchmade - not just a knife.

It's Benchmade.

*Within the United States, automatic open knives are subject to compliance with the Federal Statutes of interstate commerce.

AUTOS

5500 MINI-AUTOPRESIDIO®

PARDUE design

Patented Bi-Directional Handle Tread Design

All Components are Non-Reflective

Drop-Point Blade Shape

Integrated Safety



5500DESIGNER	Mel Pardue
LOCKING MECHANISM	Auto AXIS Pull Release with Integrated Safety
BLADE STYLE & OPENER	Drop-Point; AXIS Button Release w/Auto Open
BLADE STEEL	154CM Stainless Steel (58-61HRC)
HANDLE SPECS	Black Anodized Machined 6061 T-6 Aluminum; Double 420J Liners; Movable Carry-Clip
SHEATH	N/A
BLADE CONFIGURATIONS	5500 \$210, 5500S \$210, 5500SBK \$222

BLADE LENGTH	2.97" (7.54cm)
BLADE THICKNESS	0.115" (2.92mm)
OPEN	7.12" (18.08cm)
CLOSED	4.15" (10.54cm)
WEIGHT	3.70oz (104.89g)
HANDLE THICKNESS	0.497" (12.62mm)
COUNTRY OF ORIGIN	USA



BENCHMADE KNIFE COMPANY, INC
300 BEAVERCREEK ROAD
OREGON CITY, OREGON 97045 USA

TELEPHONE
800.800.7427 503.655.6004

FAX
503.655.6223 503.655.7922

EMAIL
INFO@BENCHMADE.COM

WEB
BENCHMADE.COM

BENCHMADE[®]
300 BEAVERCREEK ROAD
OREGON CITY, OR 97045

PRSRST STD
US POSTAGE
PAID
OREGON CITY, OR
PERMIT NO. 25

All trademarks and copyrights are the property of
Benchmade Knife Company, Inc.
Notice, one or more patents may apply.
©2008 BENCHMADE KNIFE CO. INC • Printed in USA